

# Mini Camera (Black)

*A LEGO® project  
by Chris McVeigh  
[chrismcveigh.com](http://chrismcveigh.com)*

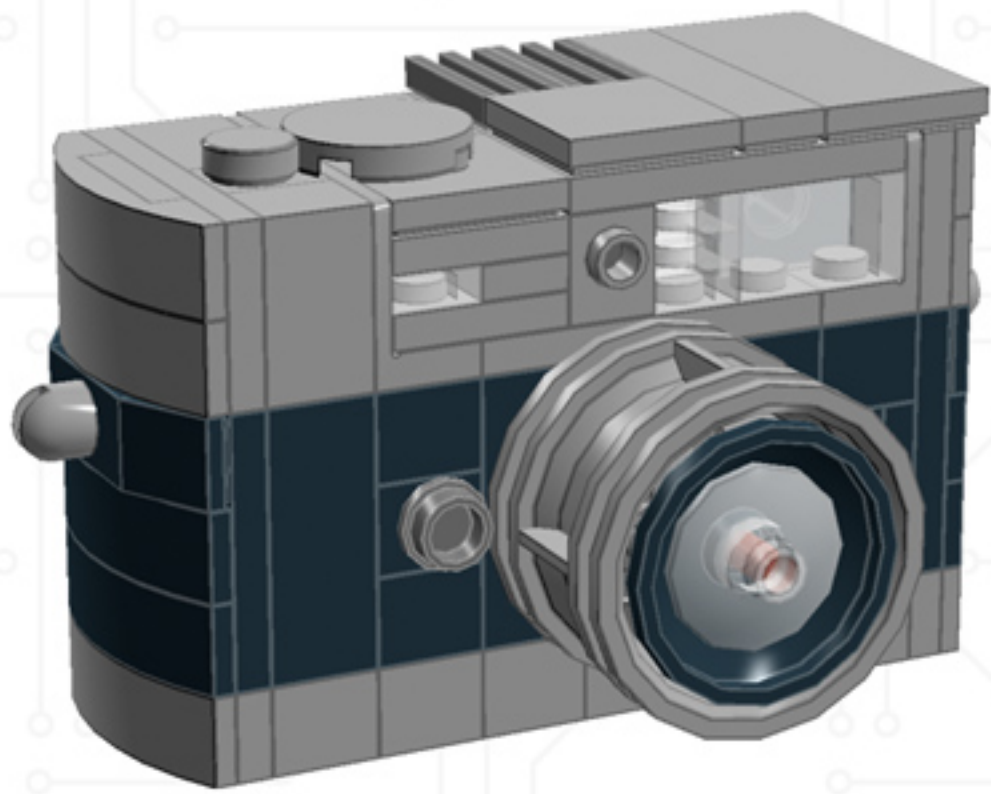


Image	Element ID	Color	Description	Quantity
	300426	Black	Brick, 1x2	5
	362226	Black	Brick, 1x3	6
	301026	Black	Brick, 1x4	2
	4558954	Black	Brick, Modified, 1x1 W. 1 Stud	6
	4214559	Black	Brick, Modified, 1x1 W. 2 Studs	1
	474026	Black	Dish, 2x2	1
	4180087	Black	Dish, 3x3	1
	302326	Black	Plate, 1x2	3
	302126	Black	Plate, 2x3	7
	379426	Black	Plate, Jumper, 1x2	8
	4504382	Black	Slope, 30°, 1x1x2/3	6
	4613153	Black	Slope, Curved, 1x4 (No Studs)	4
	654126	Black	Technic Brick, 1x1	1
	370126	Black	Technic Brick, 1x4	2
	4633691	Flat Silver	Plate, Round, 1x1	1

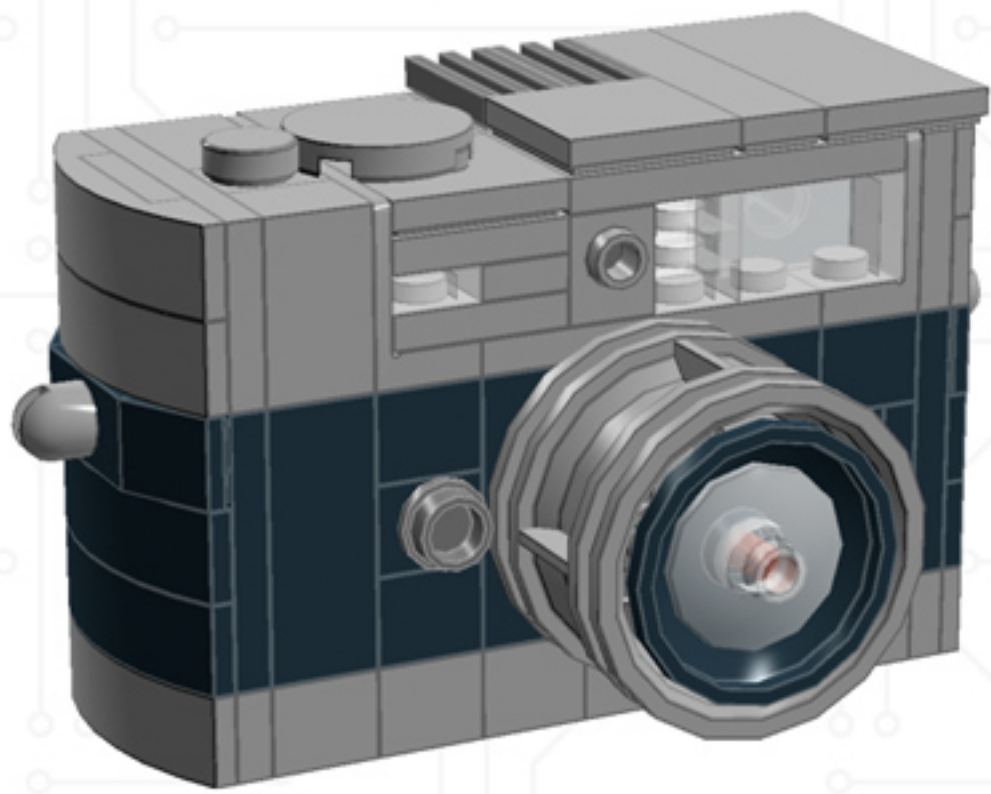


Image	Element ID	Color	Description	Quantity
	4619636	Flat Silver	Tile, Modified, W. Grille	2
	4655241	Flat Silver	Tile, Round, 1x1	1
	4654580	Light Grey	Bracket, 2x2, Inverted	6
	4211389	Light Grey	Brick, 1x1	3
	4211388	Light Grey	Brick, 1x2	4
	4211428	Light Grey	Brick, 1x3	1
	4211394	Light Grey	Brick, 1x4	6
	4558953	Light Grey	Brick, Modified, 1x1 W. 1 Stud	2
	4221775	Light Grey	Mini Antenna	2
	4211398	Light Grey	Plate, 1x2	2
	4211445	Light Grey	Plate, 1x4	3
	4211397	Light Grey	Plate, 2x2	2
	4211395	Light Grey	Plate, 2x4	2
	4211452	Light Grey	Plate, 2x6	2
	4243797	Light Grey	Plate, 4x4	2

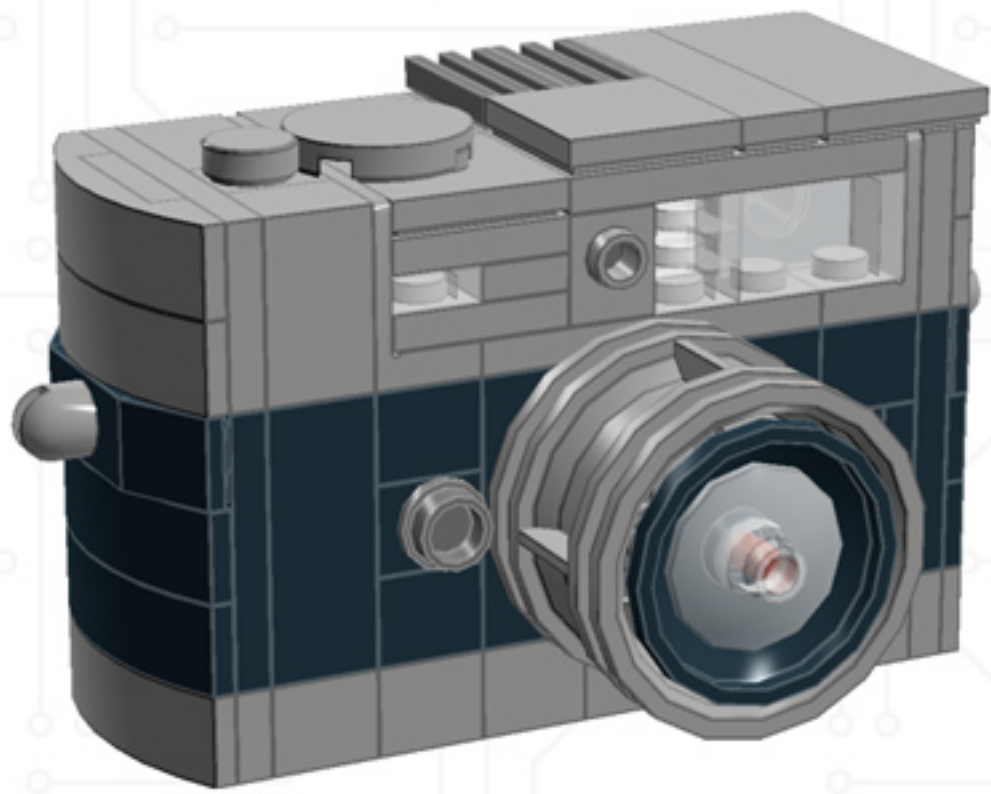
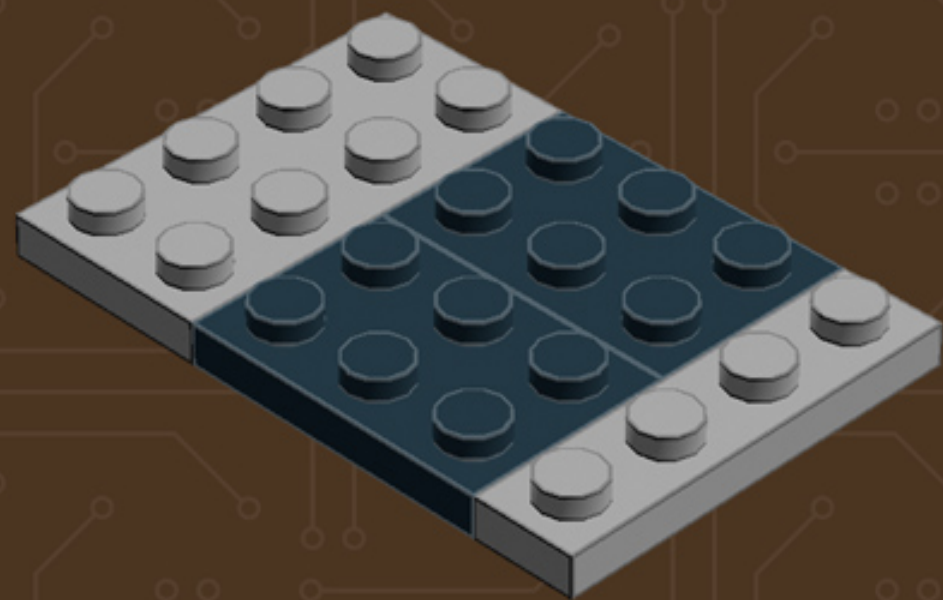
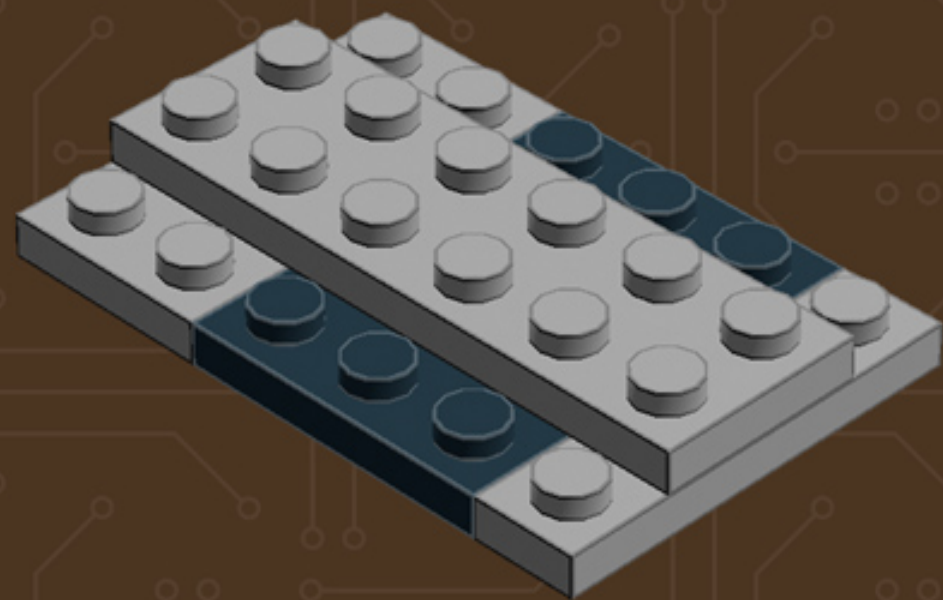
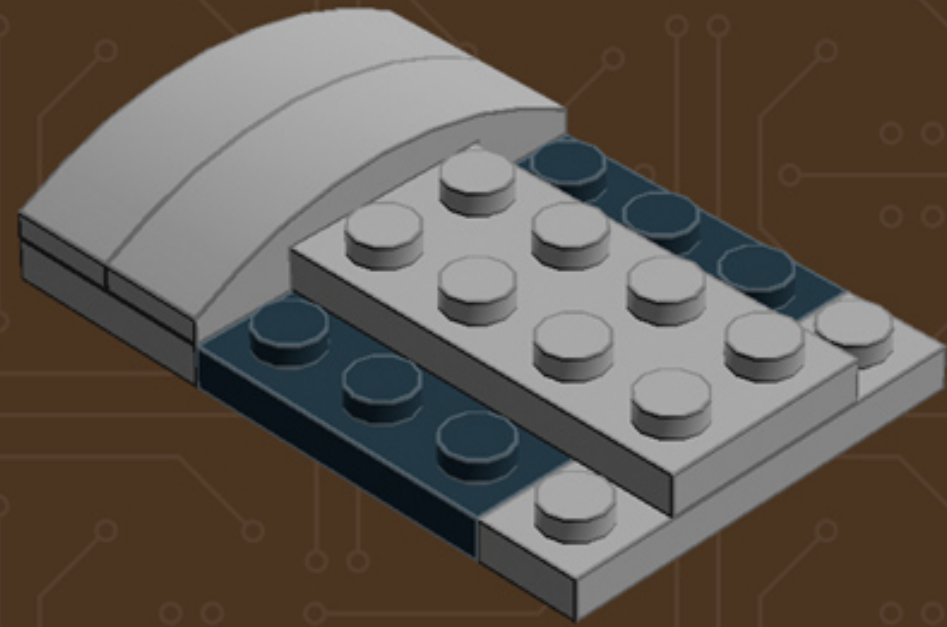
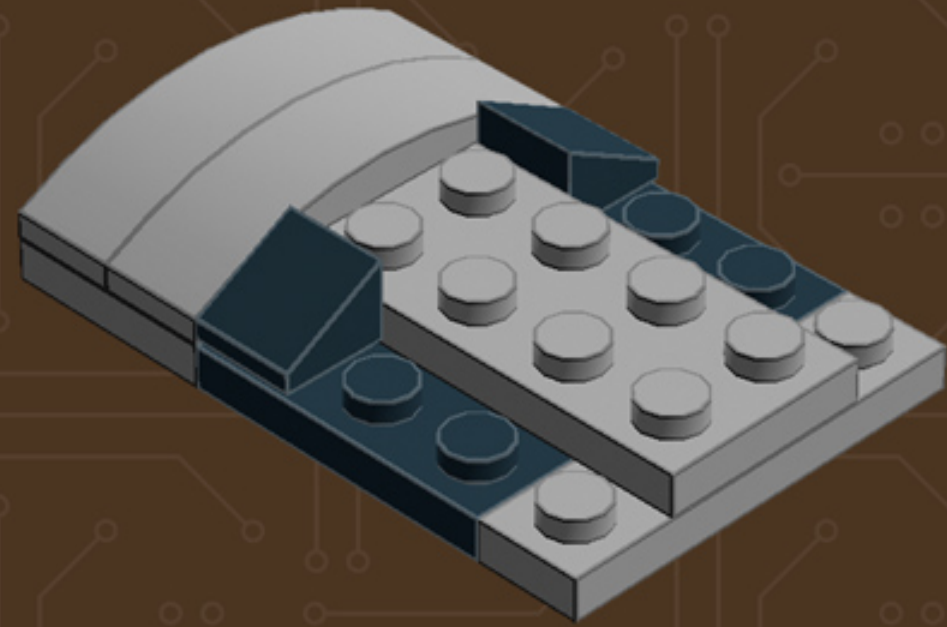


Image	Element ID	Color	Description	Quantity
	4565393	Light Grey	Plate, Jumper, 2x2	1
	4622803	Light Grey	Slope, Curved, 1x4 (No Studs)	6
	4211440	Light Grey	Technic Brick, 1x2	1
	4211356	Light Grey	Tile, 1x4	1
	4211413	Light Grey	Tile, 2x2	2
	4560183	Light Grey	Tile, 2x4	1
	4650260	Light Grey	Tile, Round, 1x1	1
	4211480	Light Grey	Tile, Round, 2x2	2
	4297210	Light Grey	Wheel Rim 30.4mm D. x 20mm	1
	4645394	Trans-Clear	Brick, 1x1	3
	306540	Trans-Clear	Brick, 1x2	4
	4187750	Trans-Clear	Dish, 2x2	1
	3000840	Trans-Clear	Plate, 1x1	5
	4124108	Trans-Red	Bar, 1x3	1

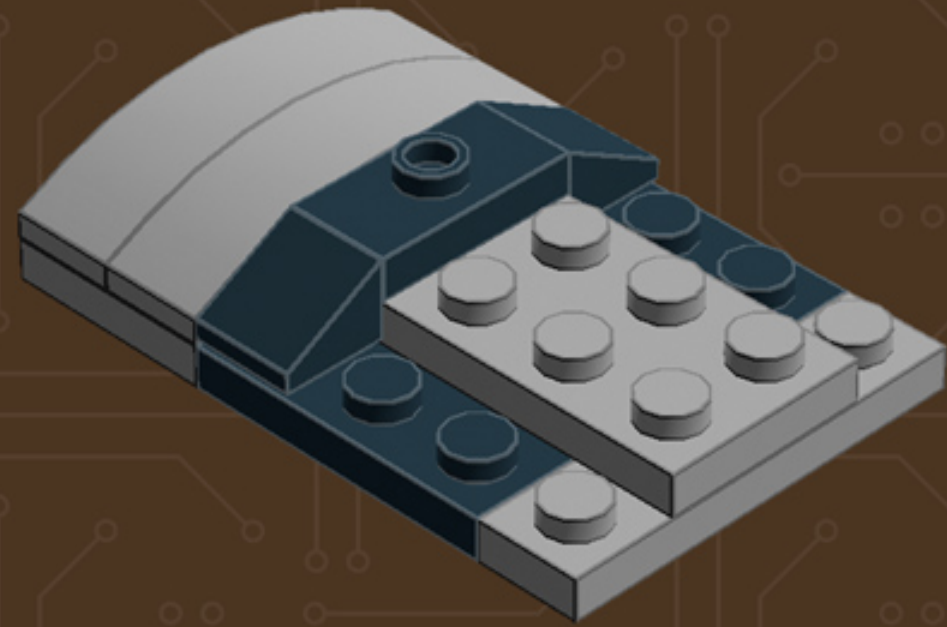


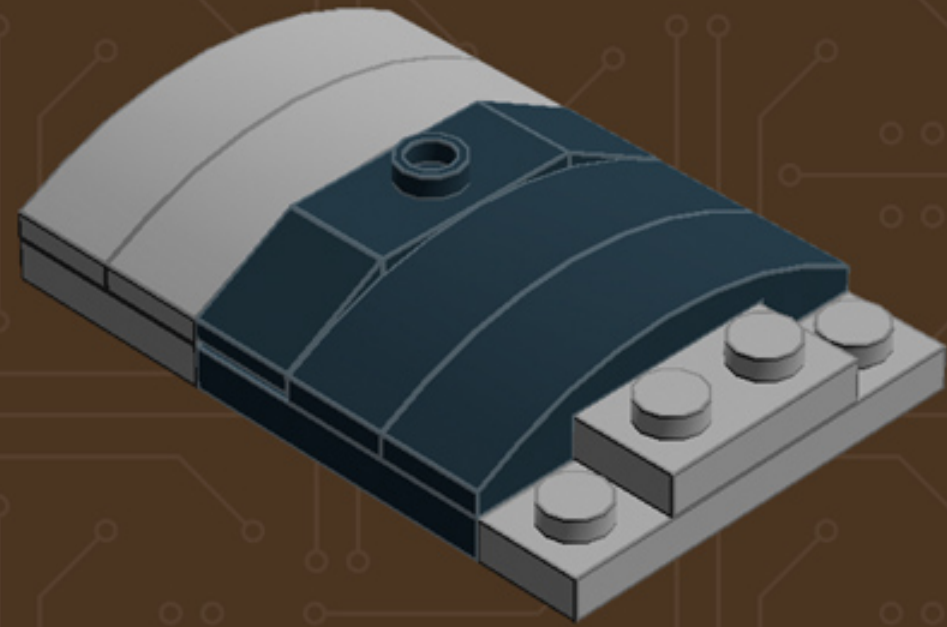


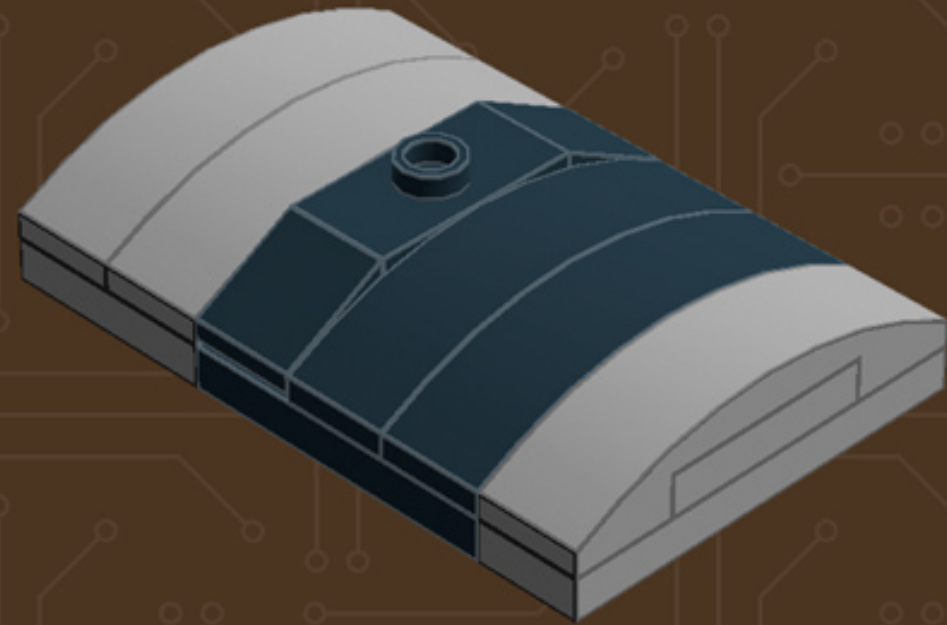


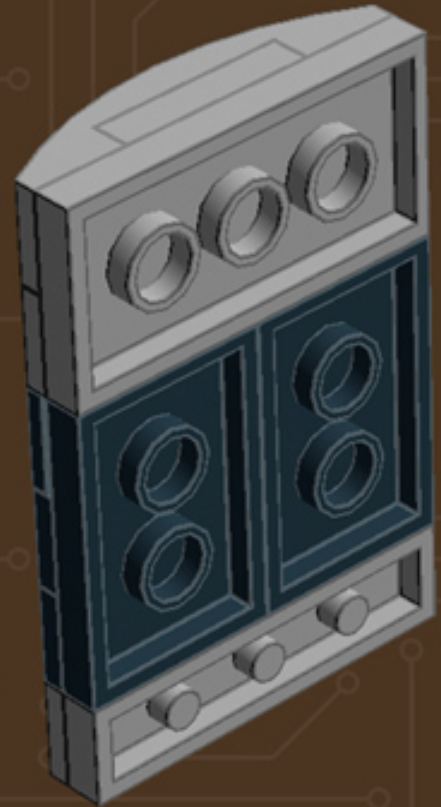


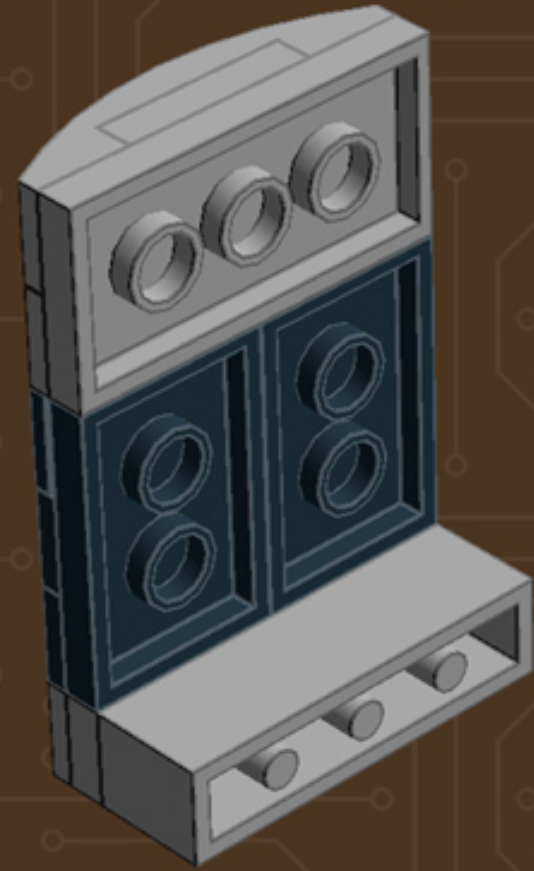


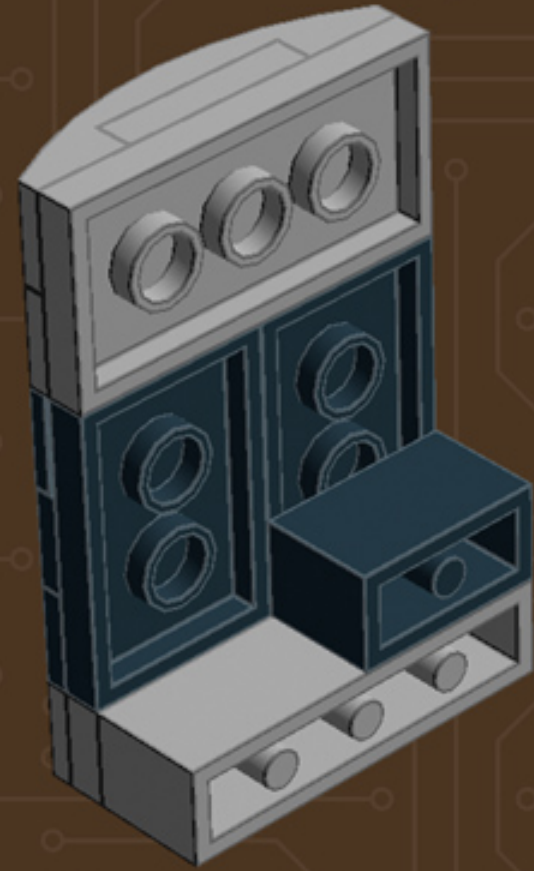


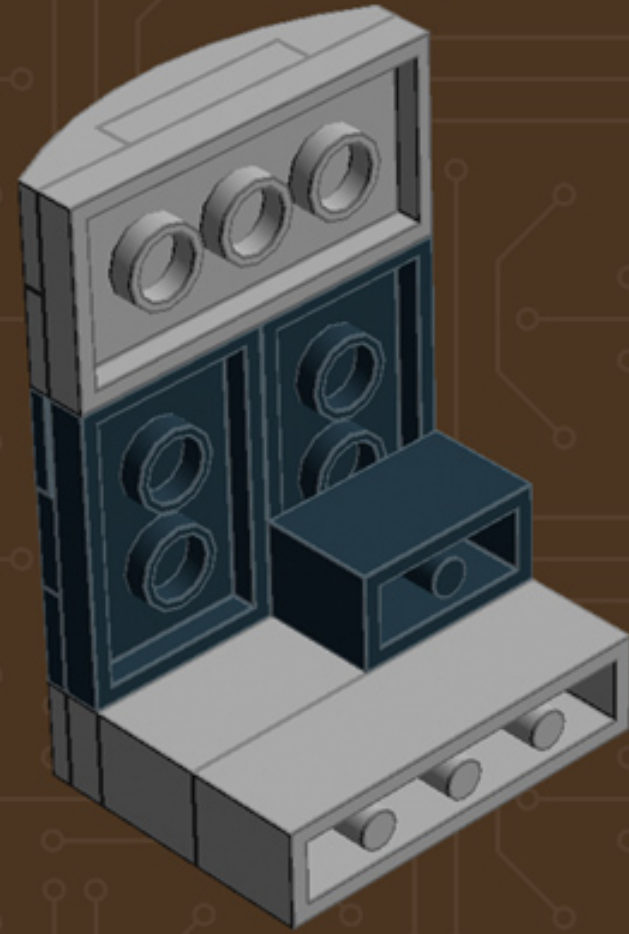


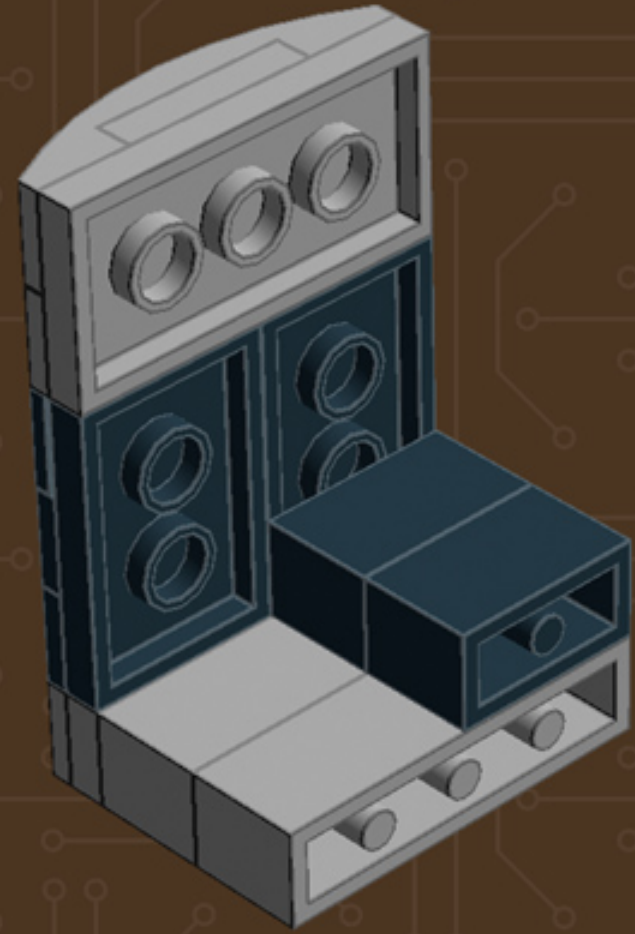




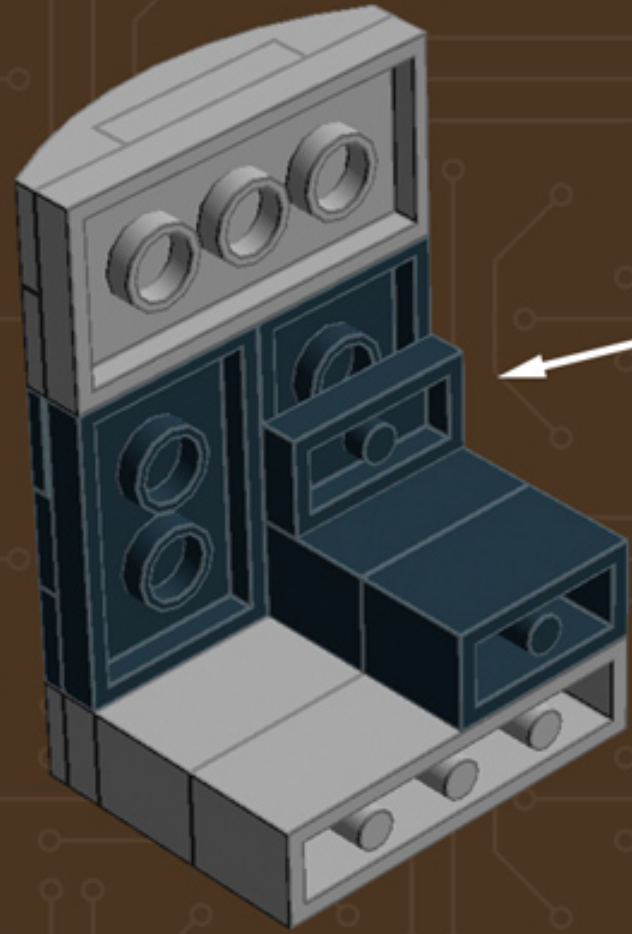


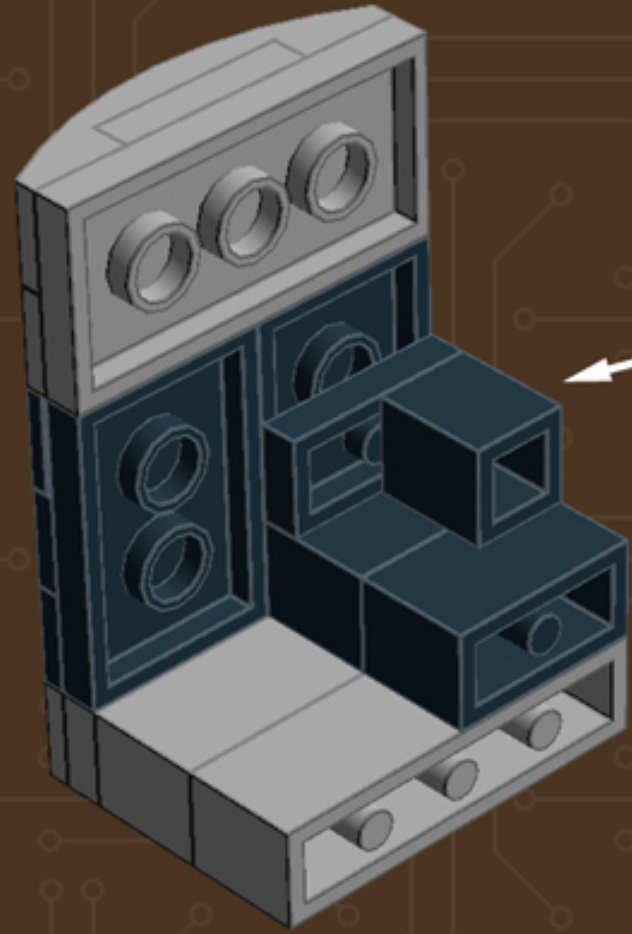


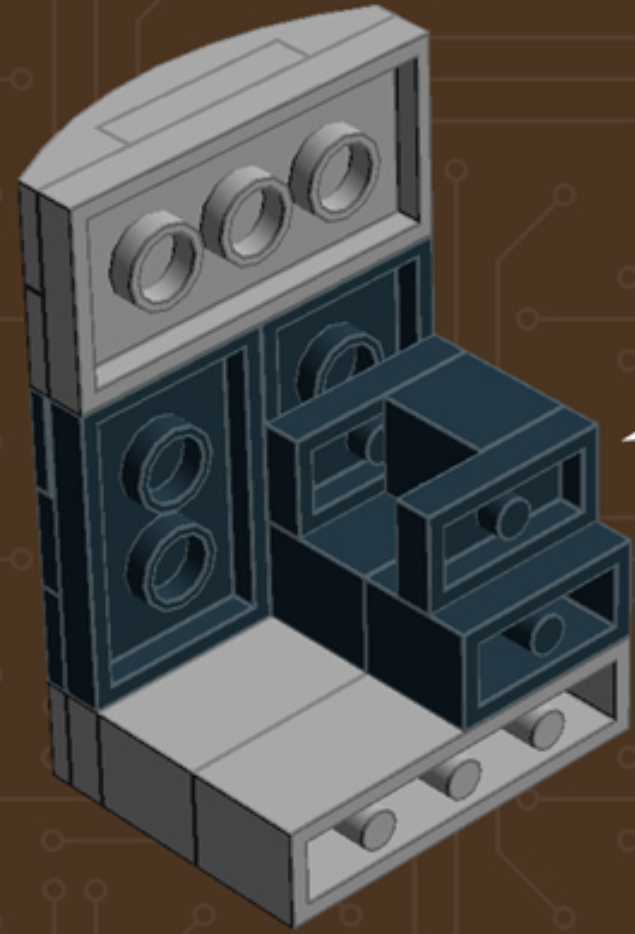


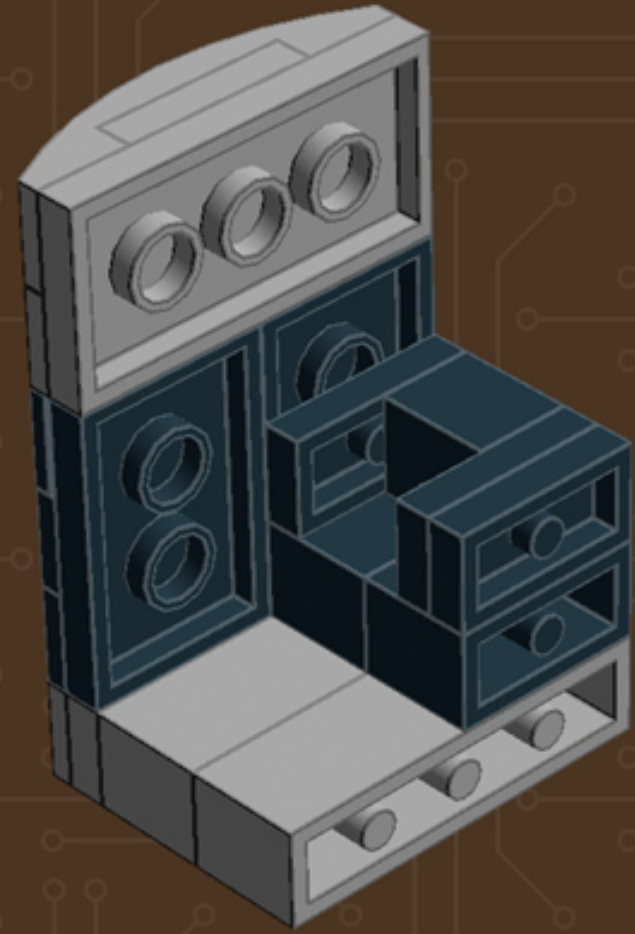


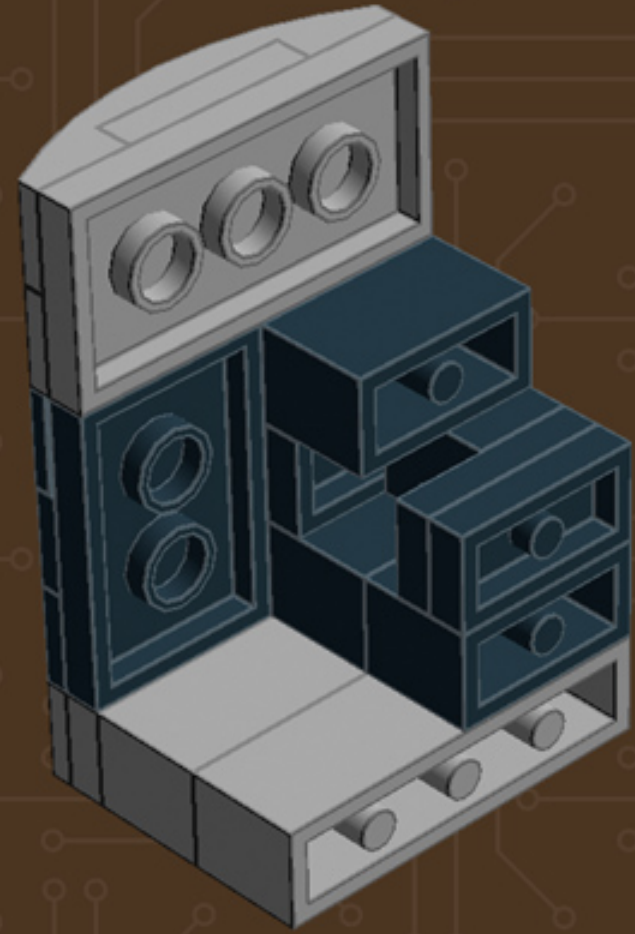


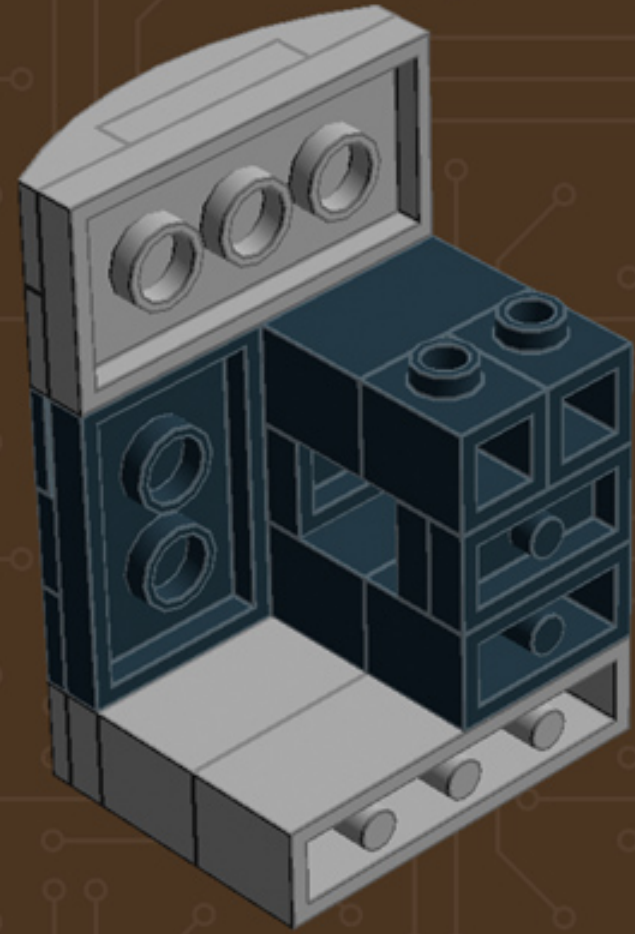


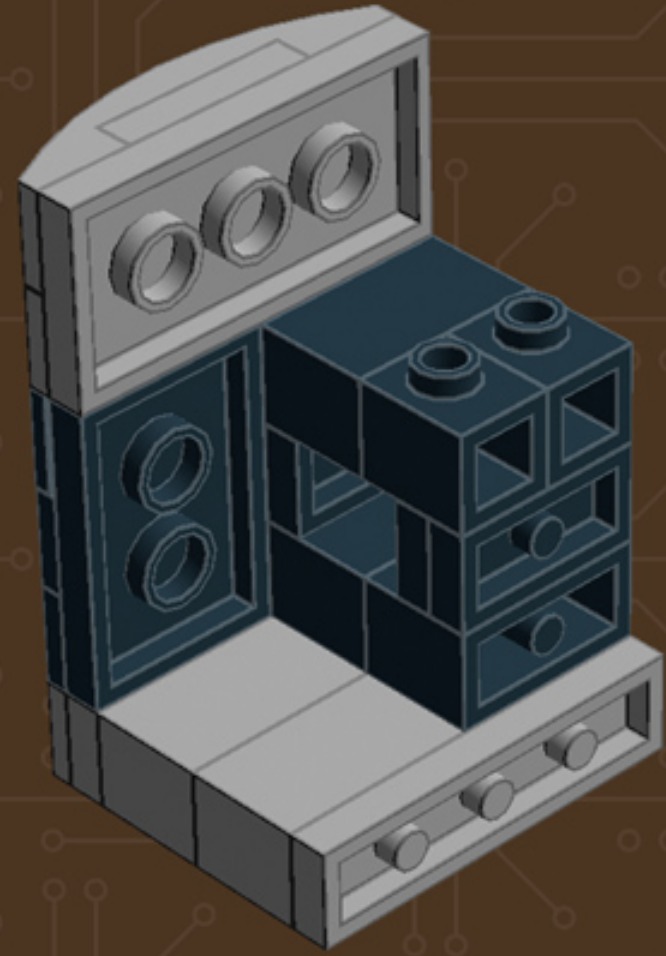


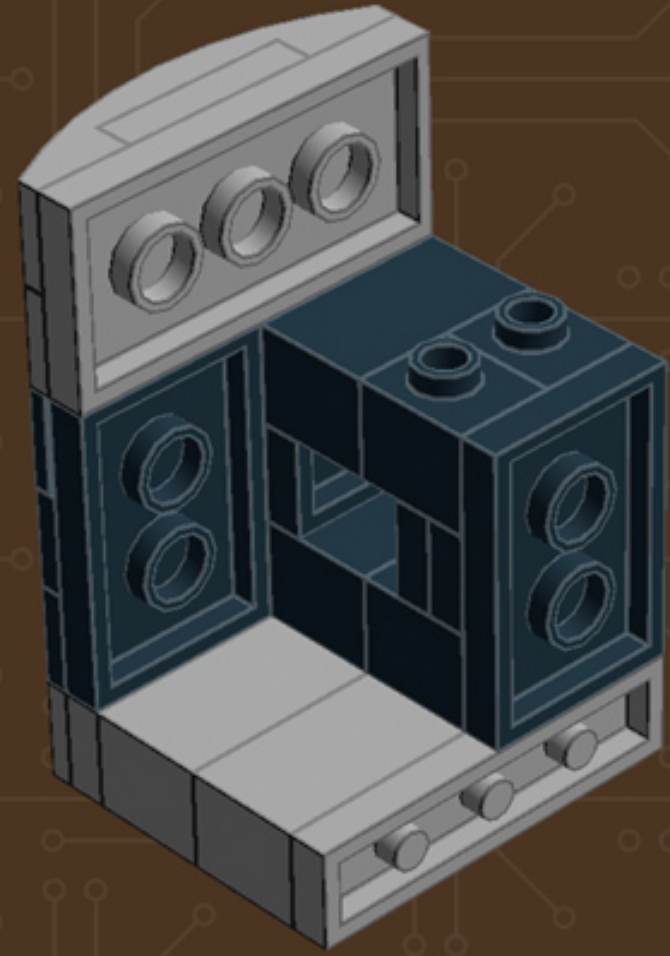




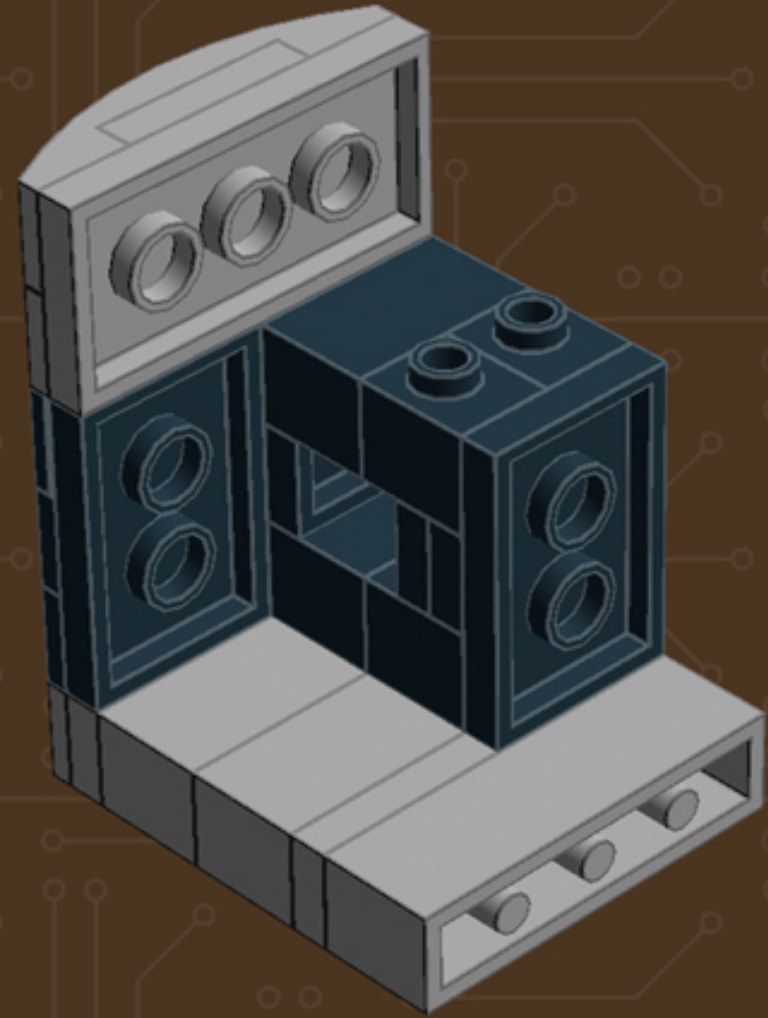


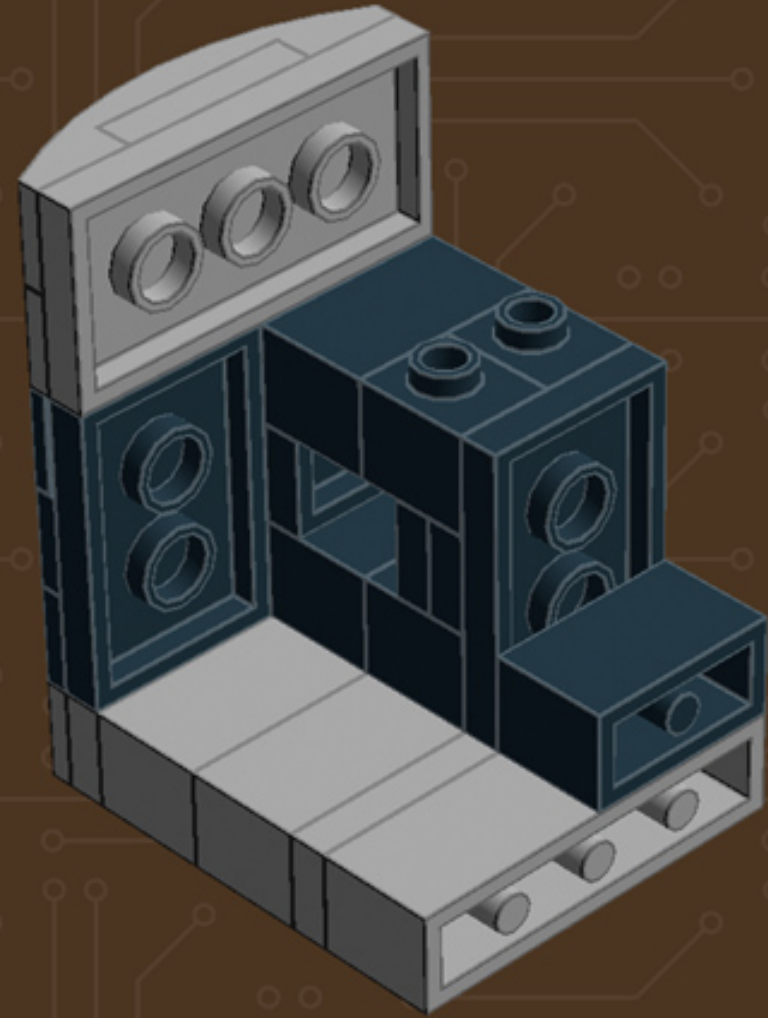


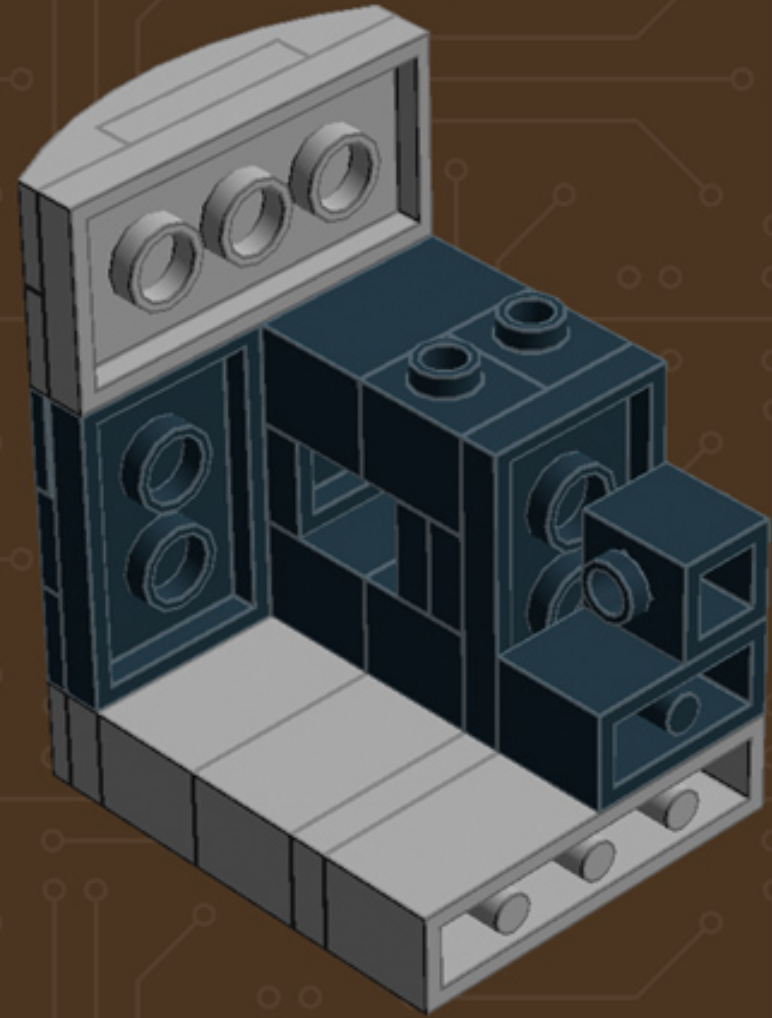


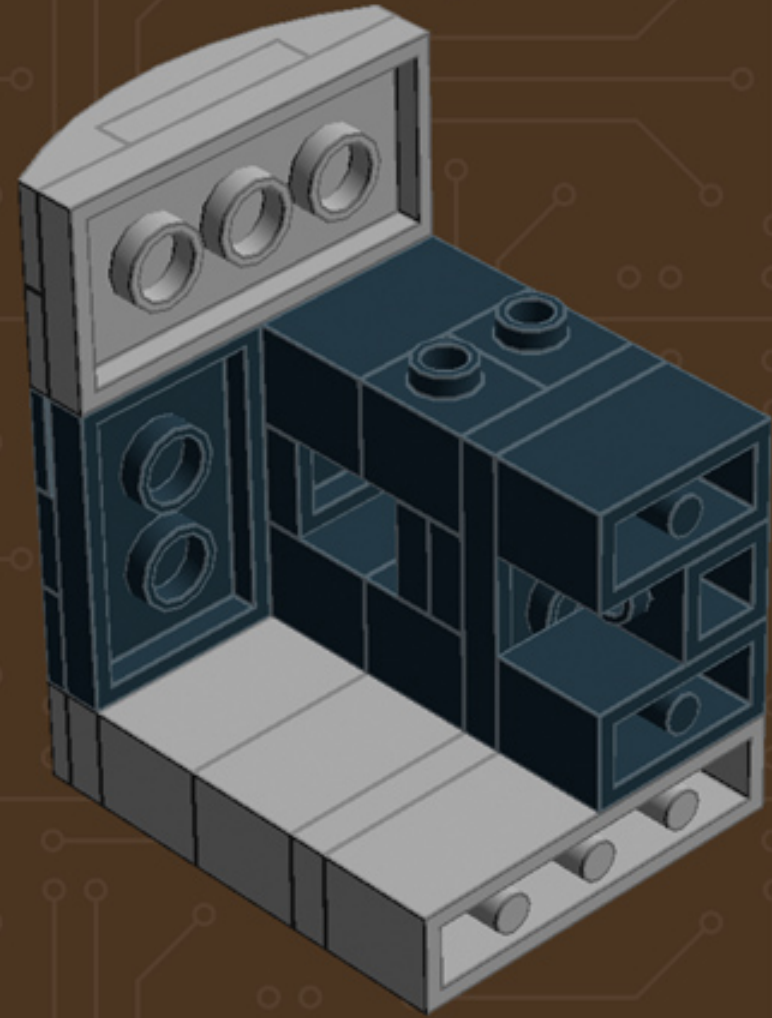


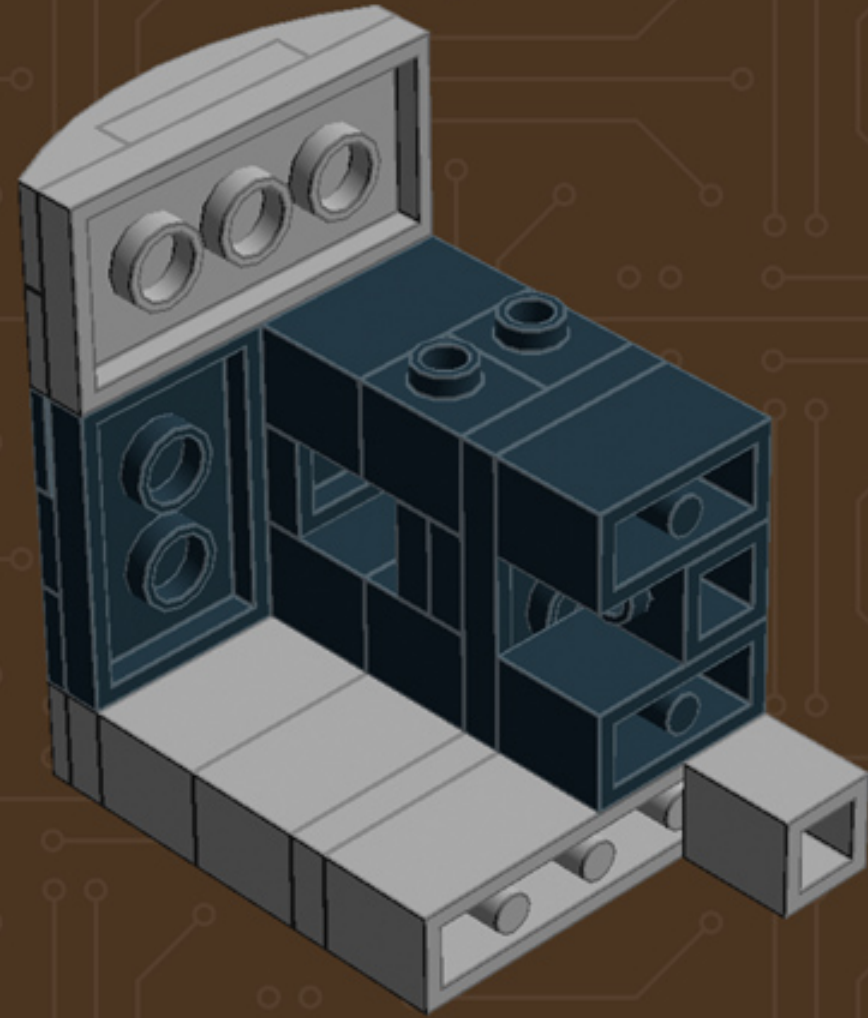


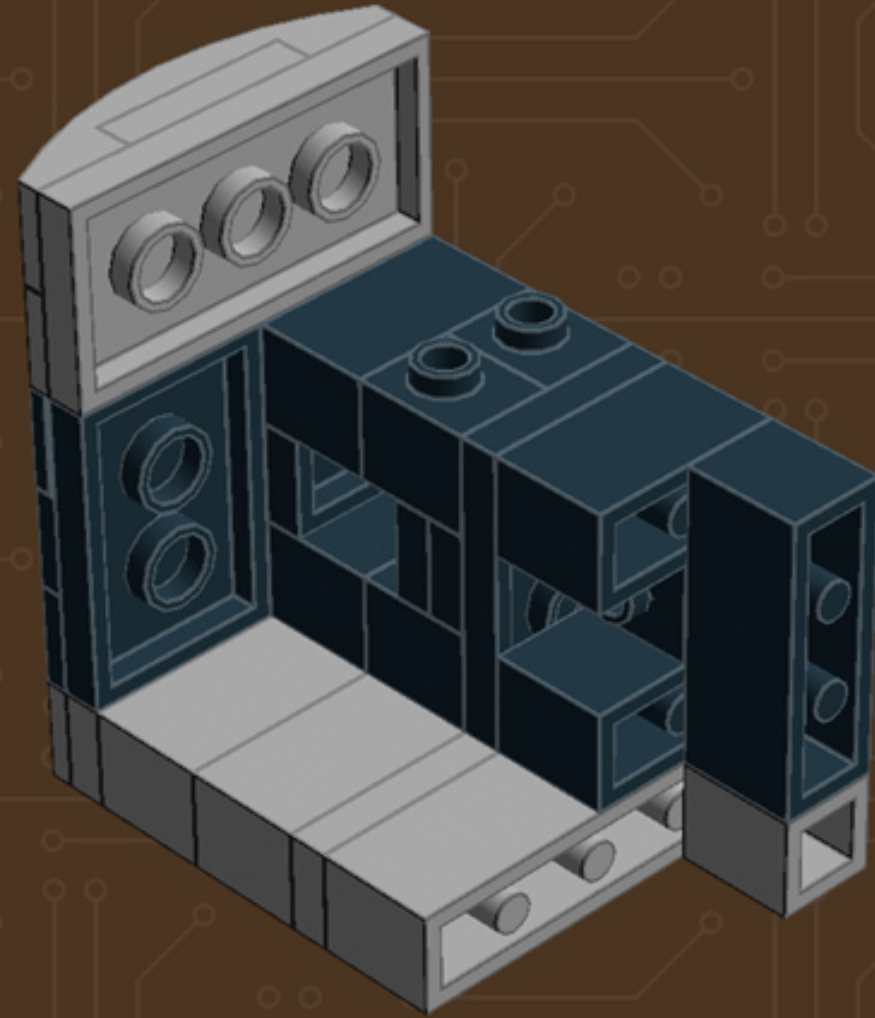


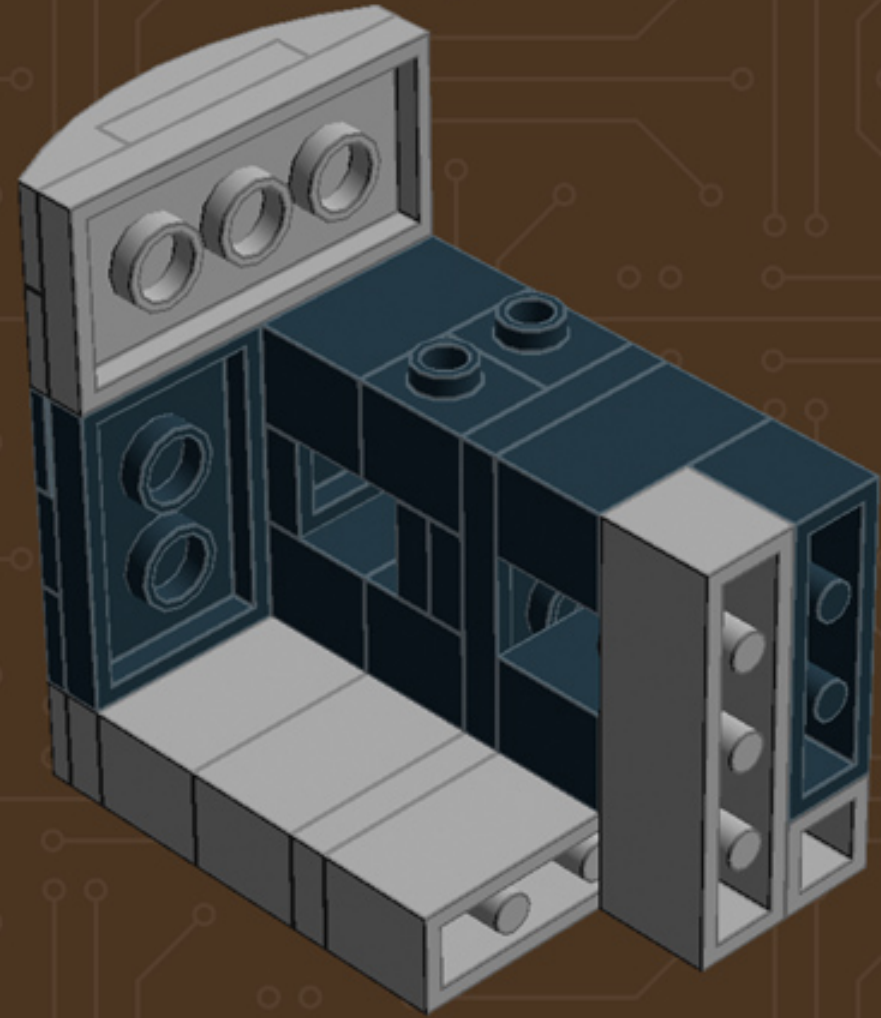


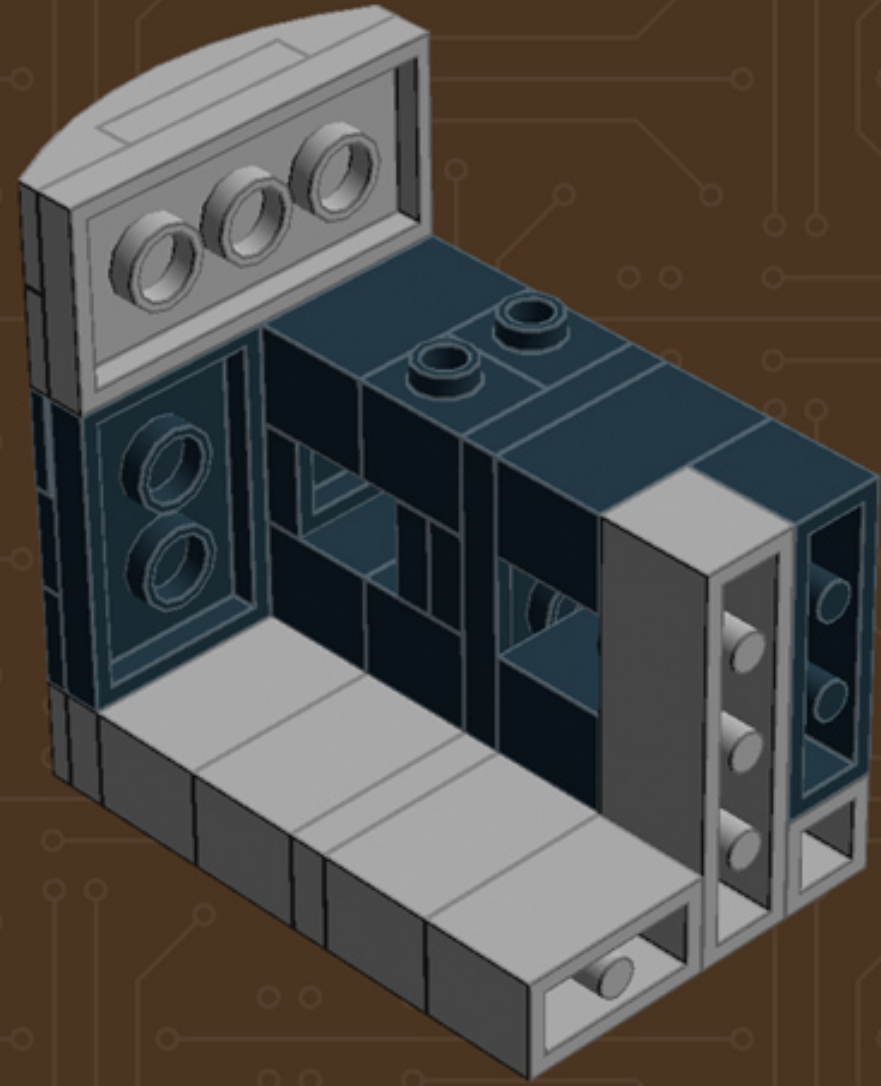






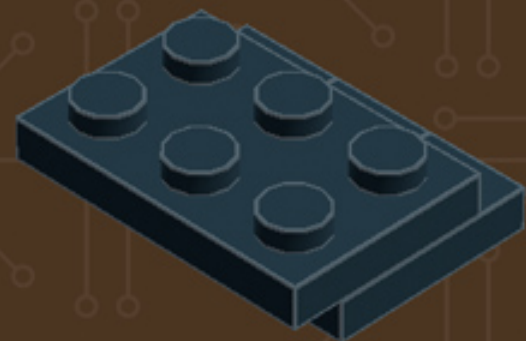


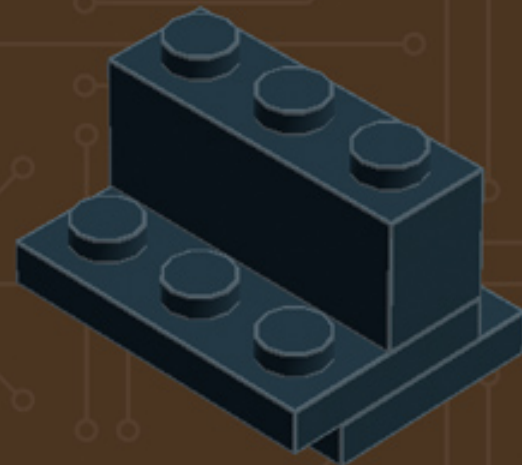


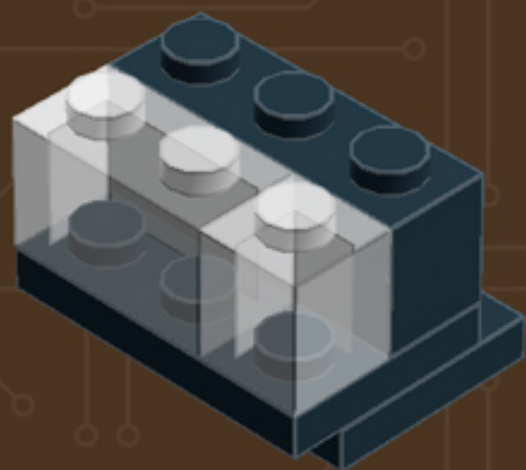


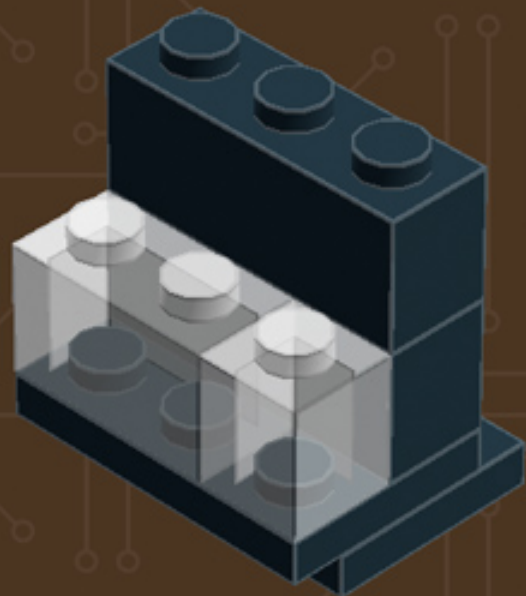


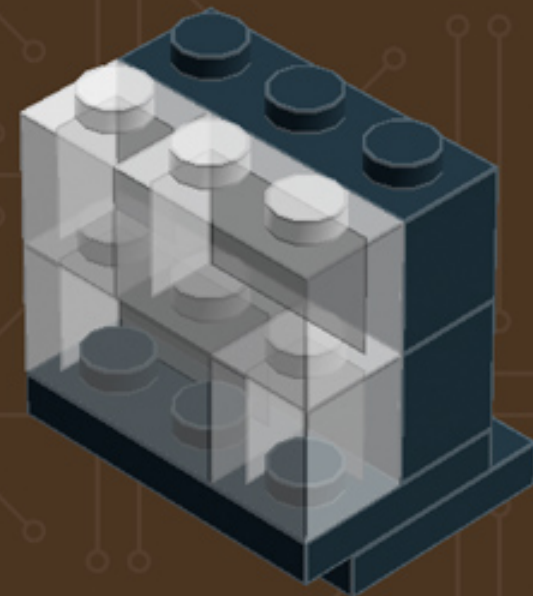


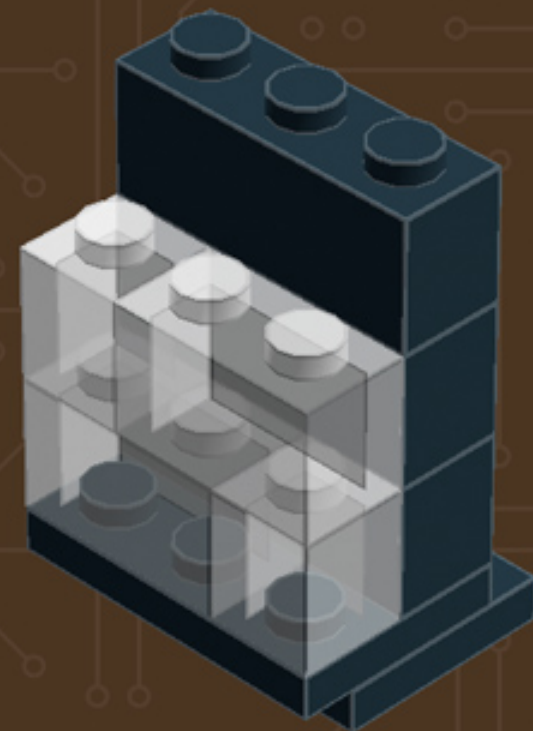


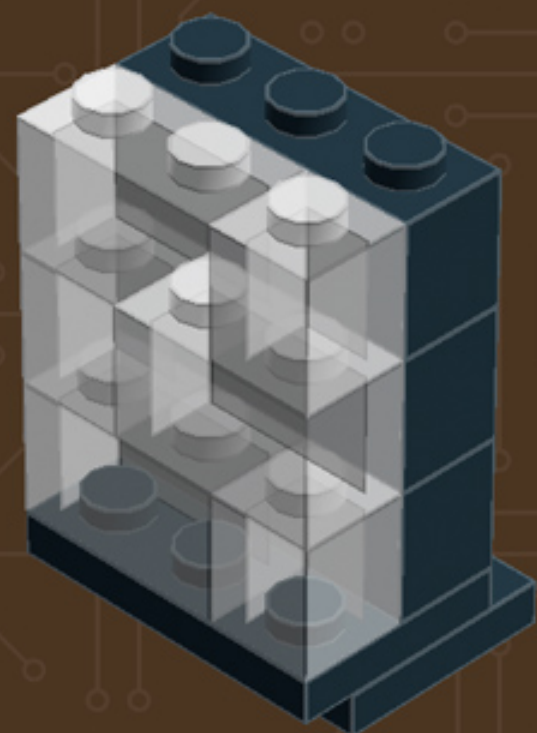




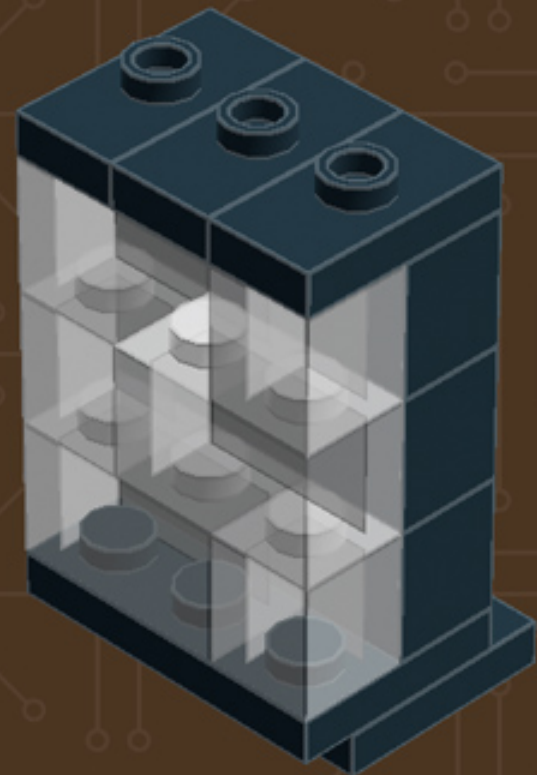


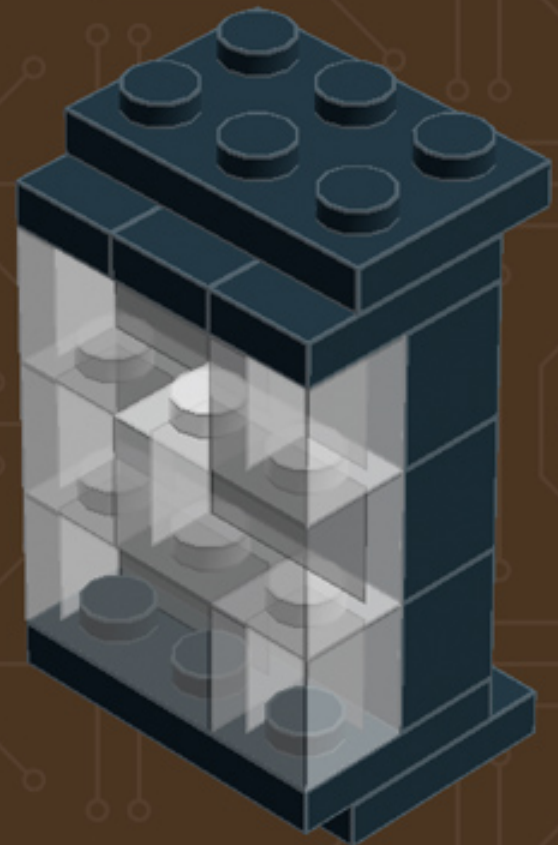


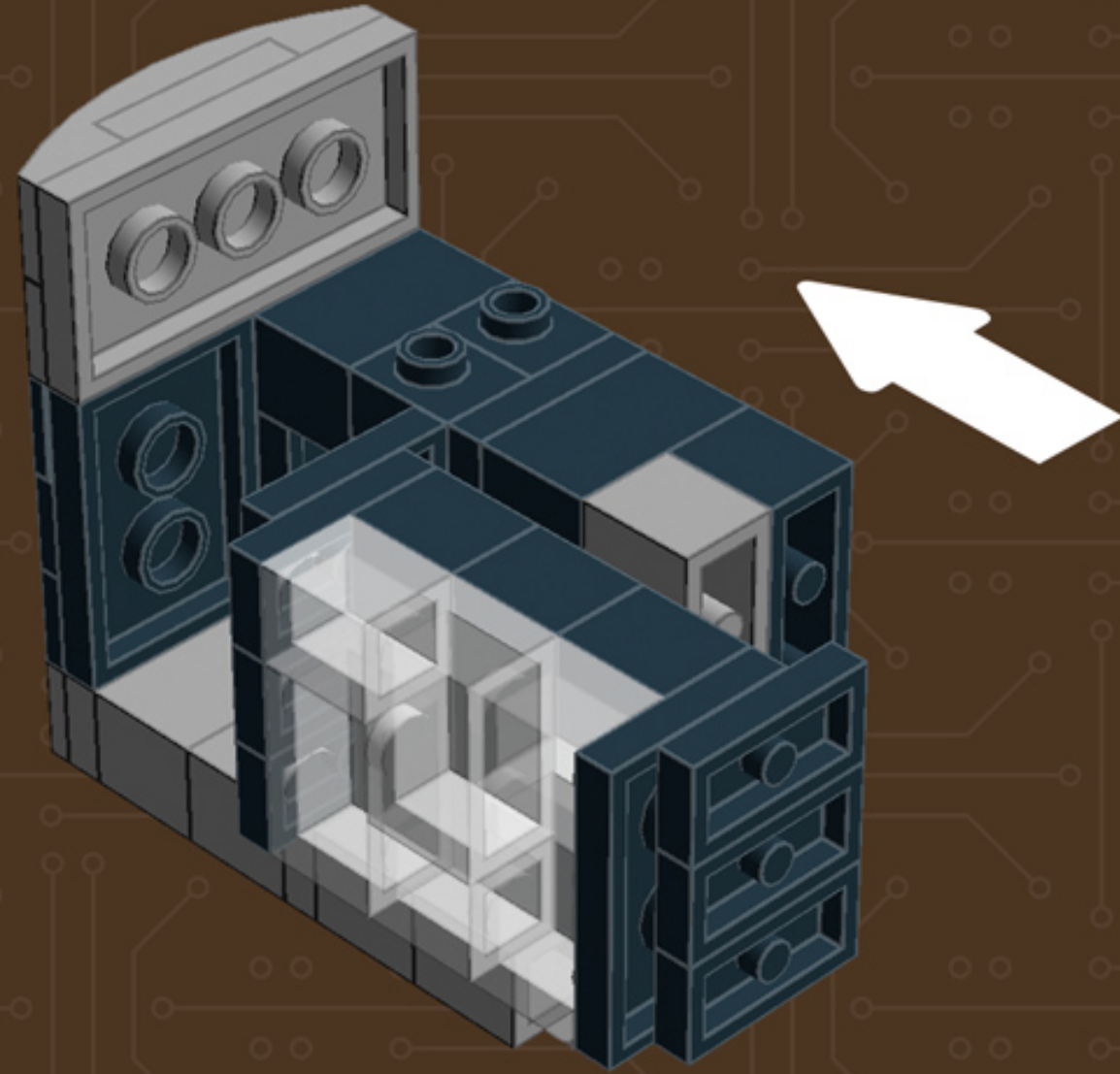


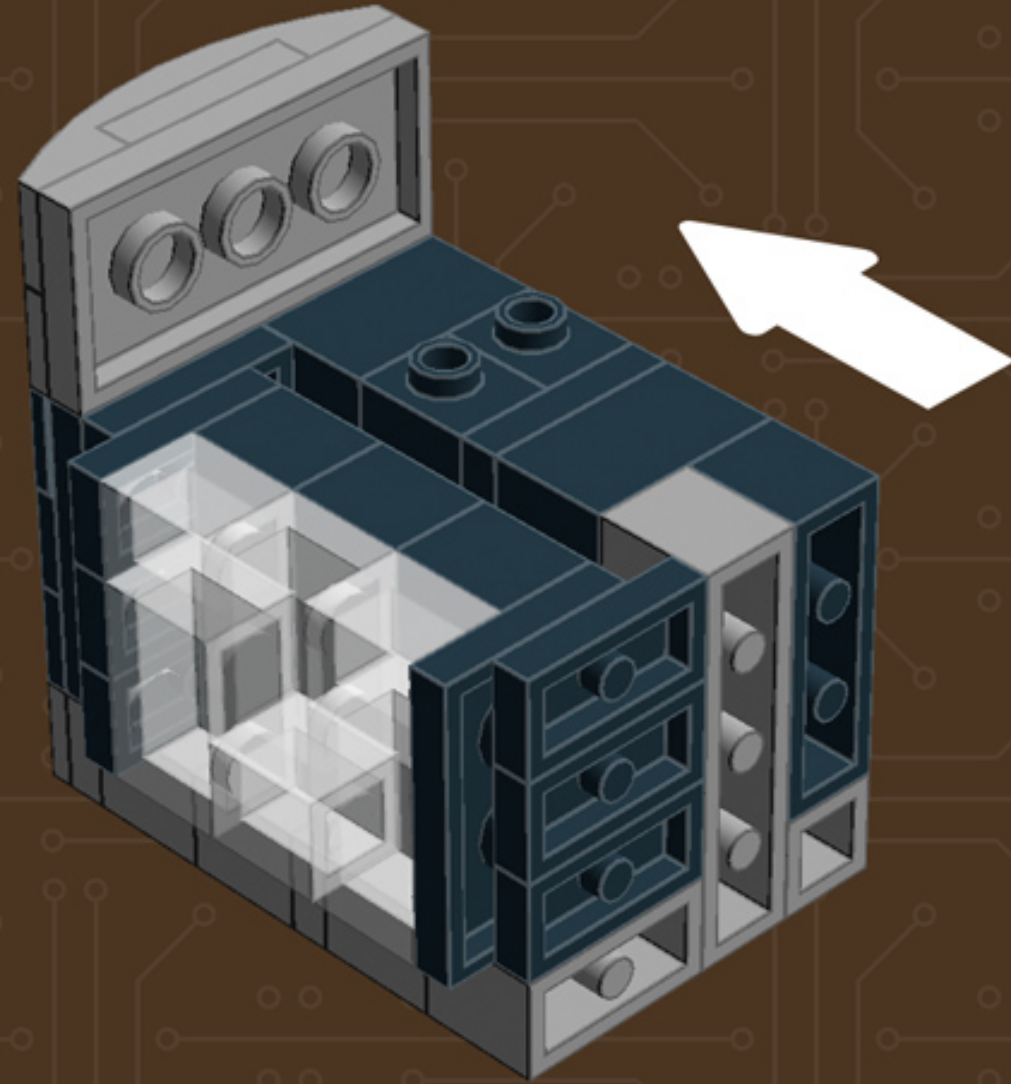


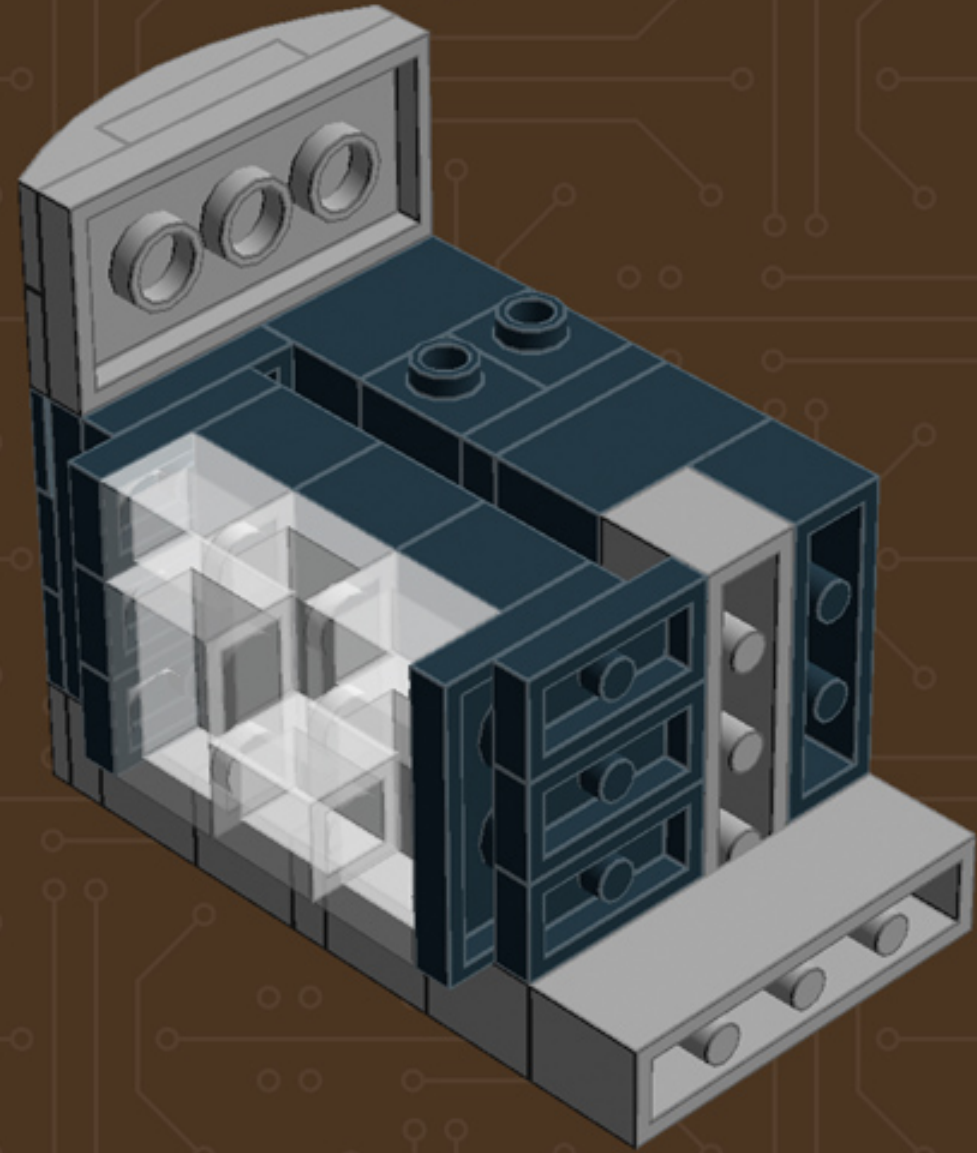


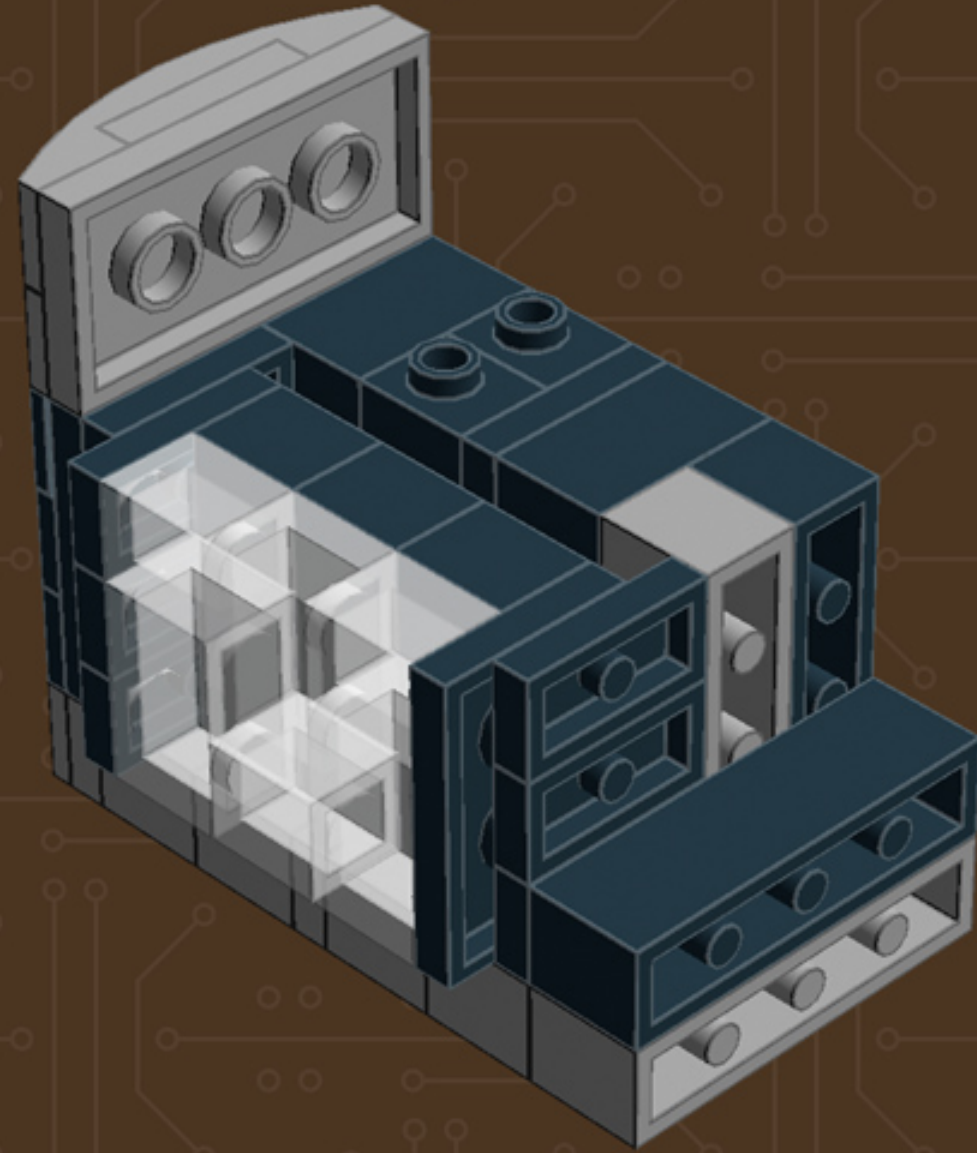


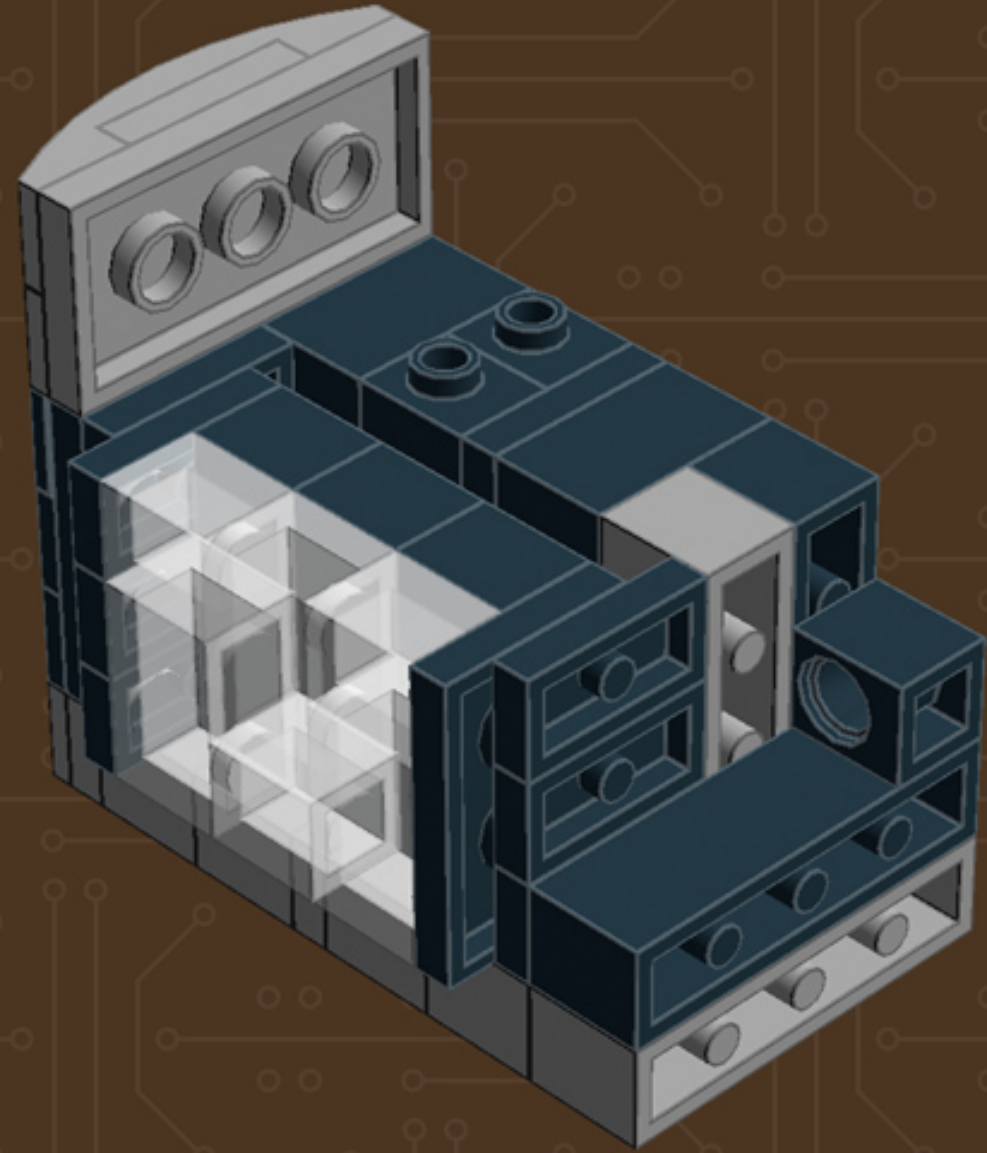


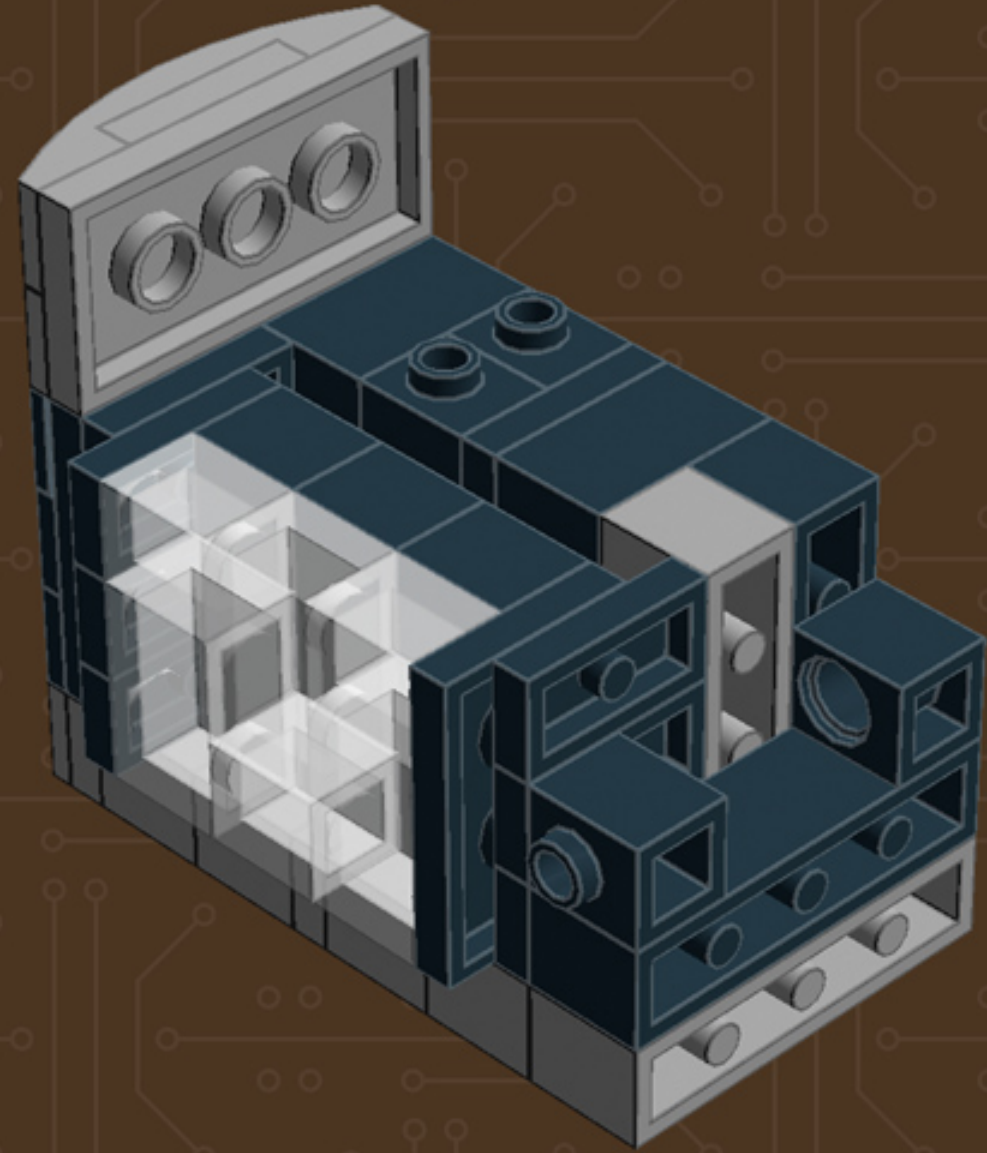




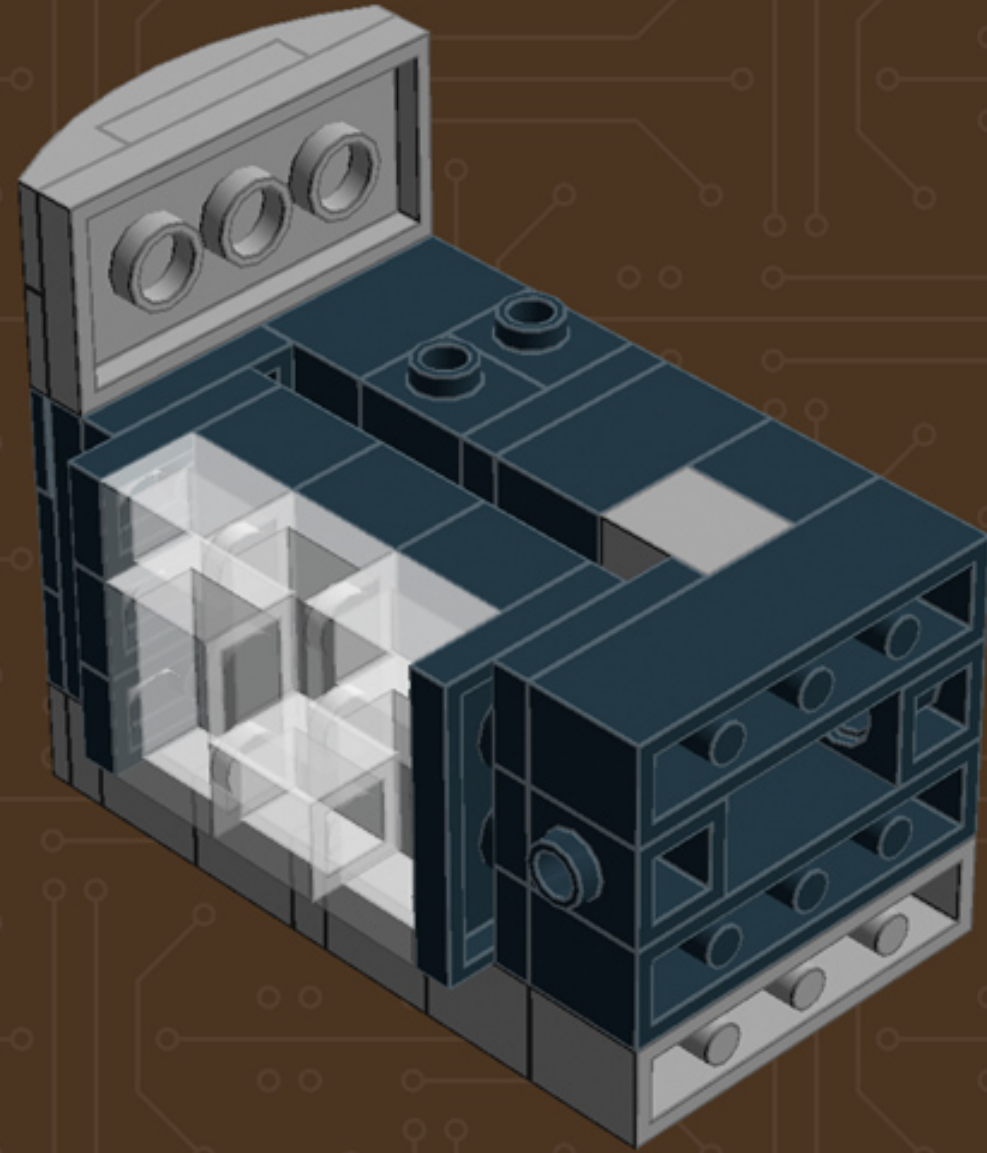


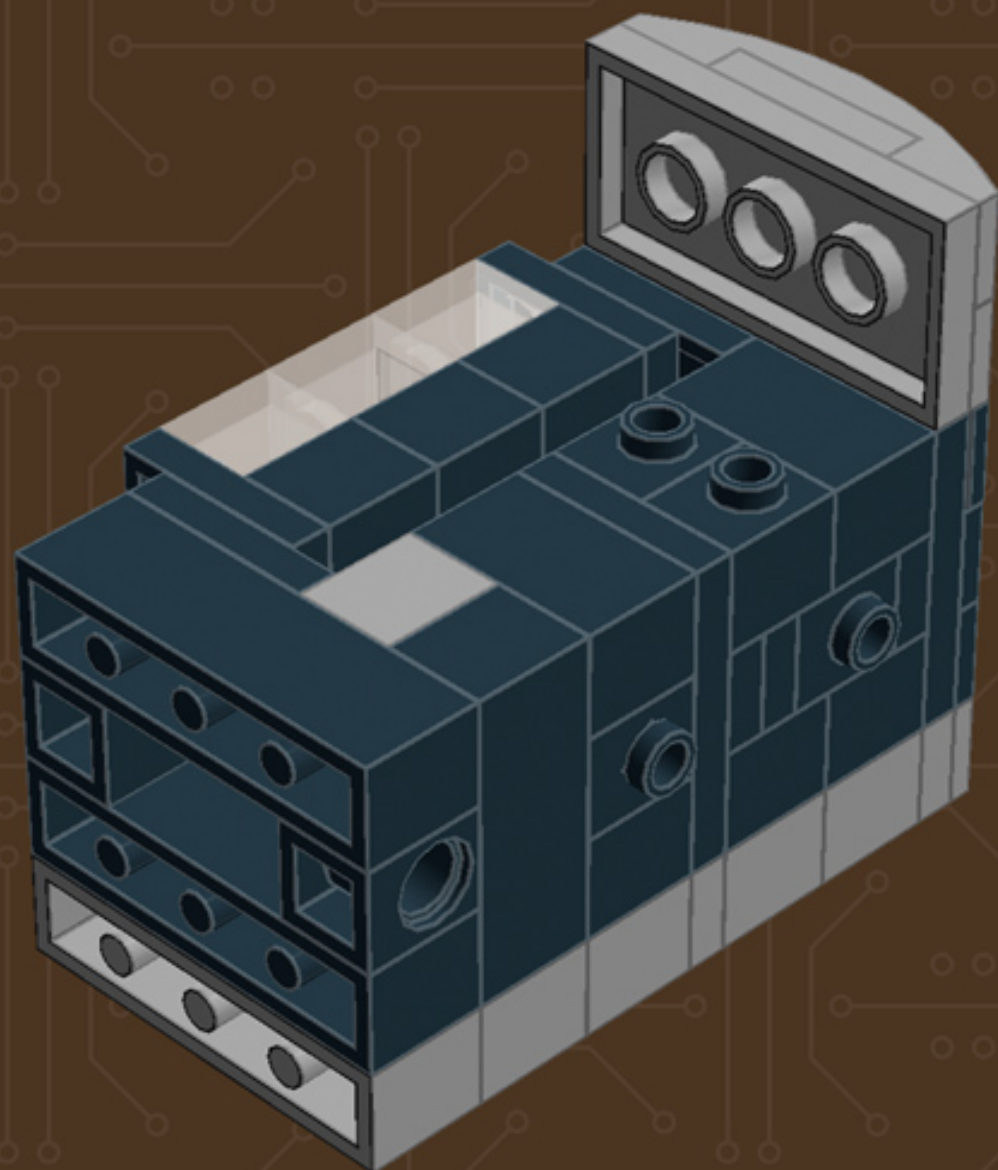


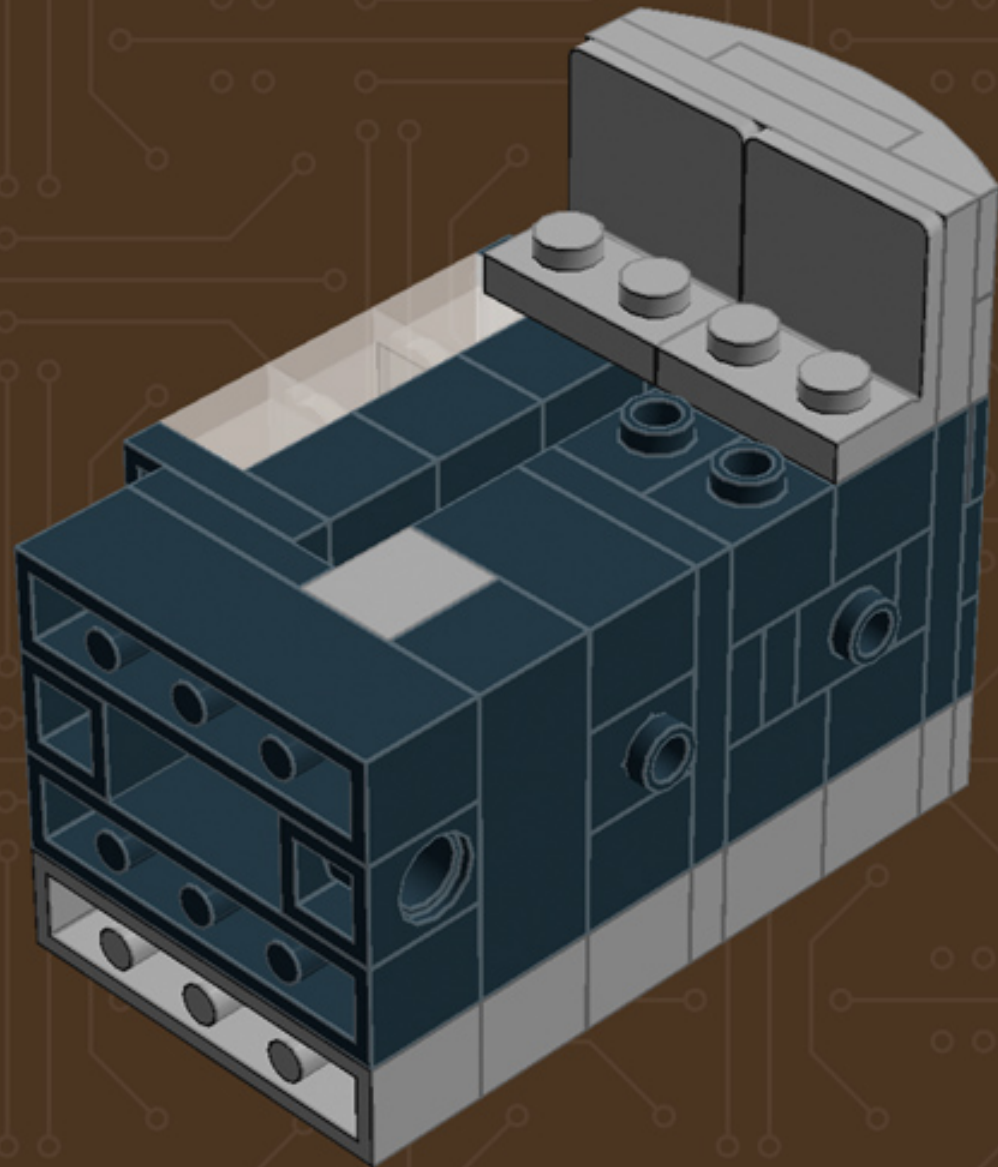


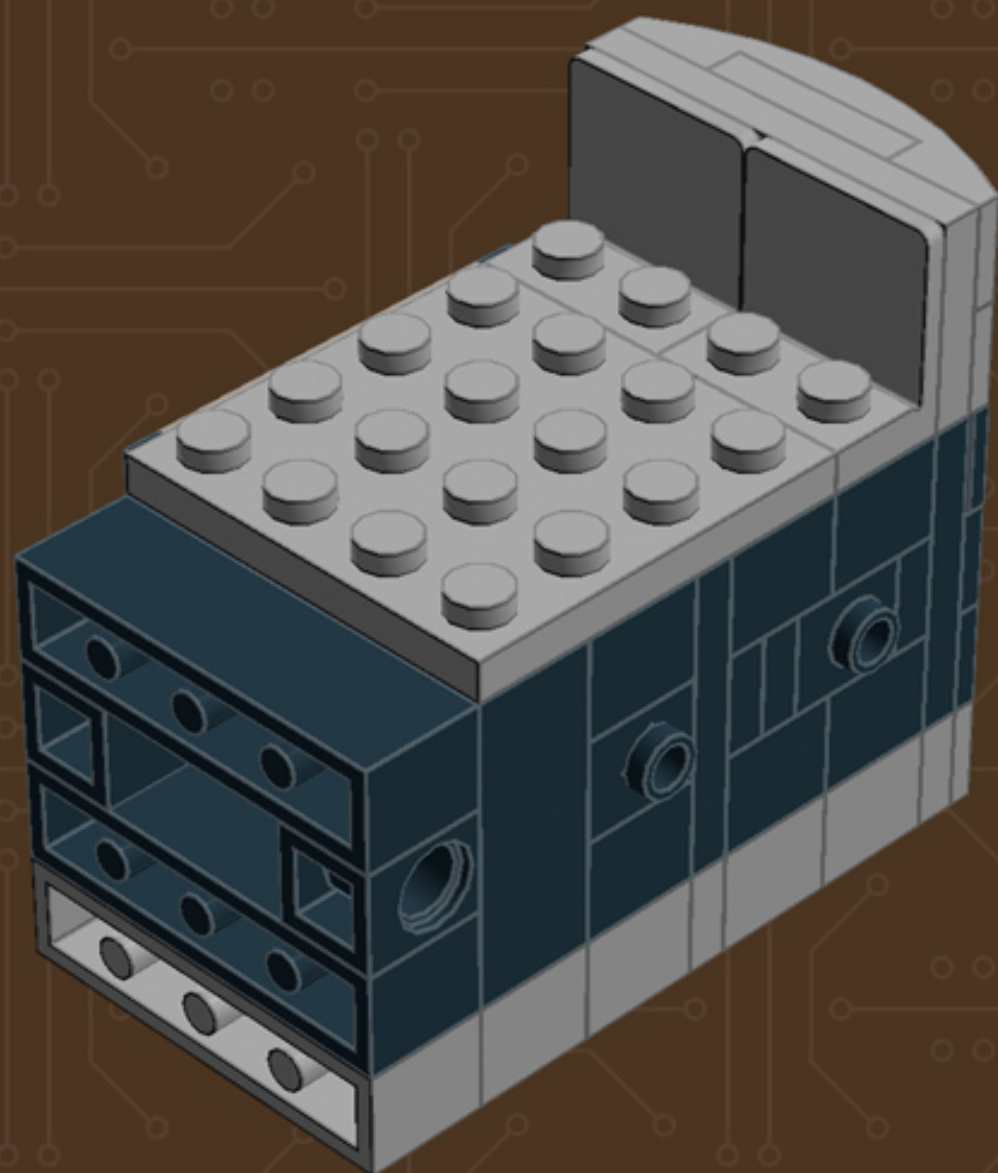


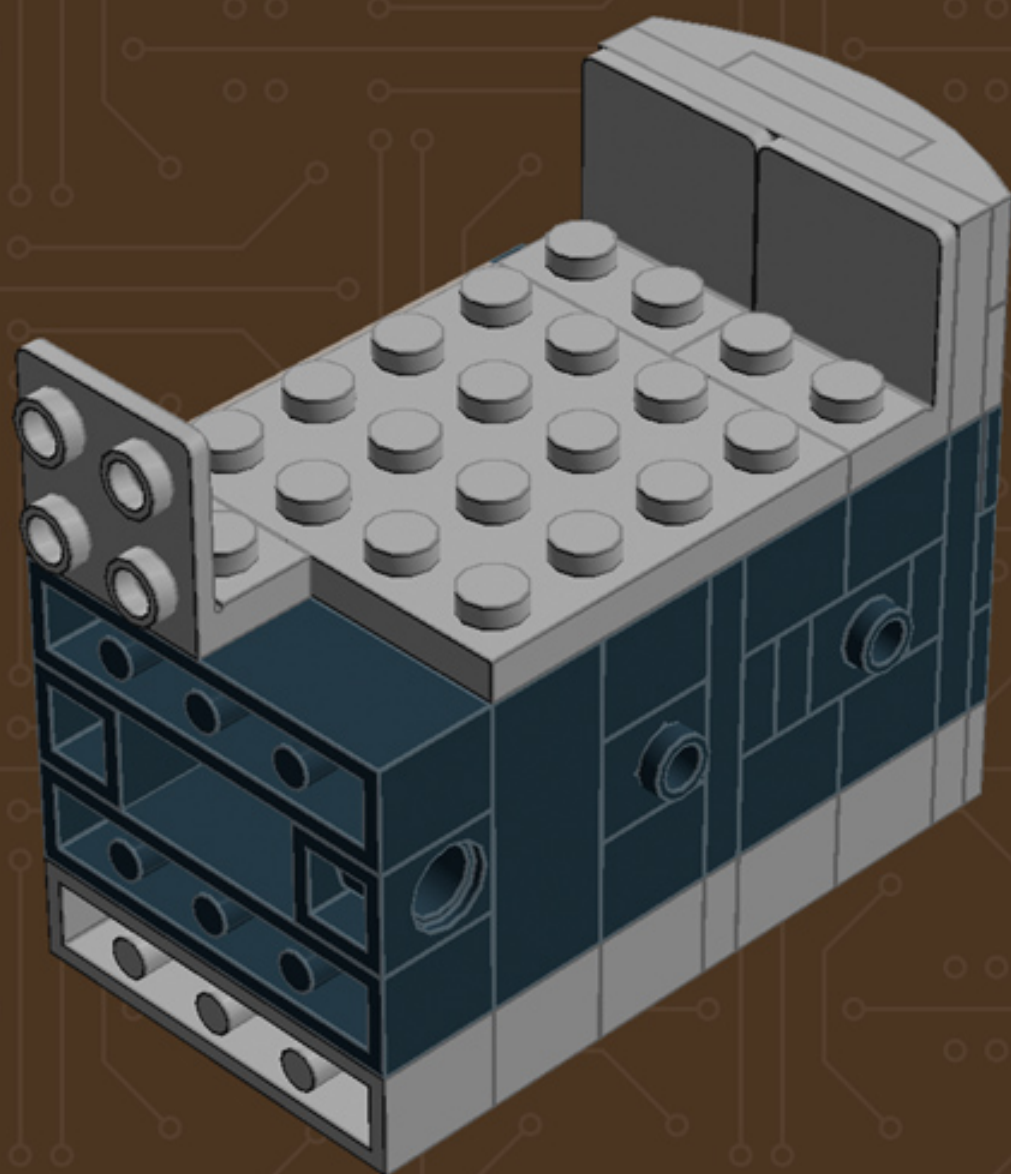


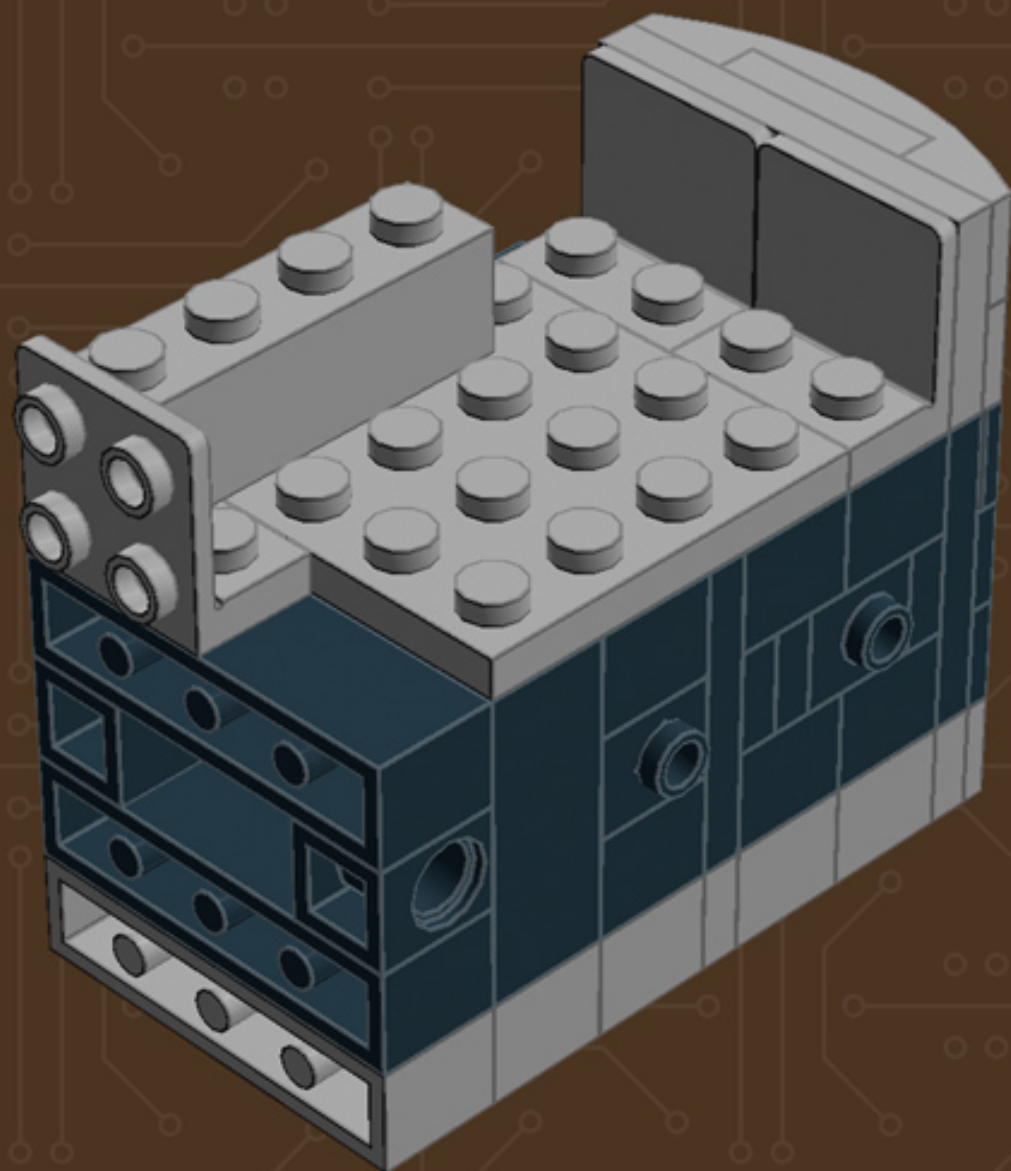


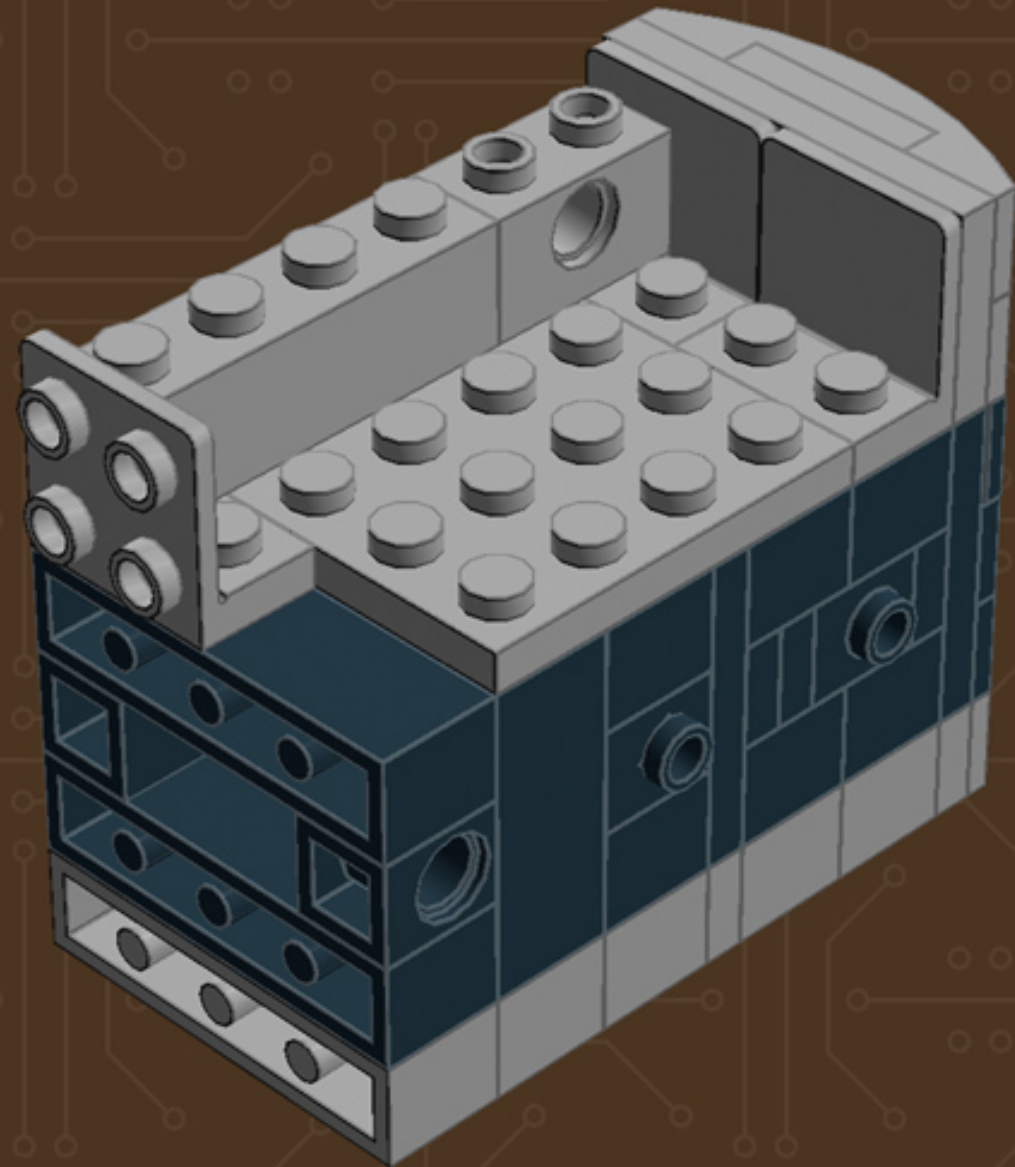


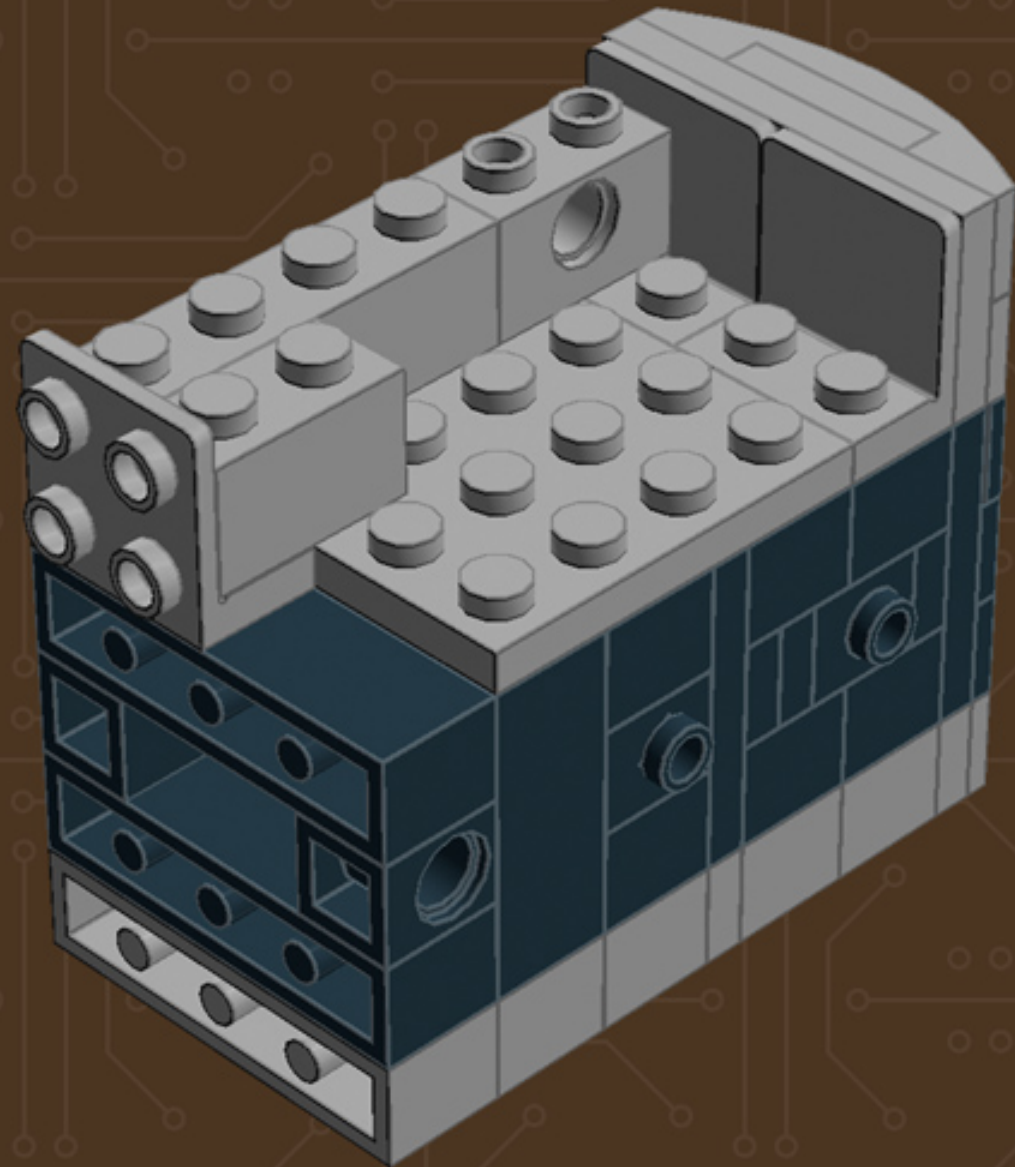




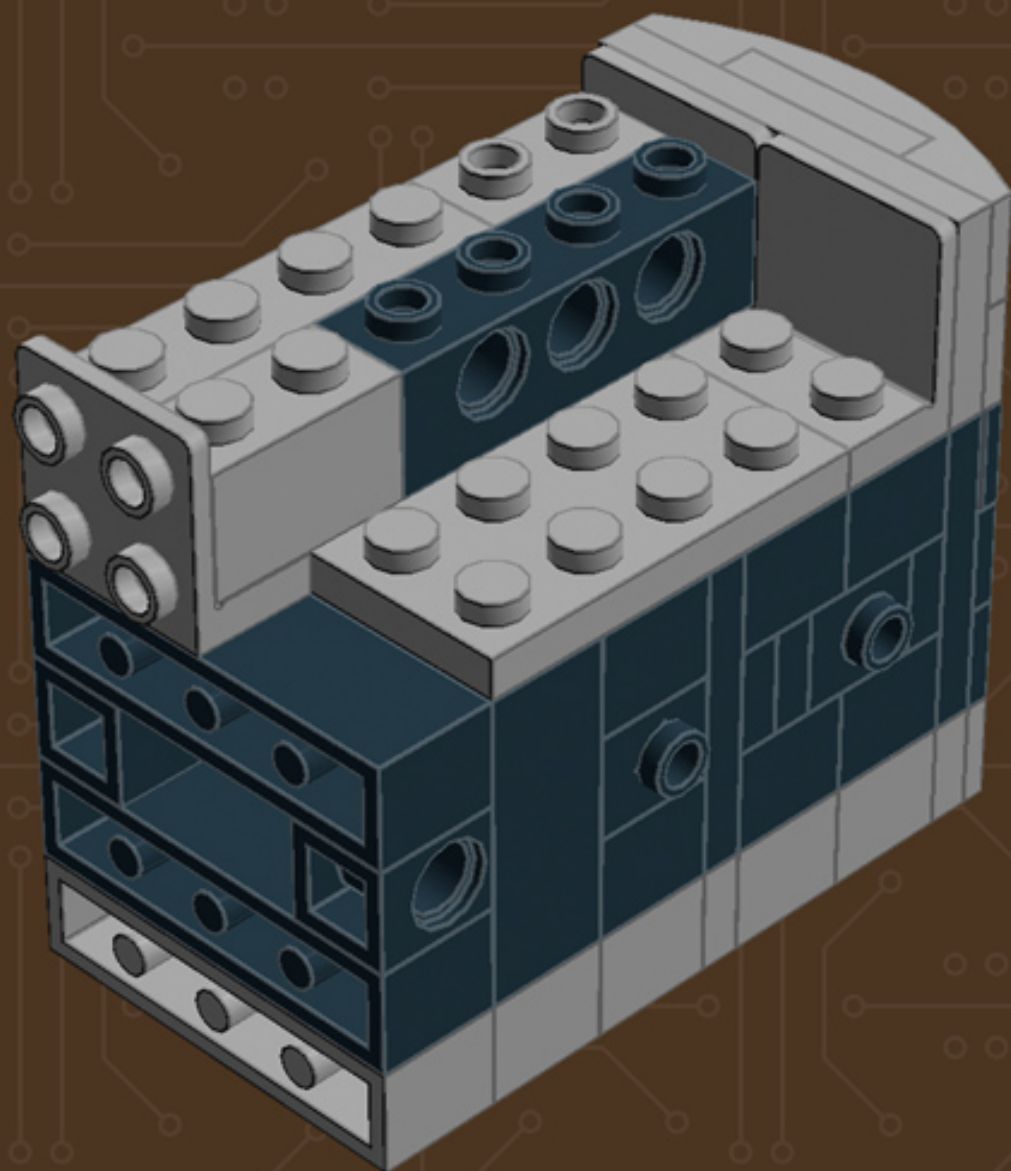


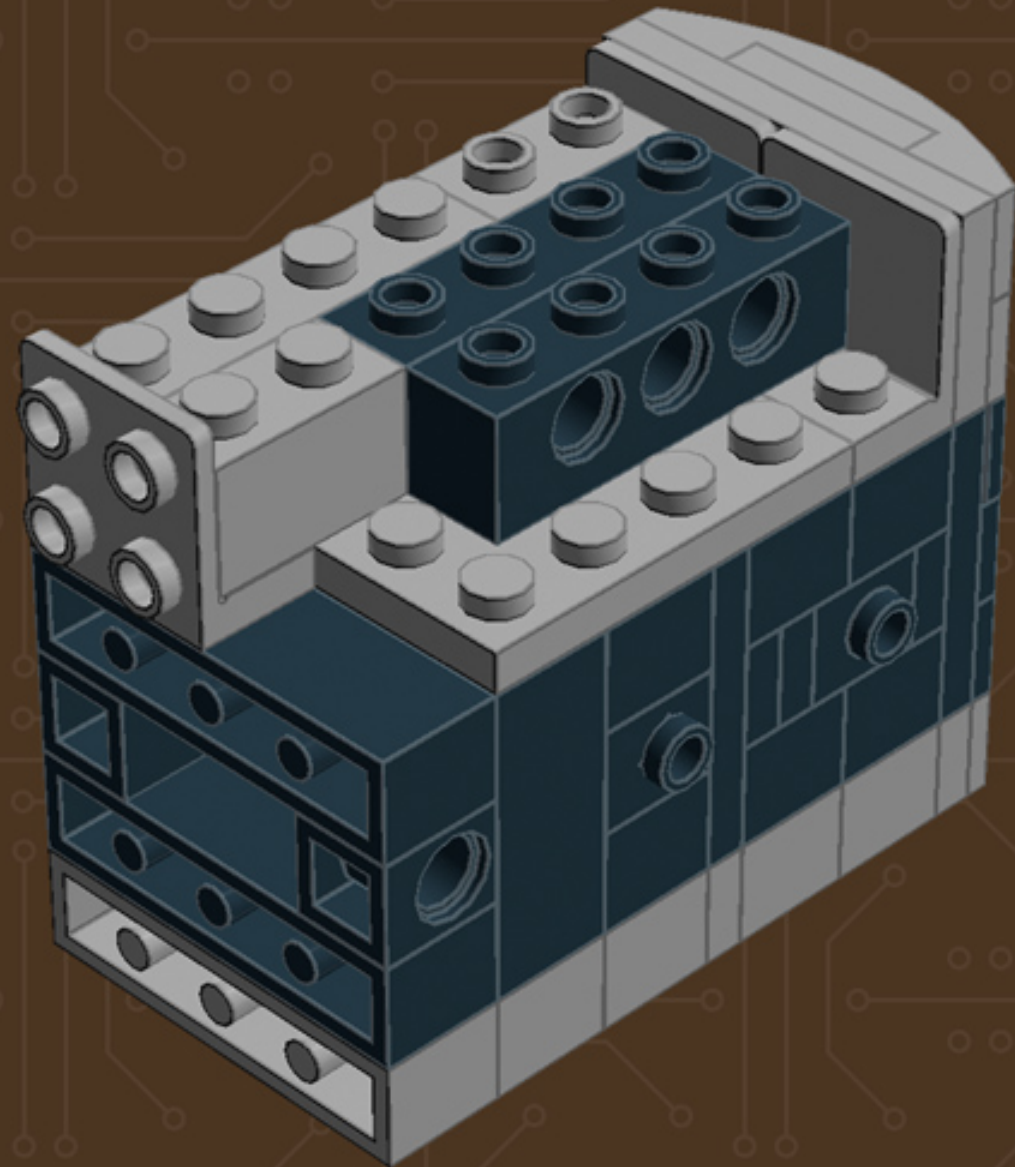


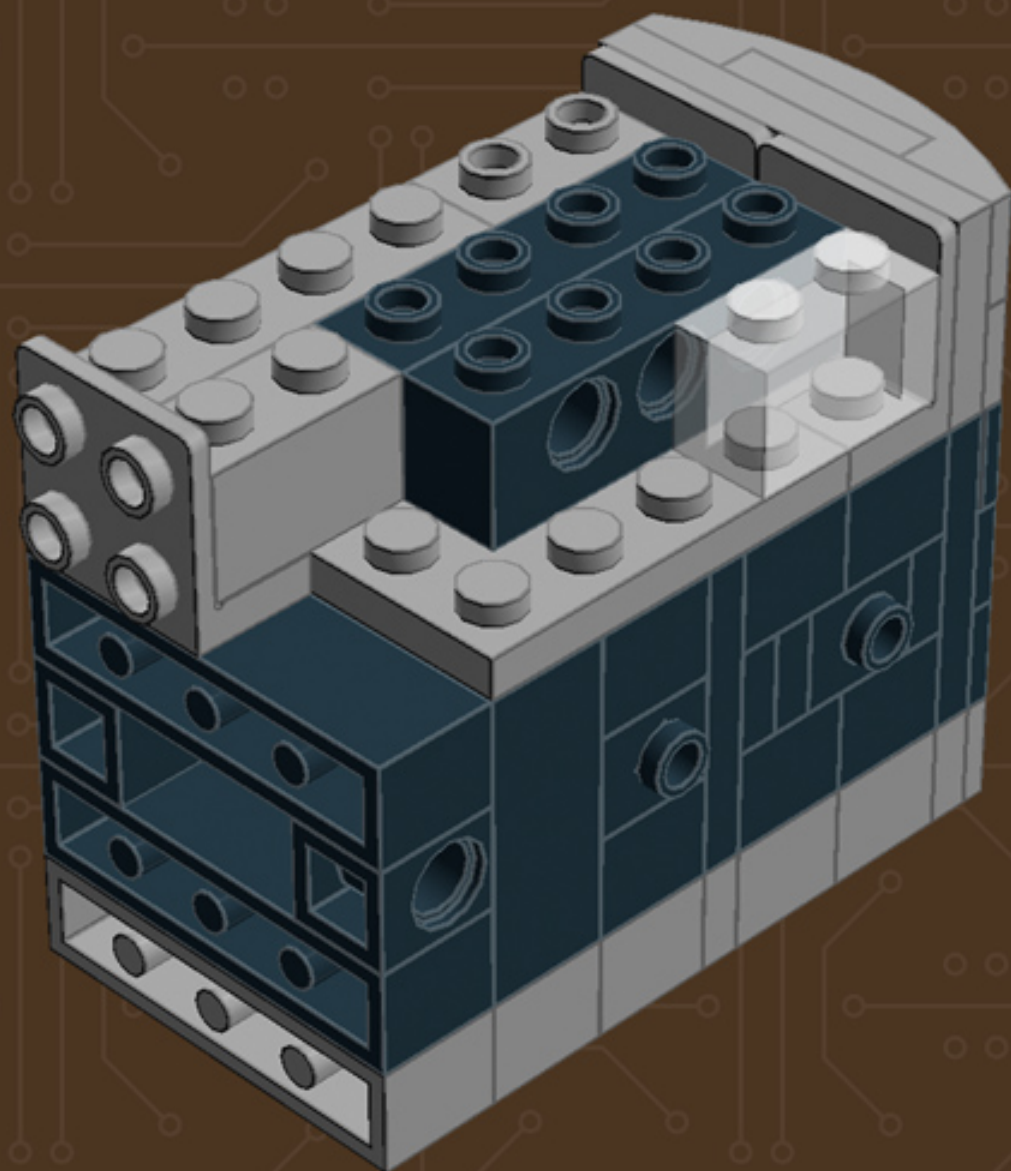


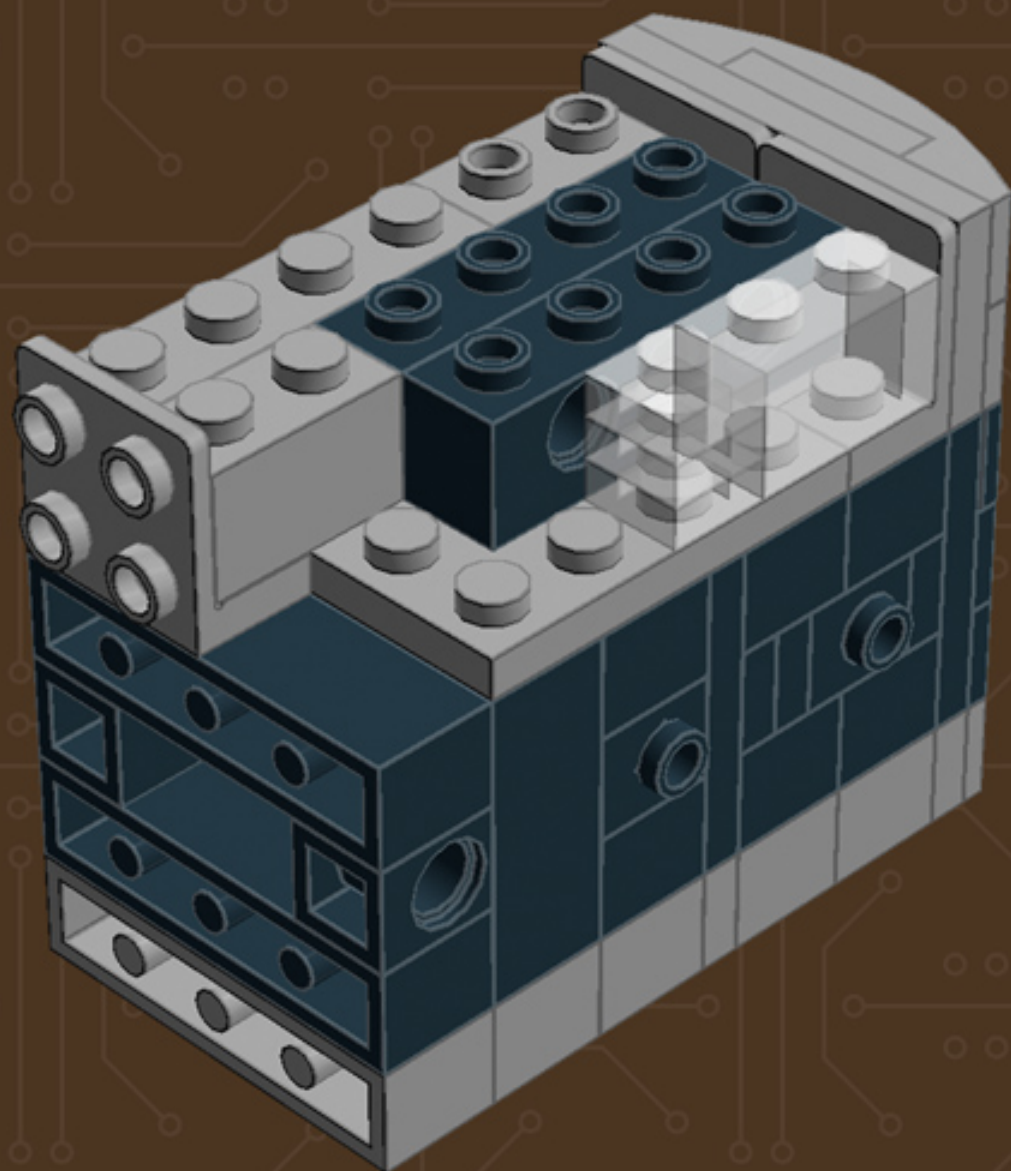


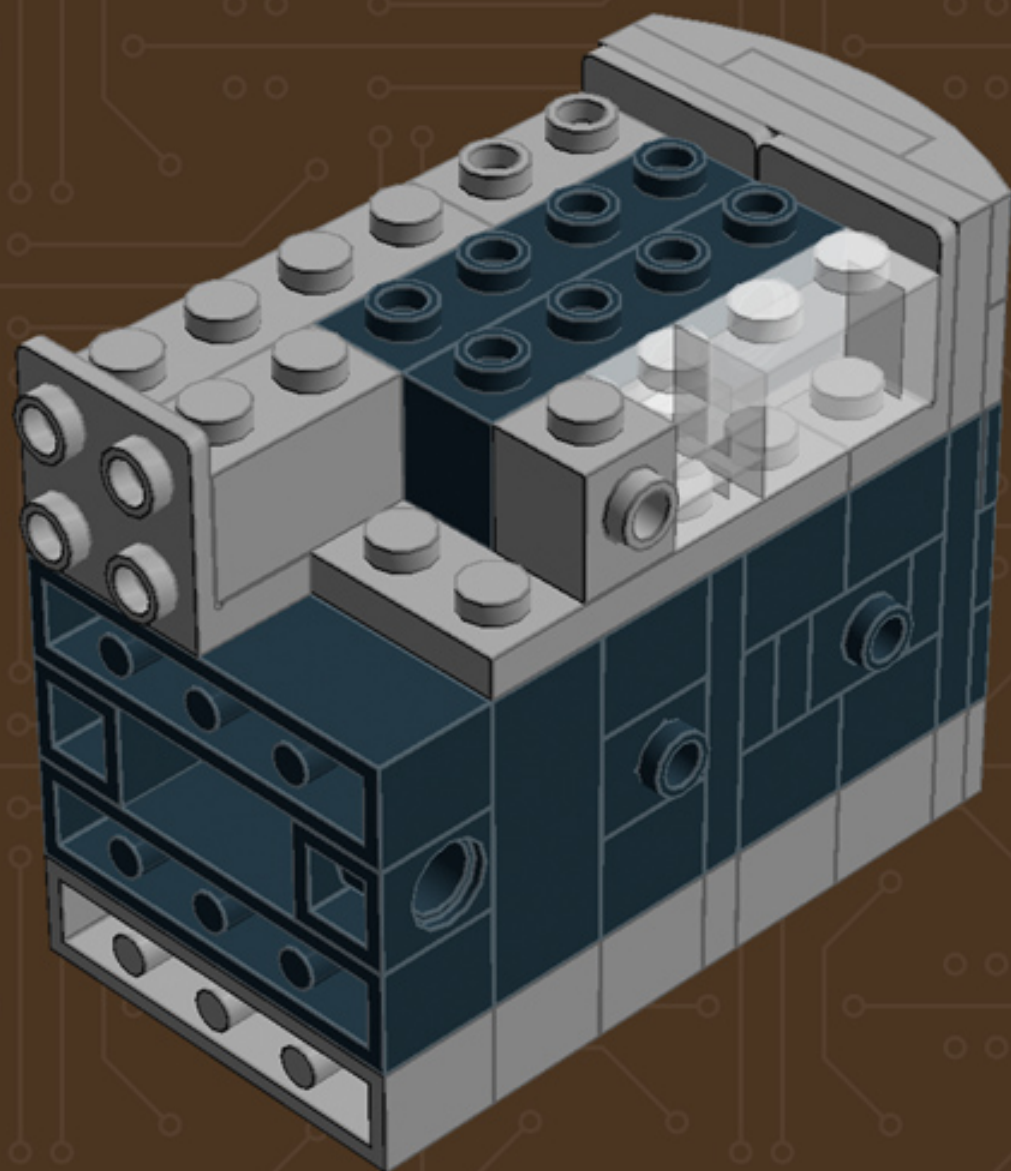


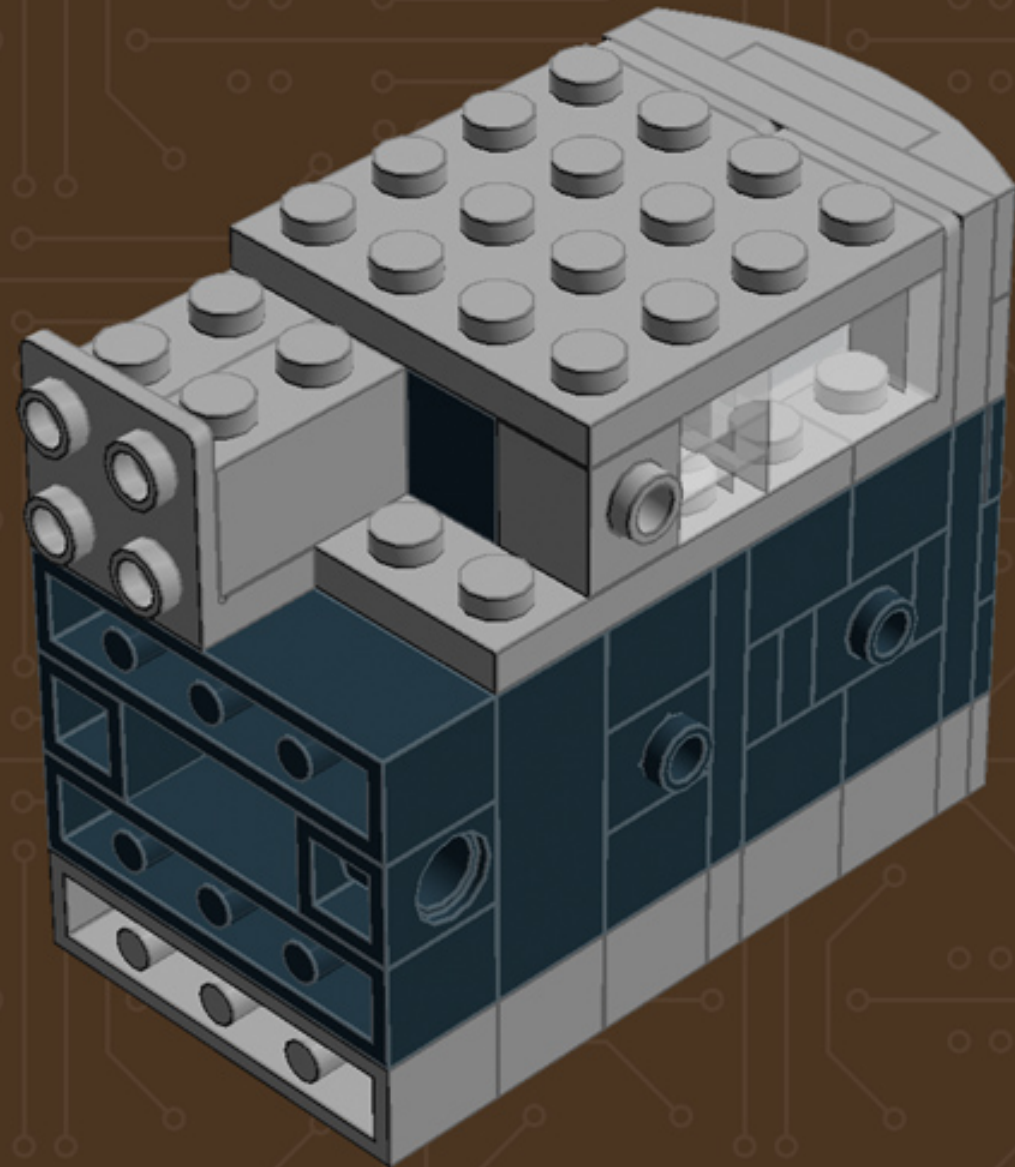


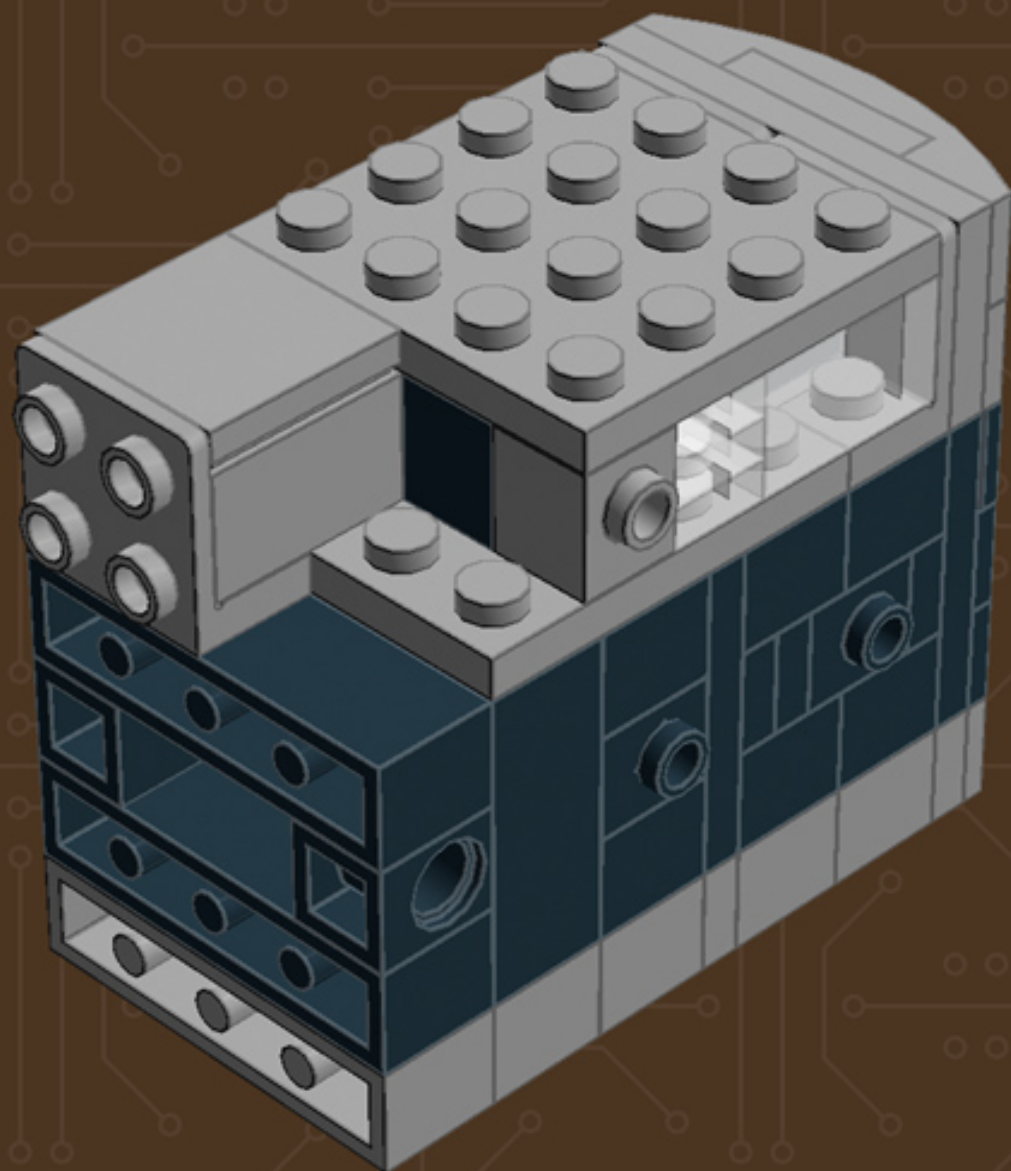






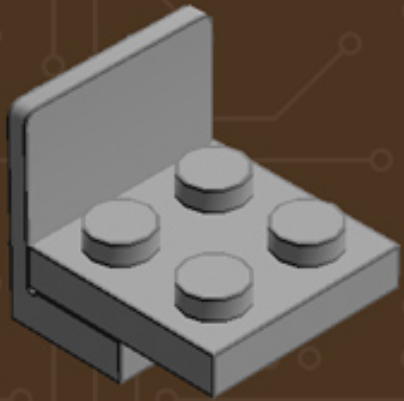


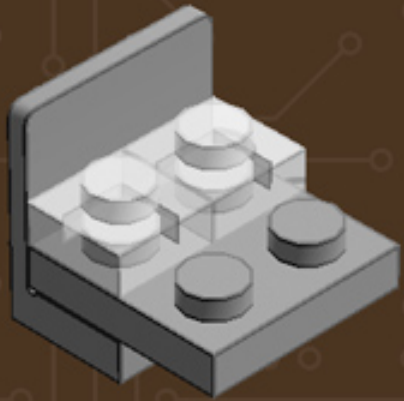


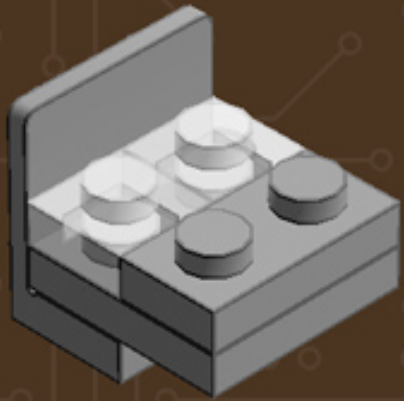


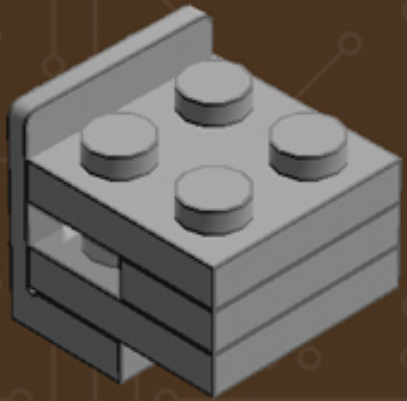


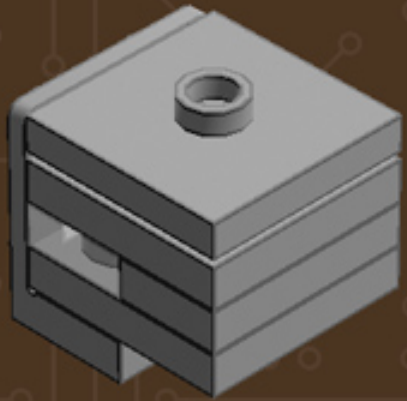


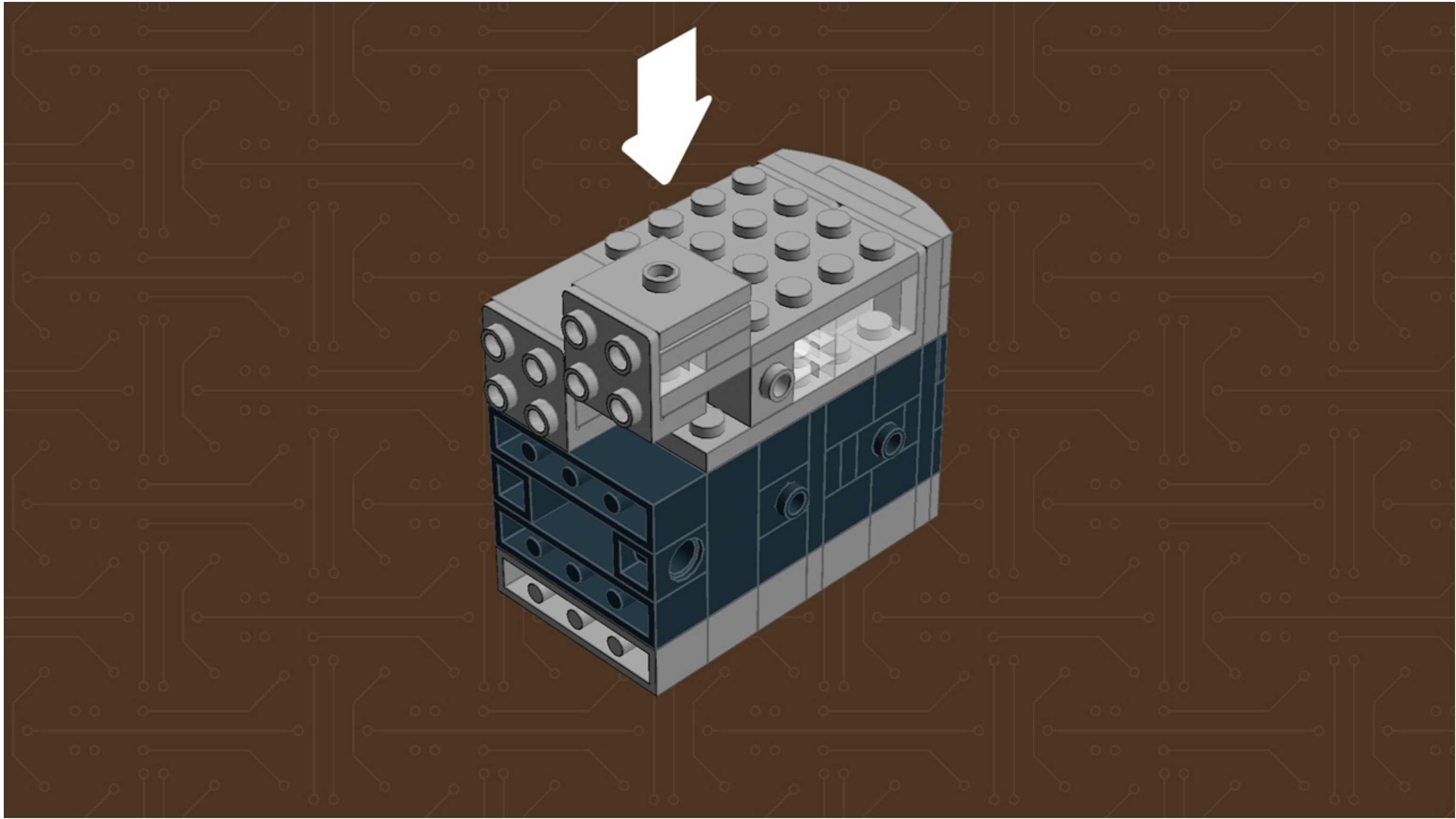


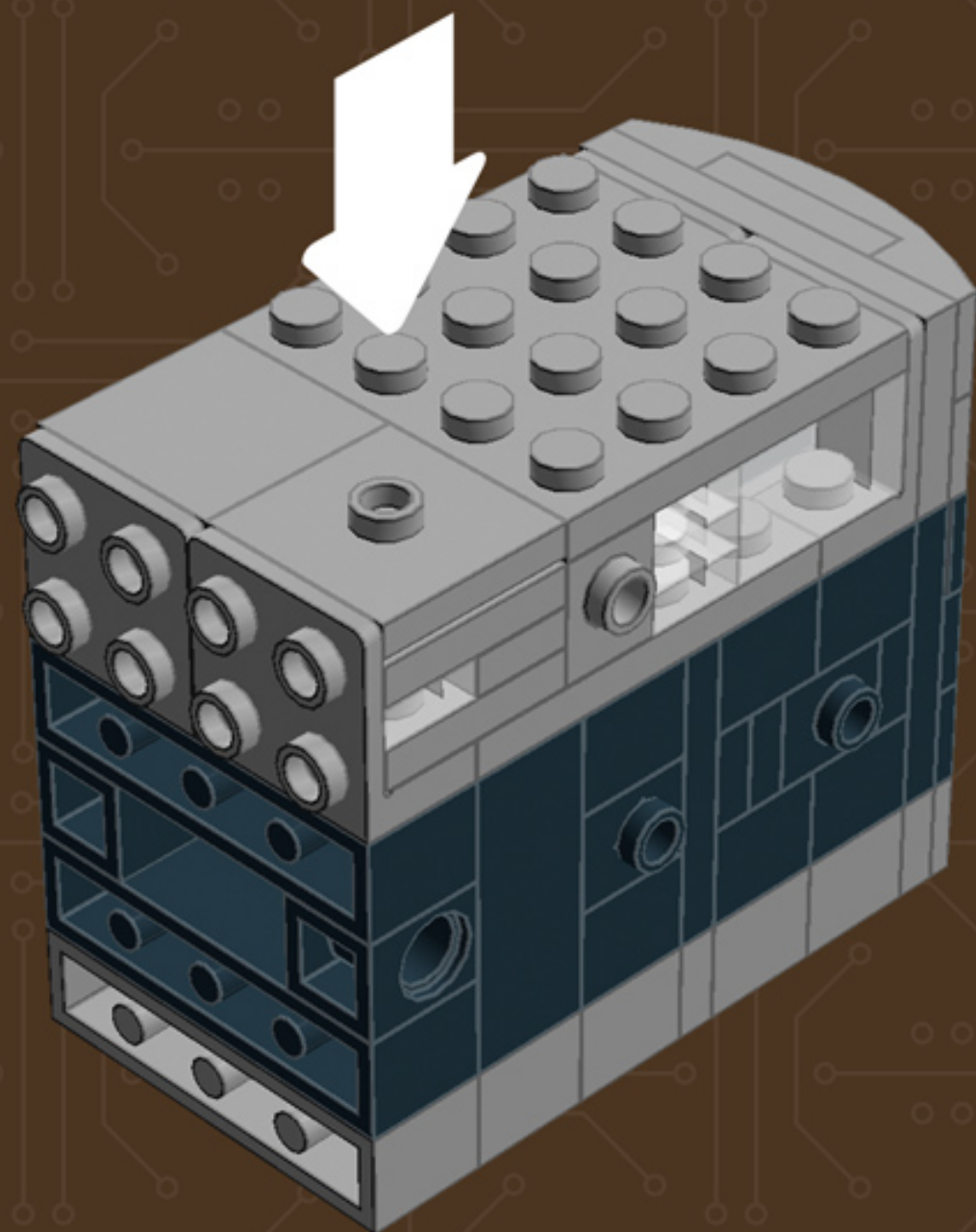


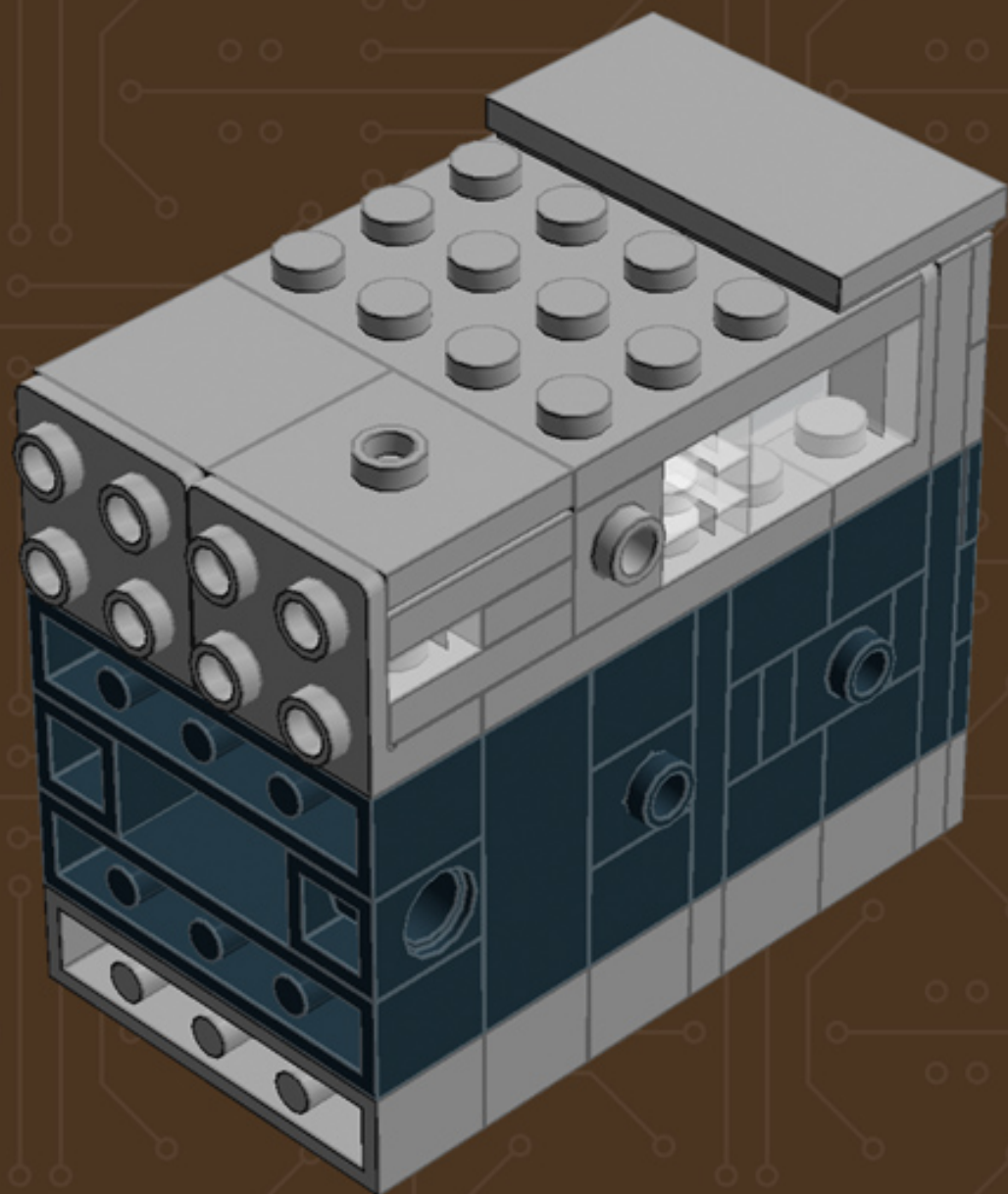




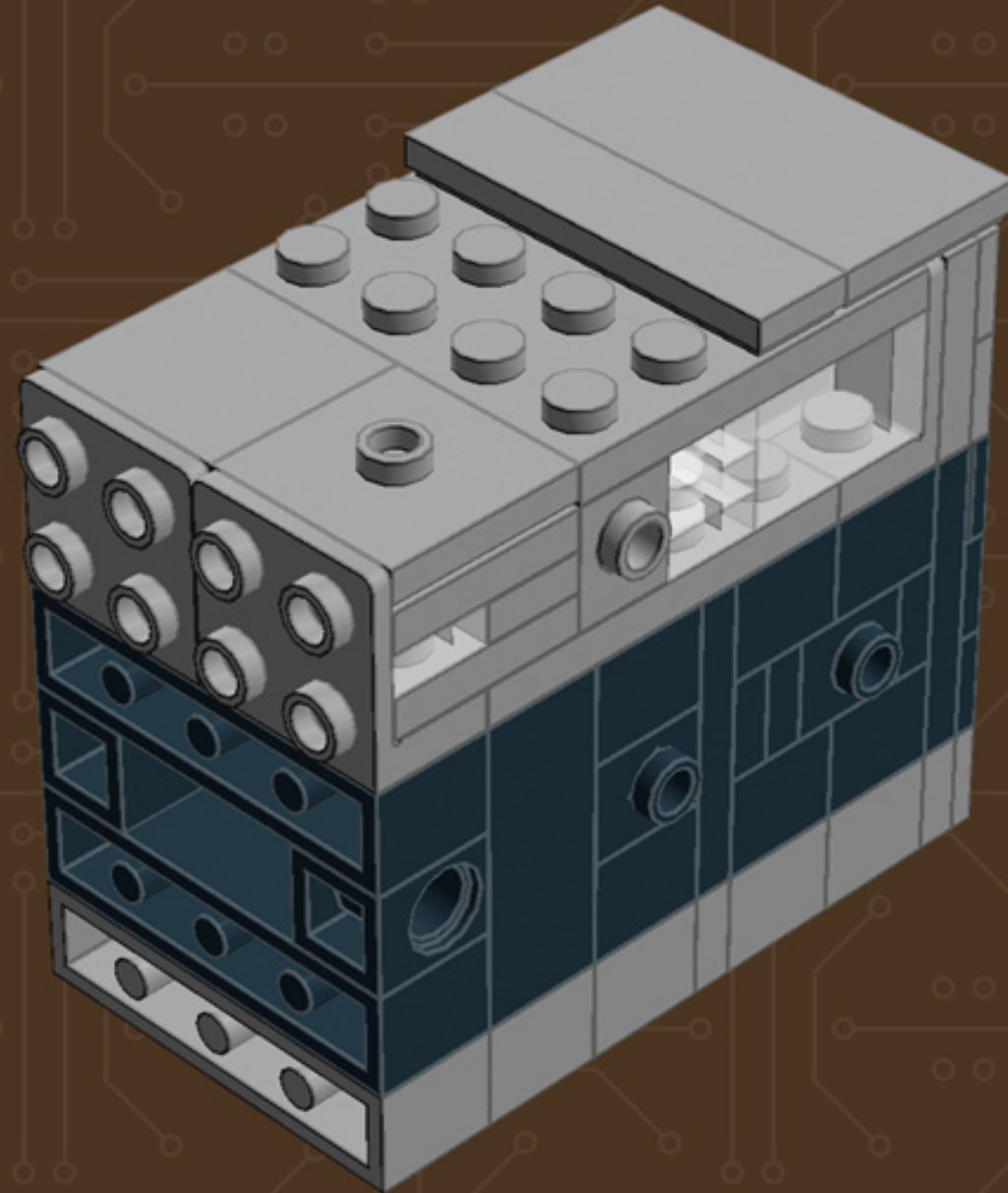


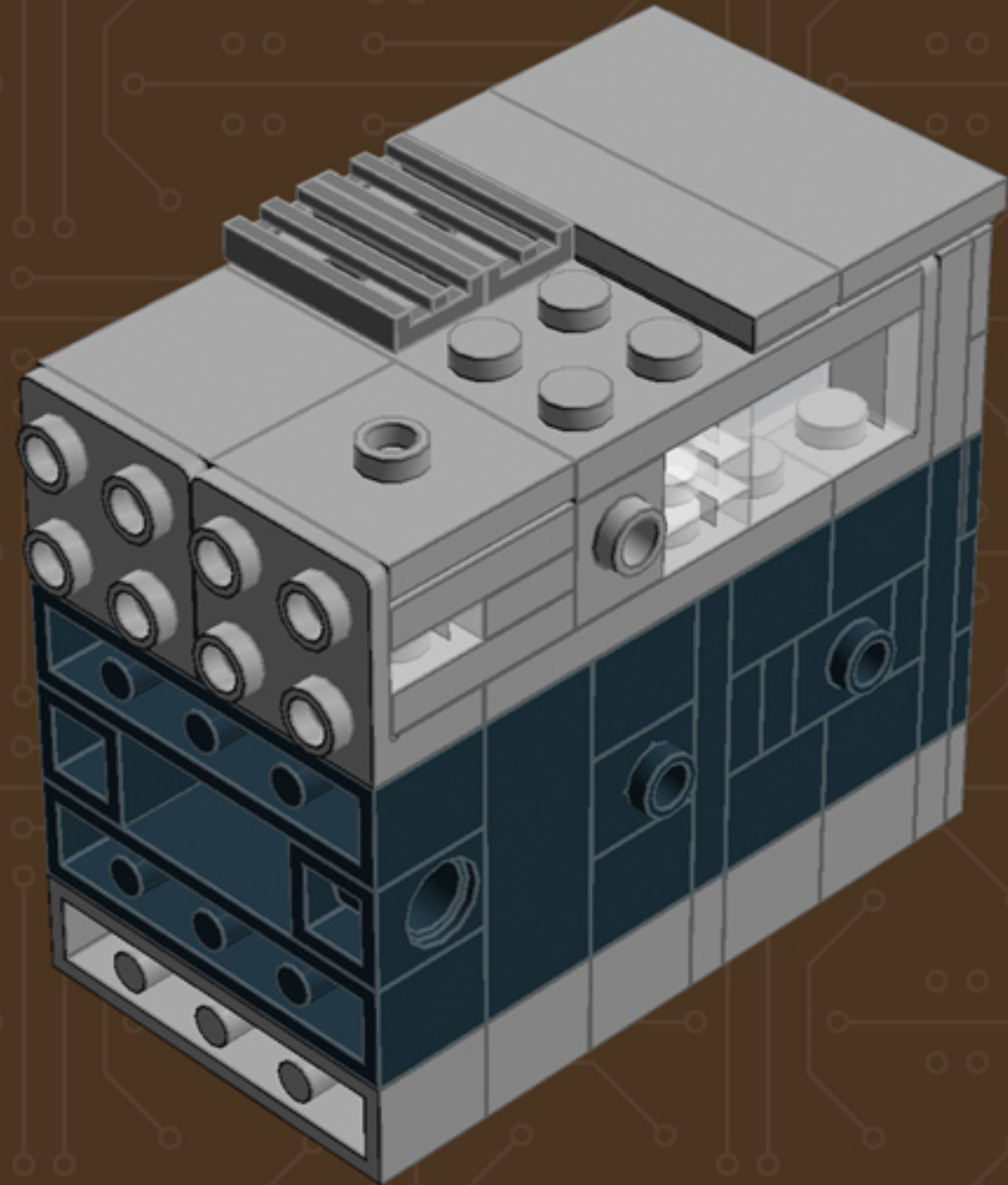


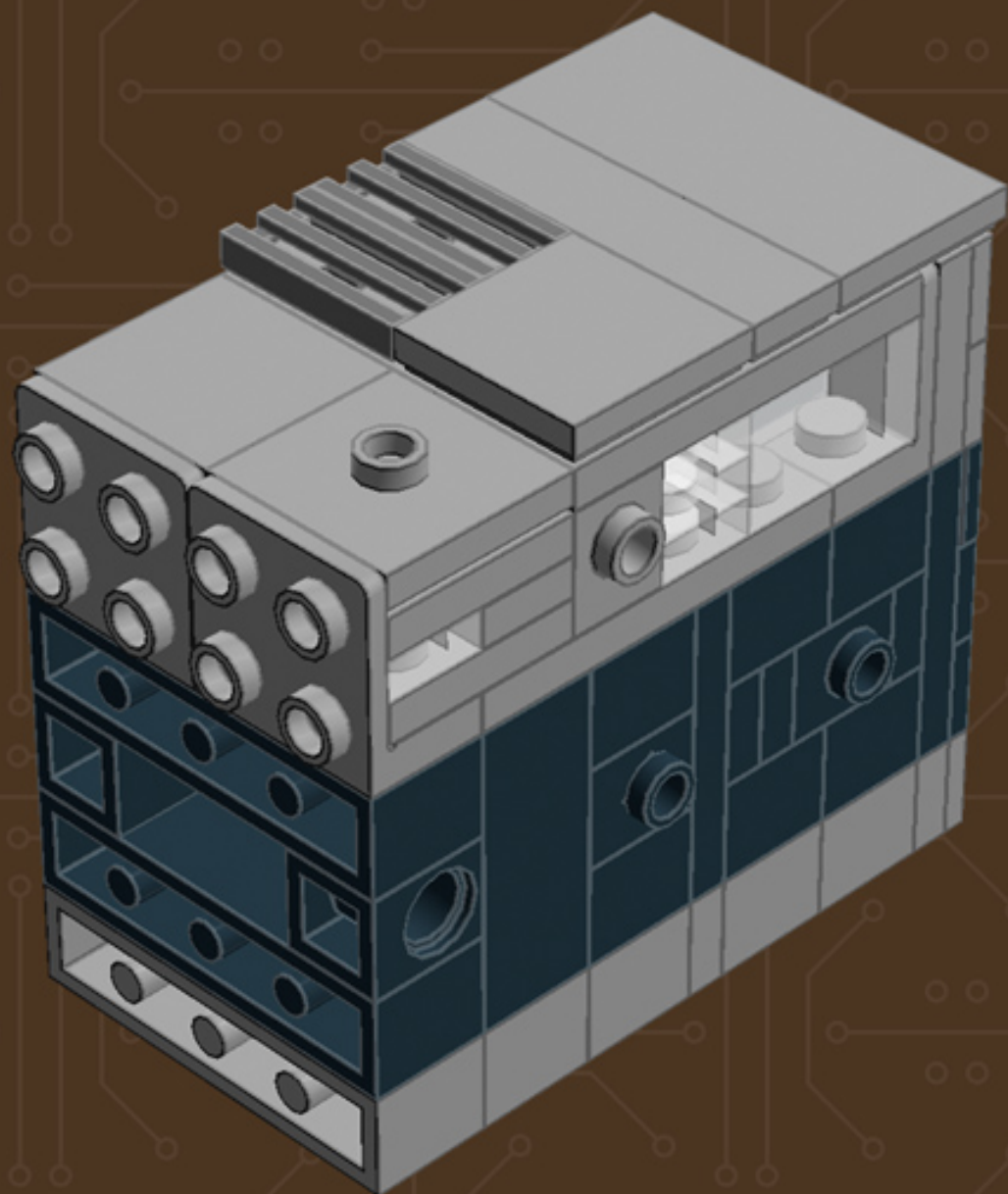


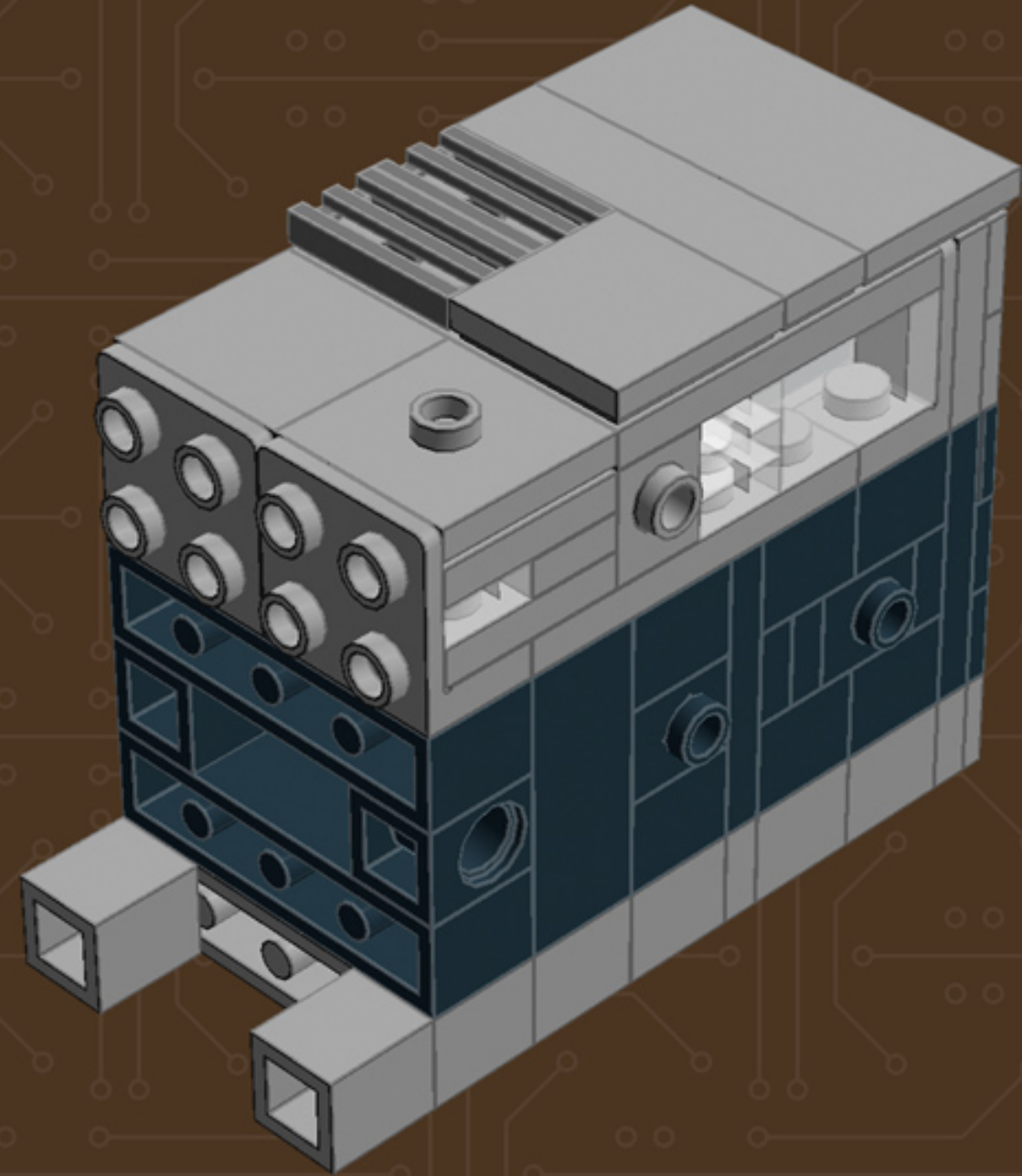


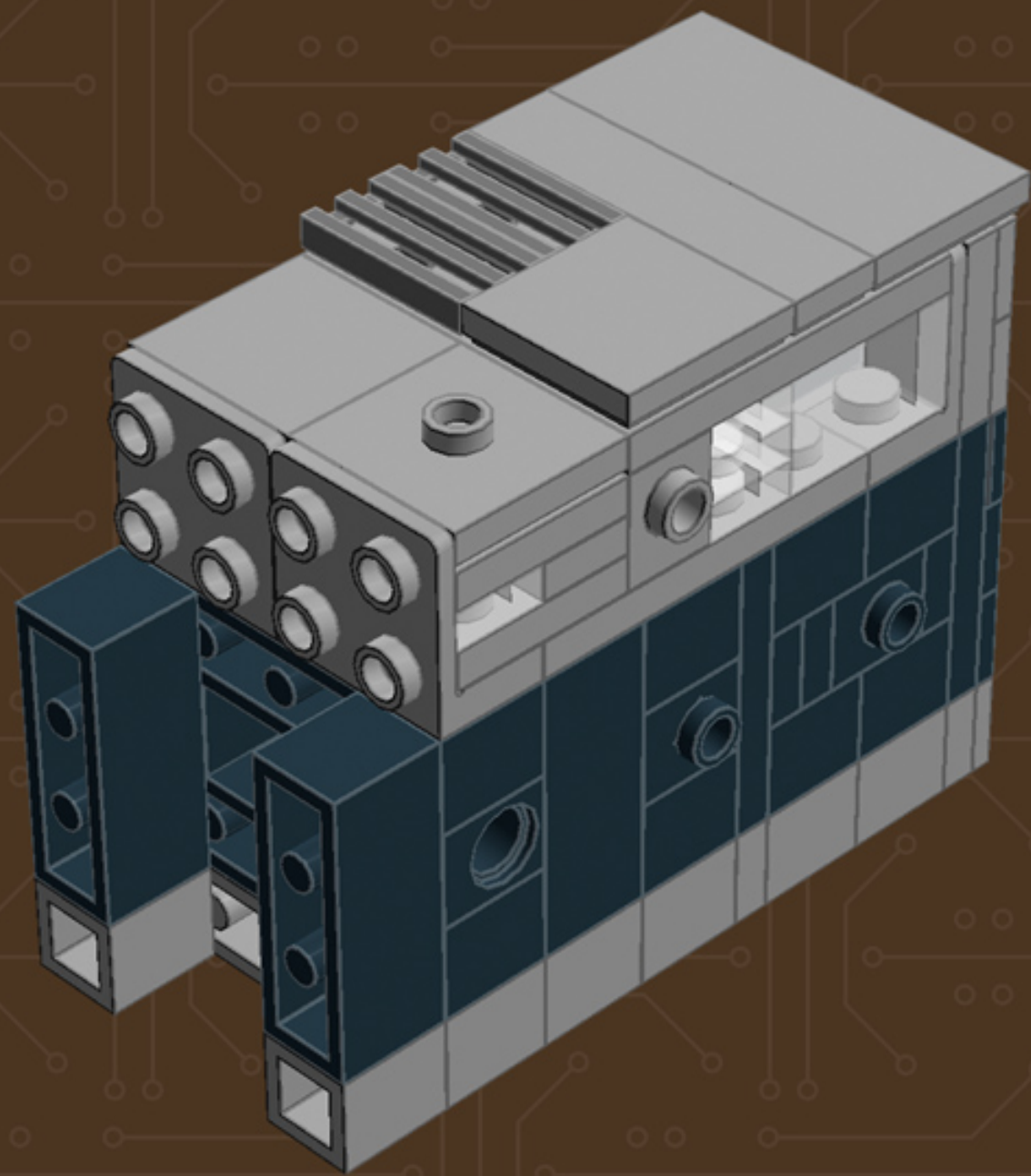


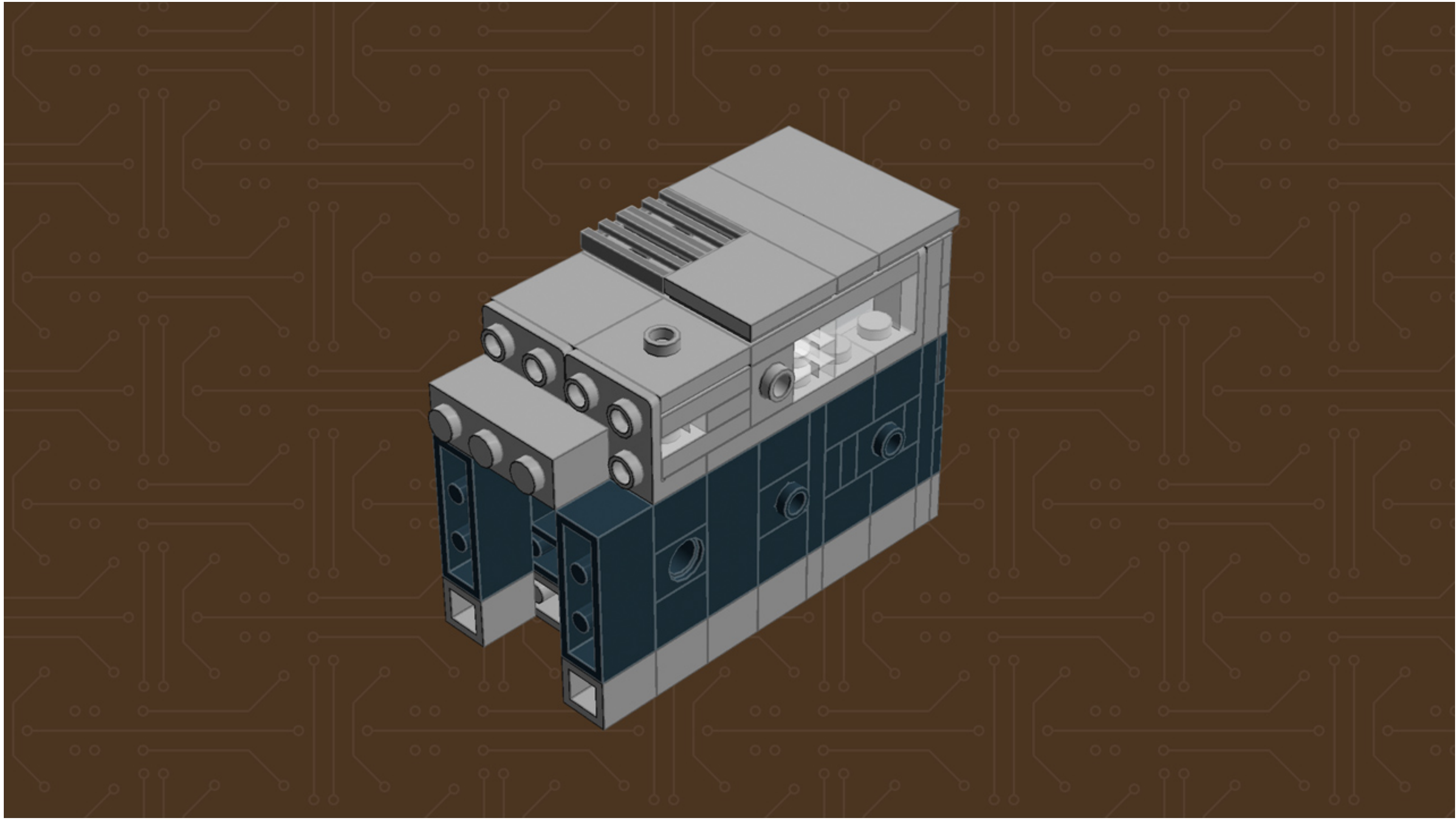


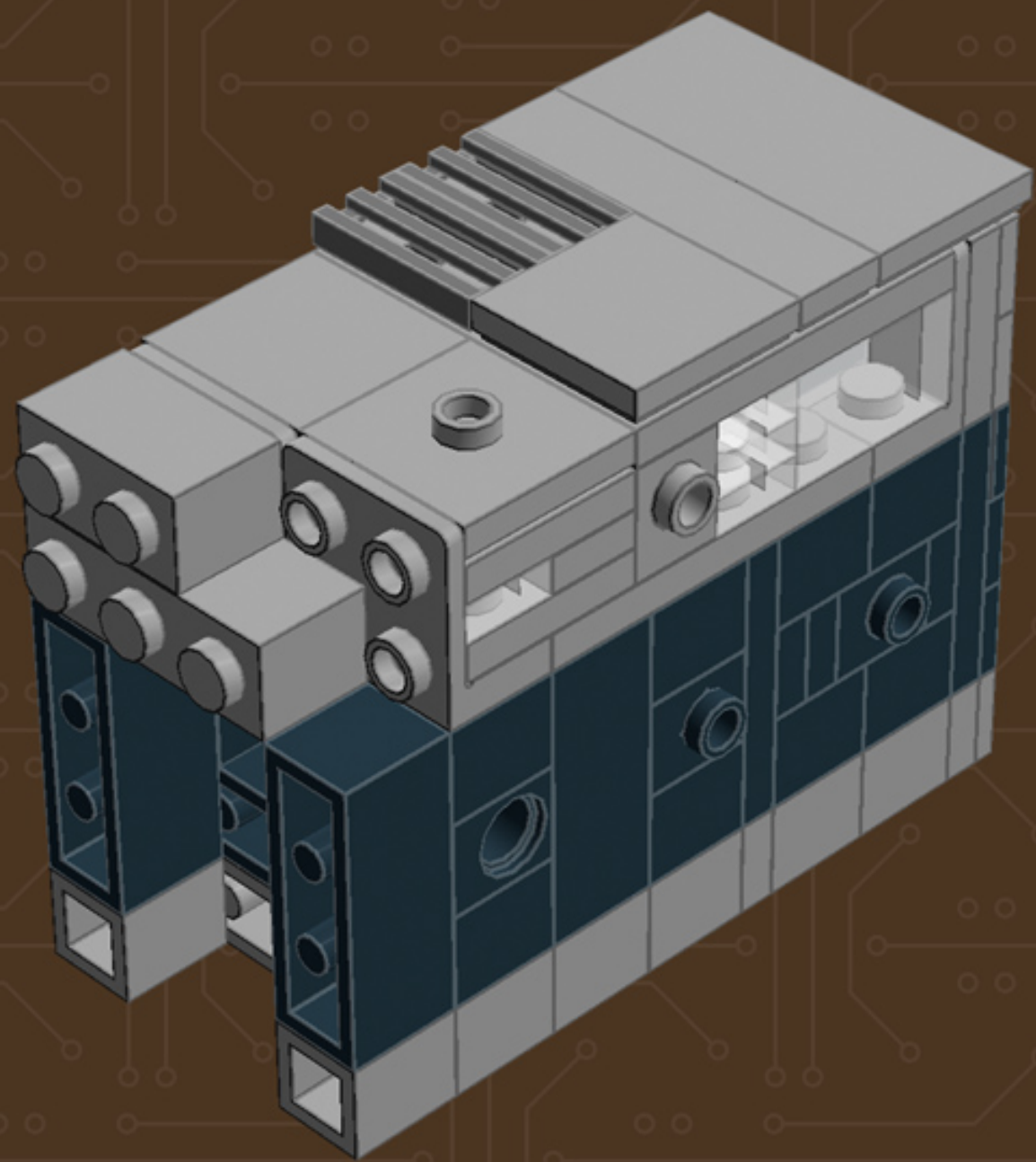


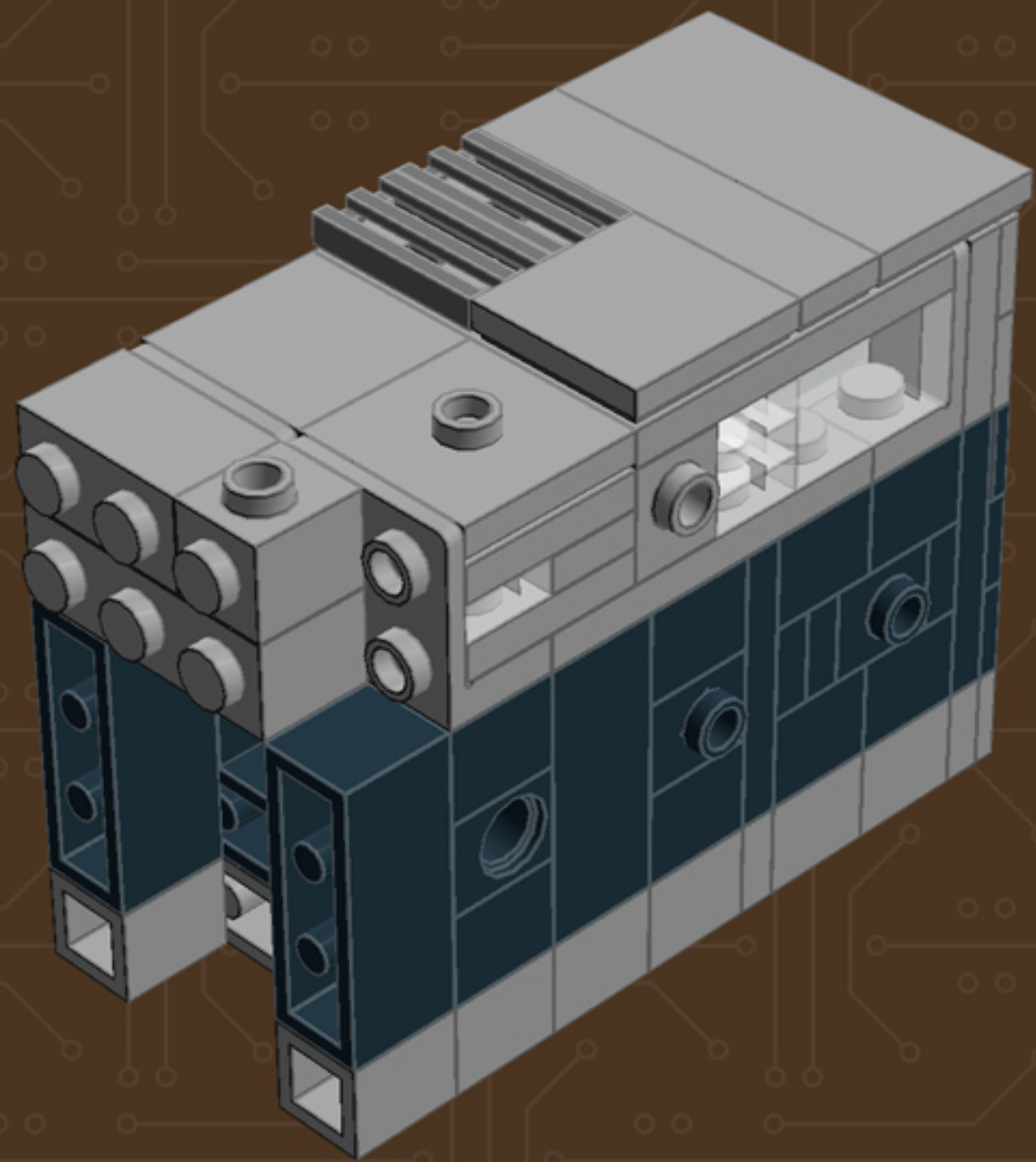




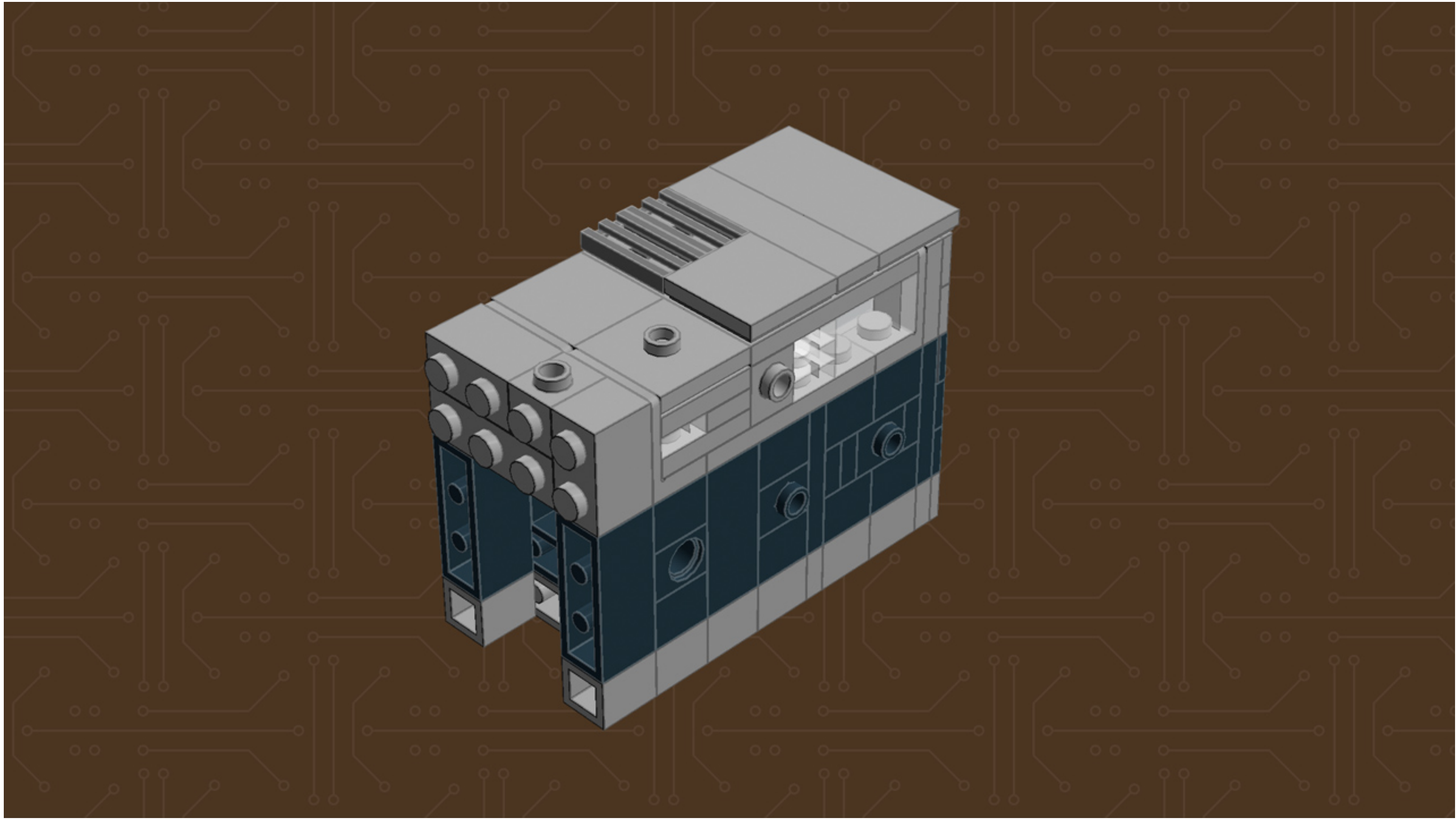


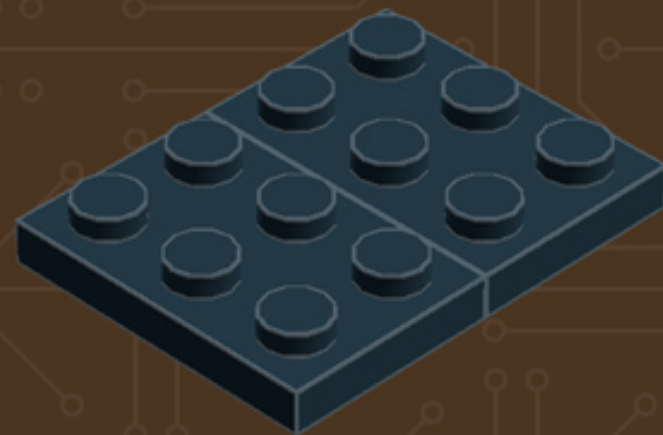


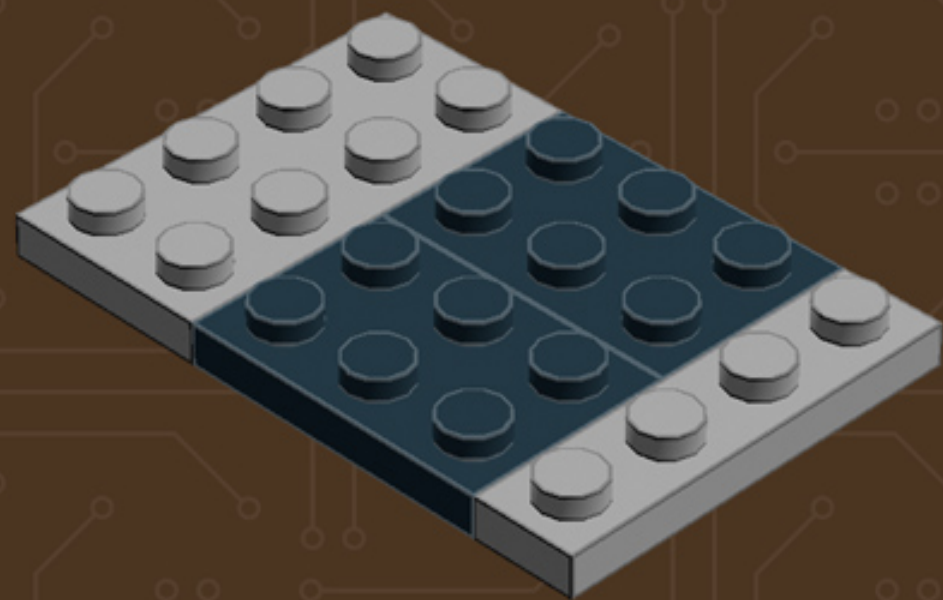


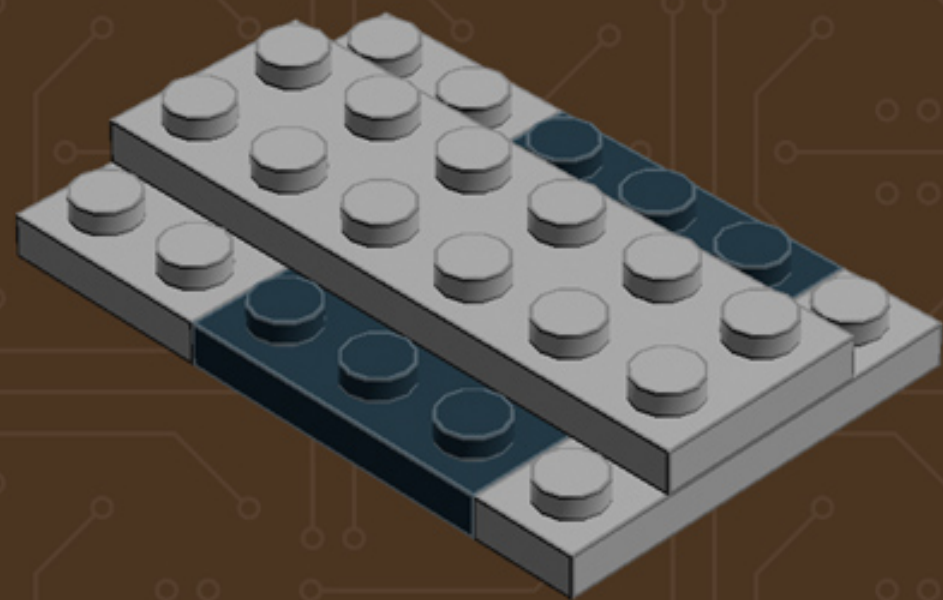


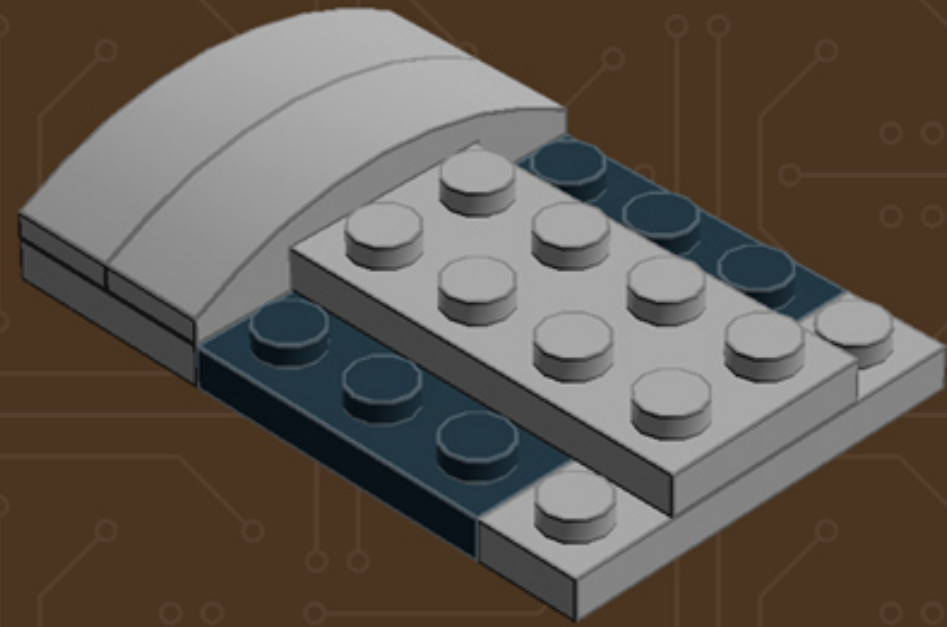


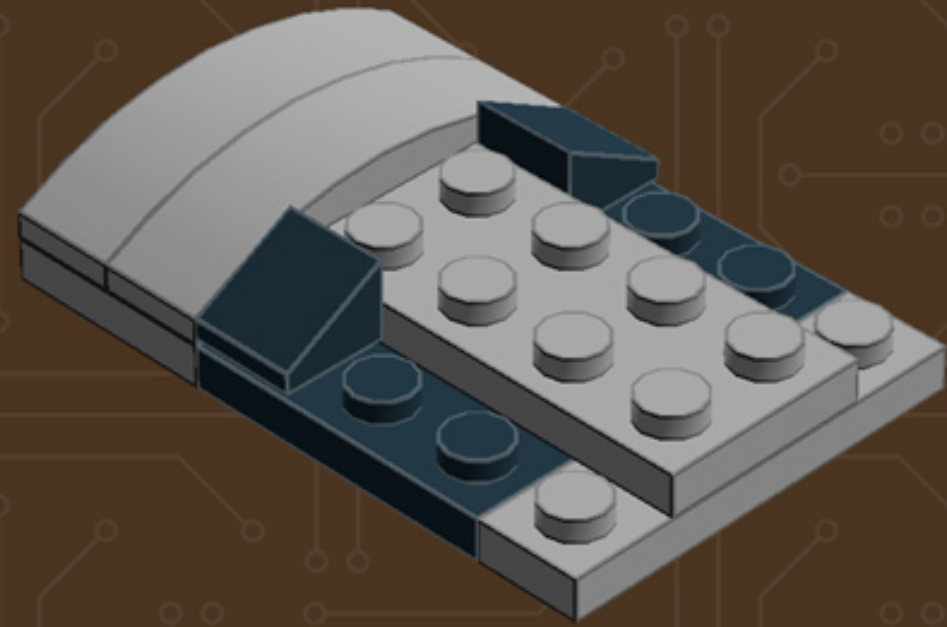


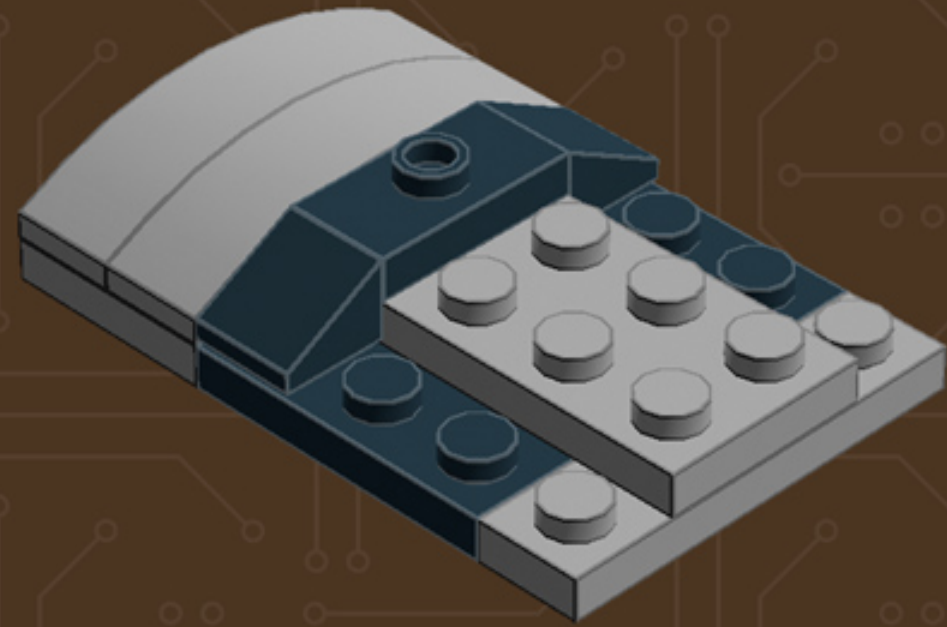


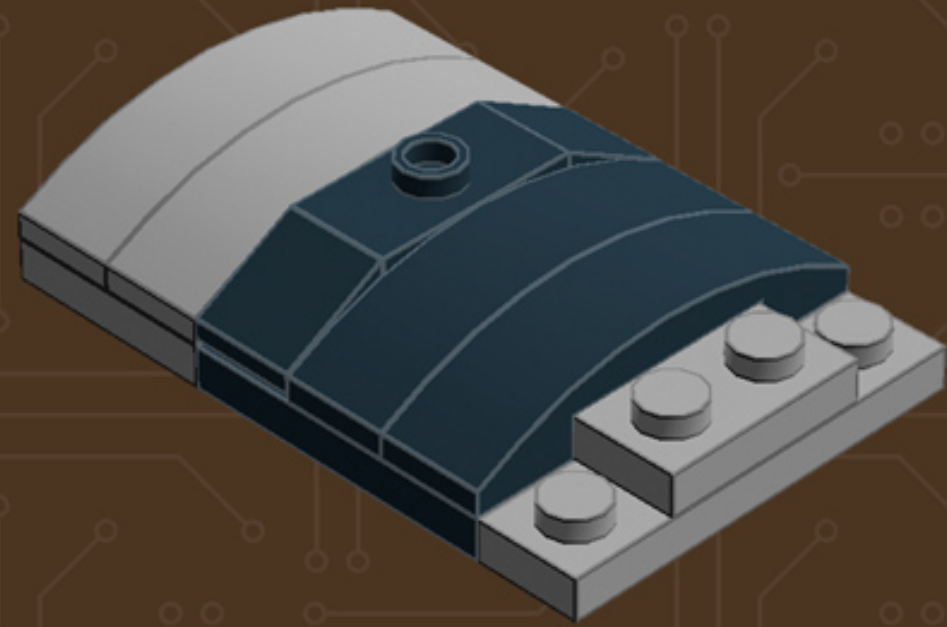




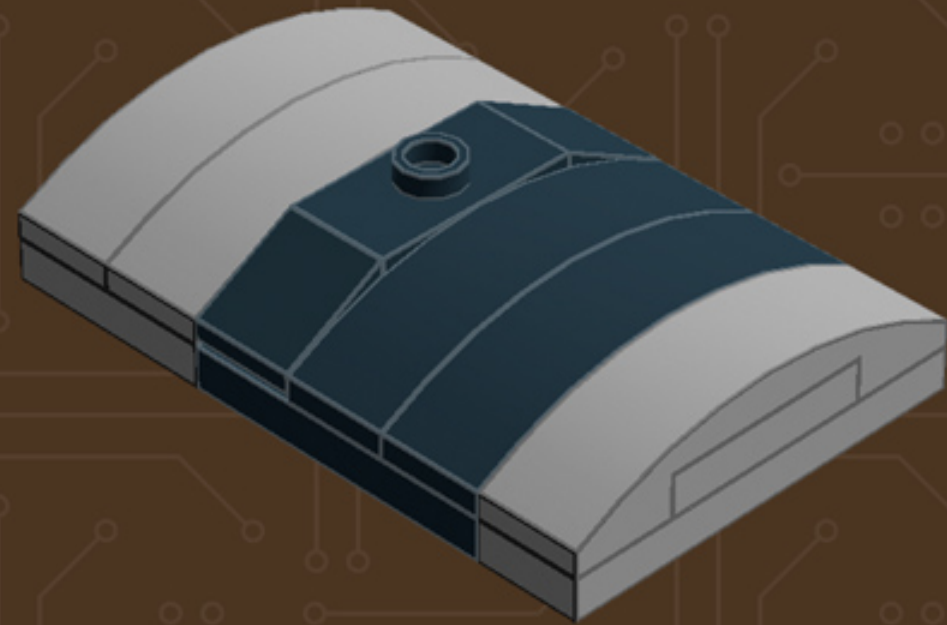






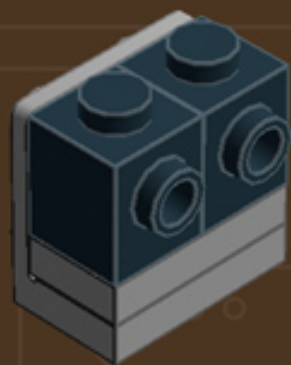


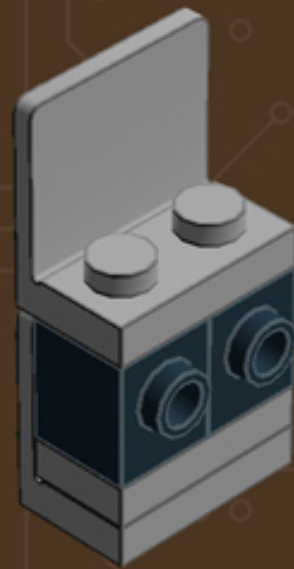


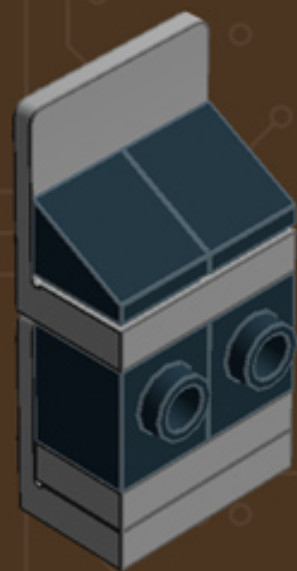


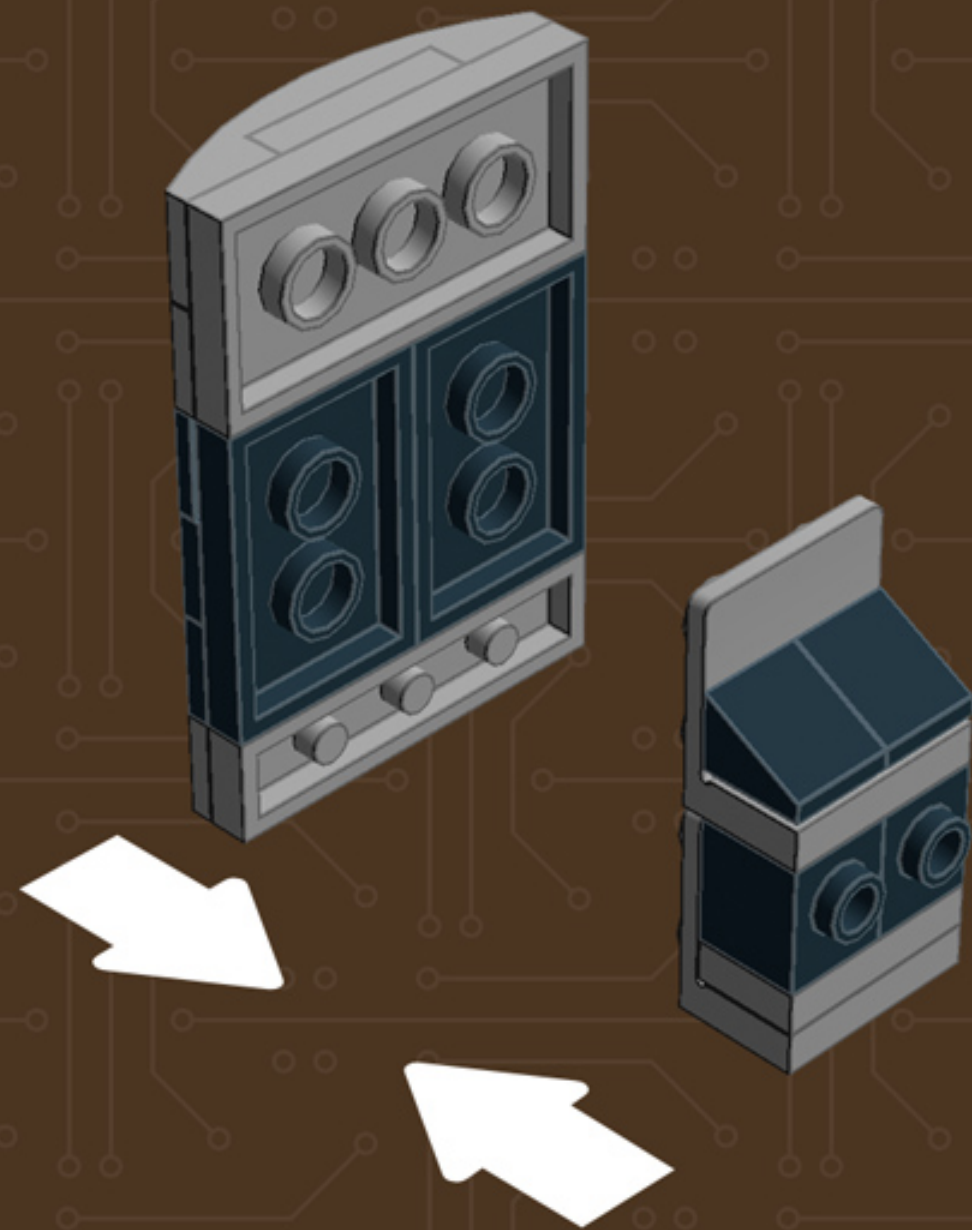


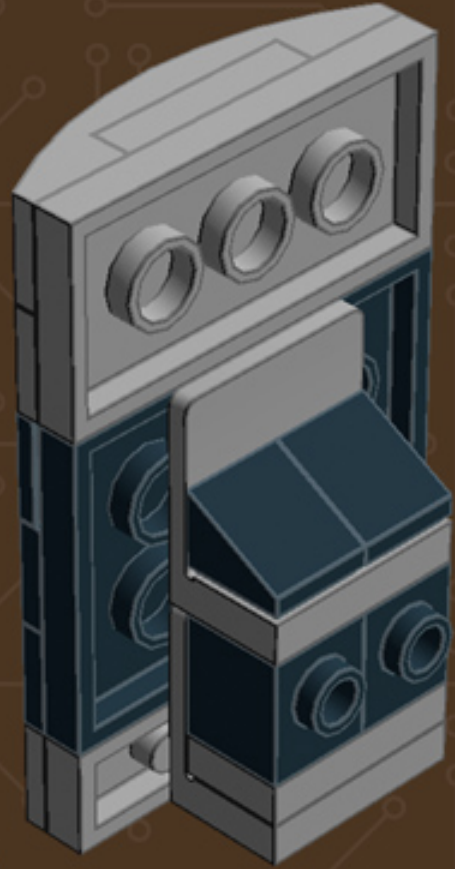




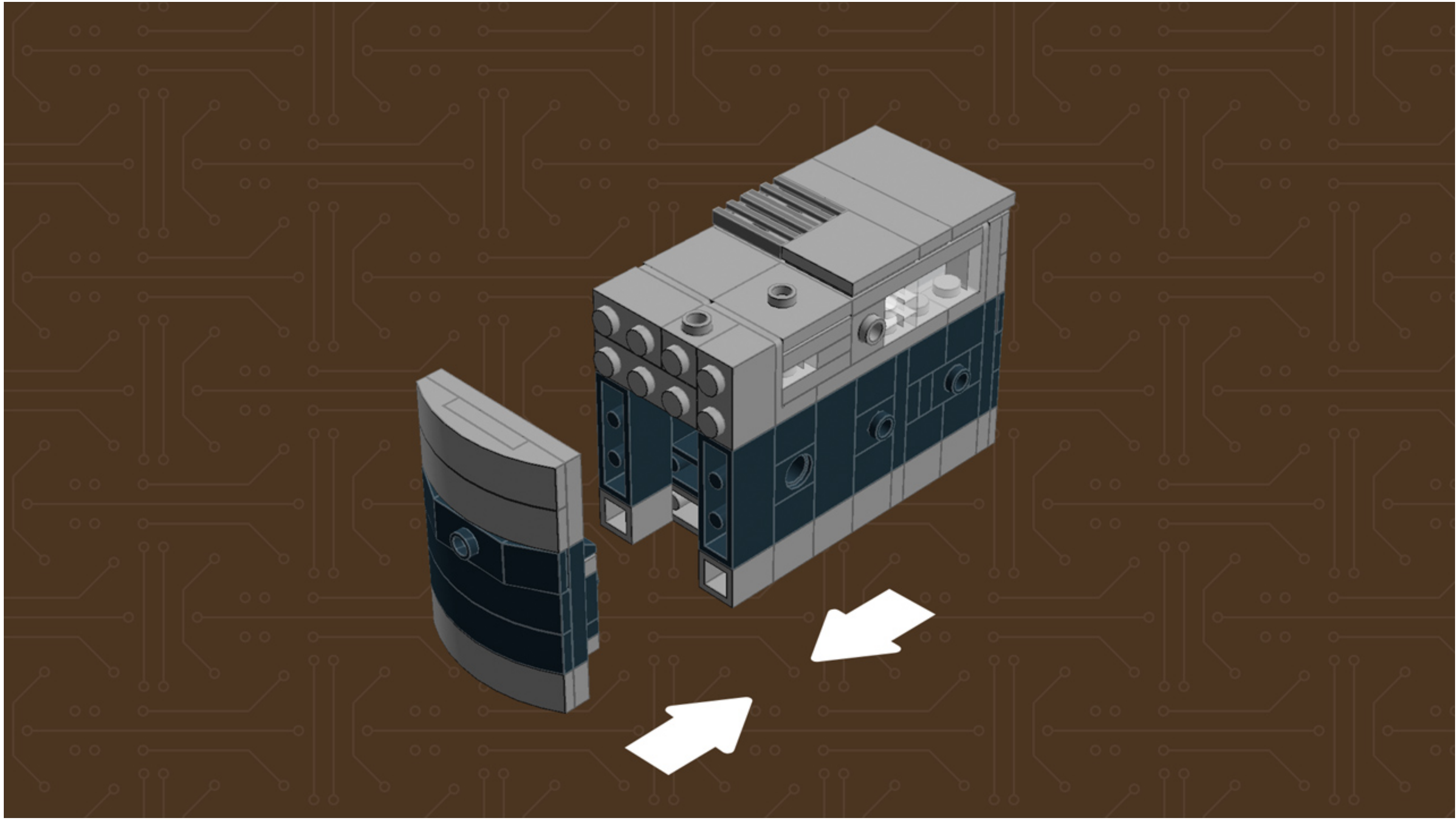


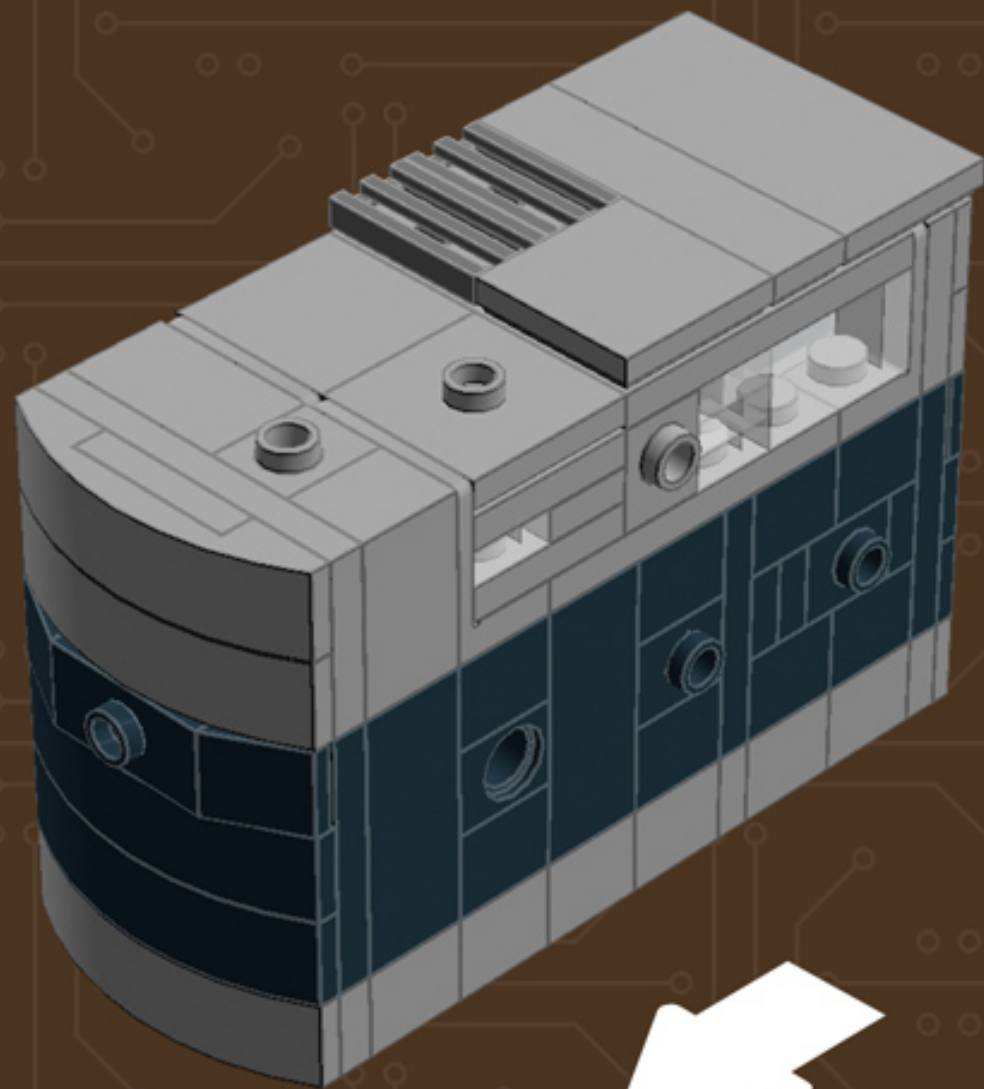


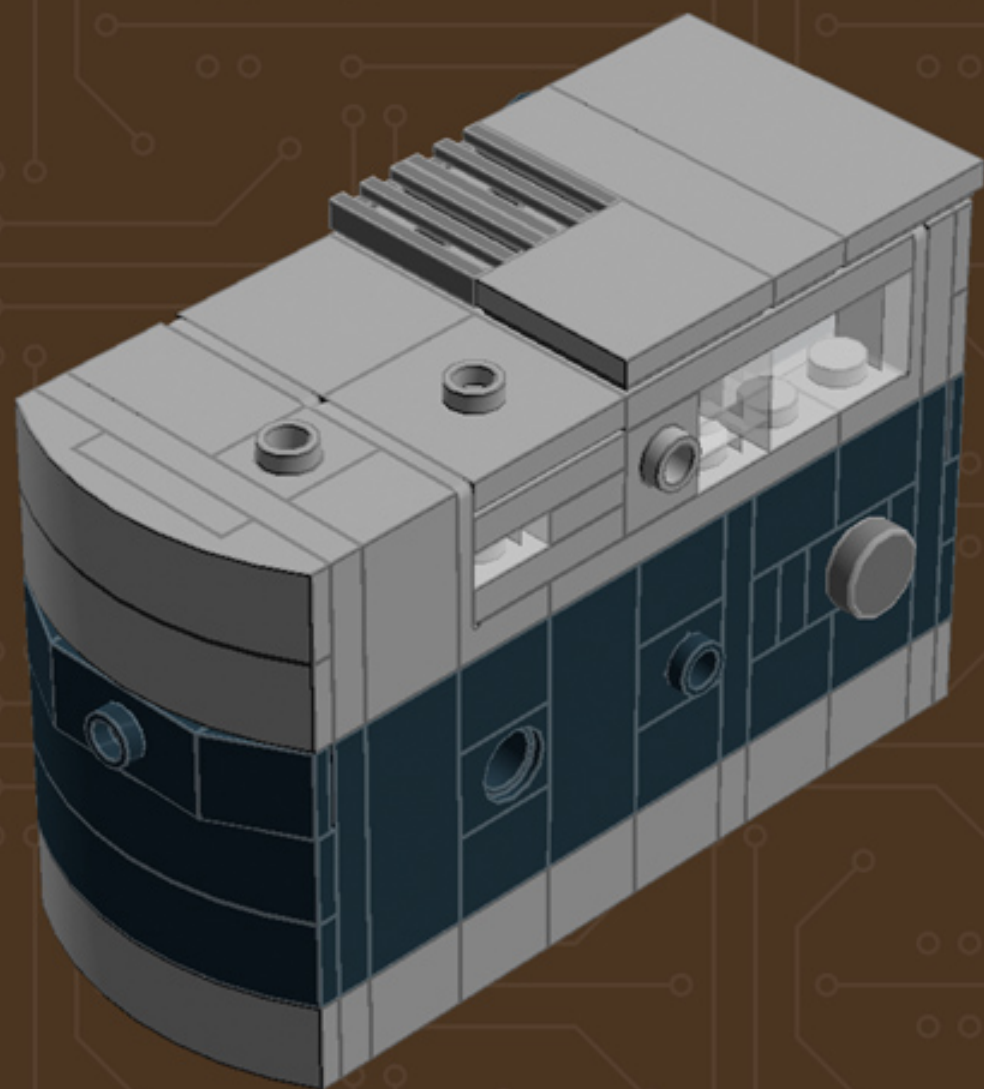


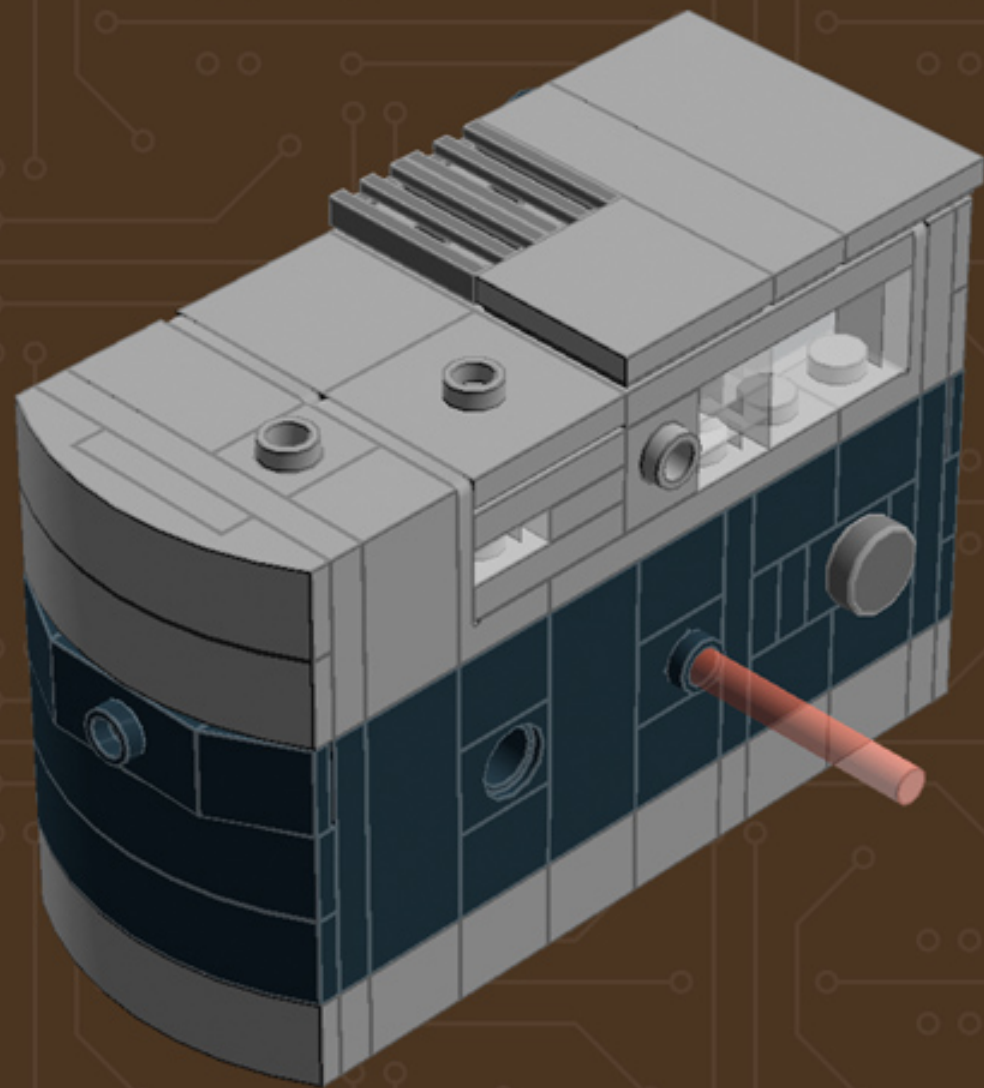


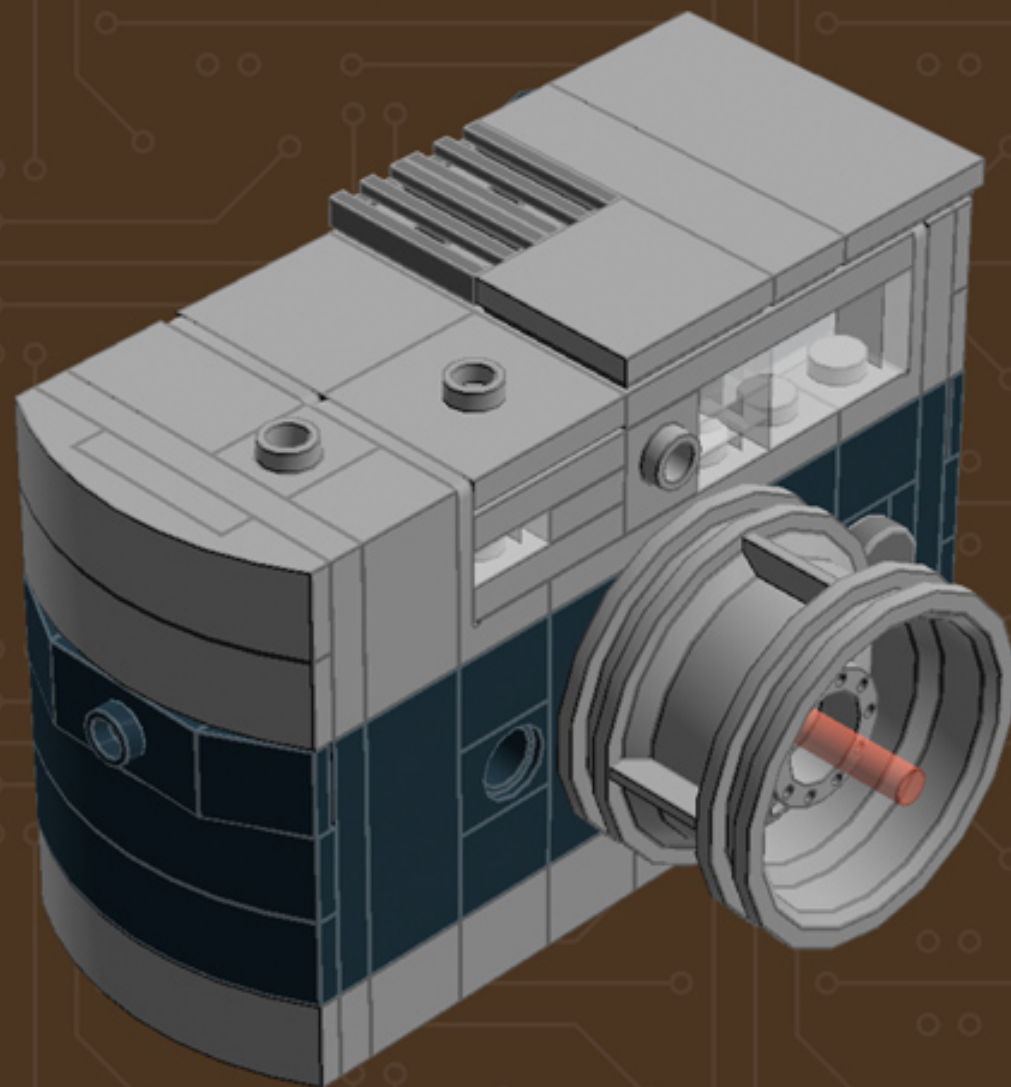


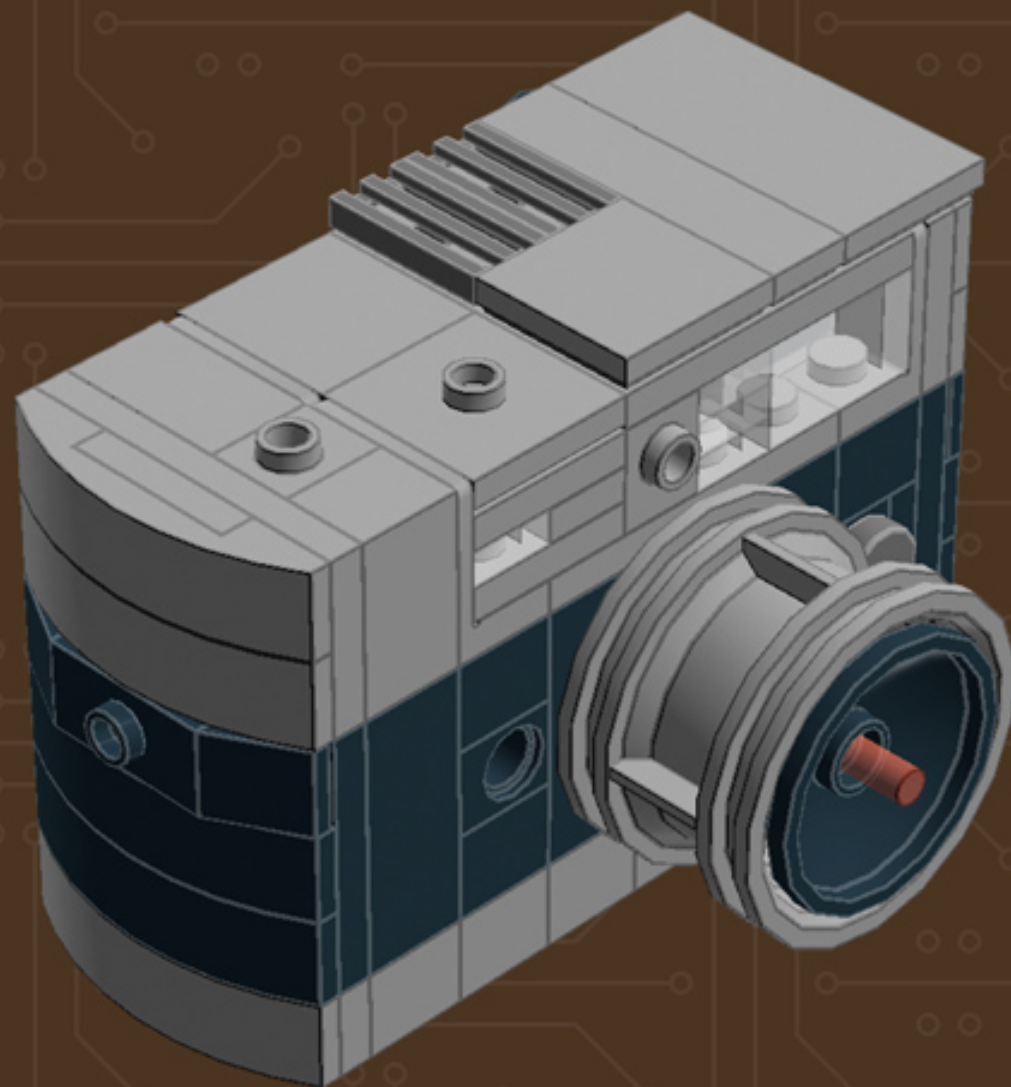


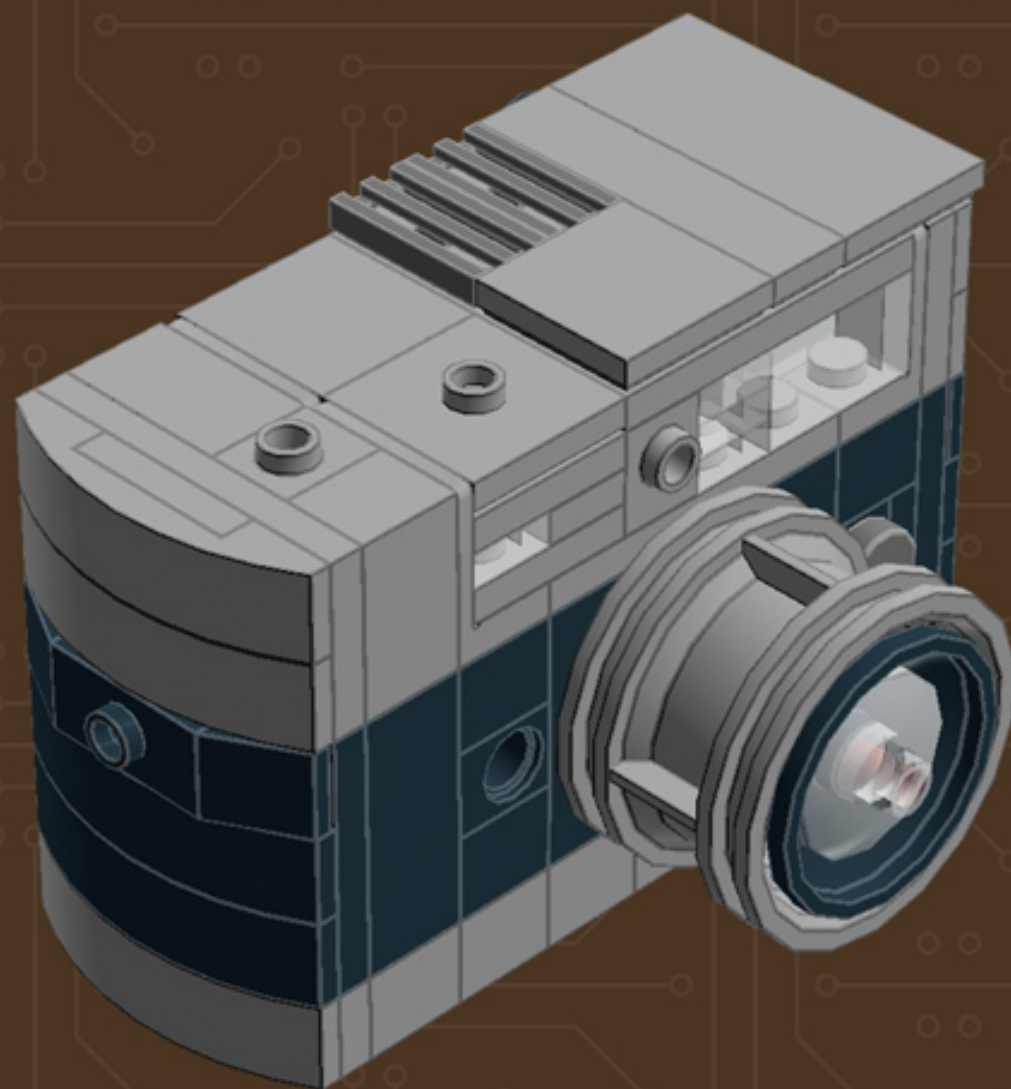


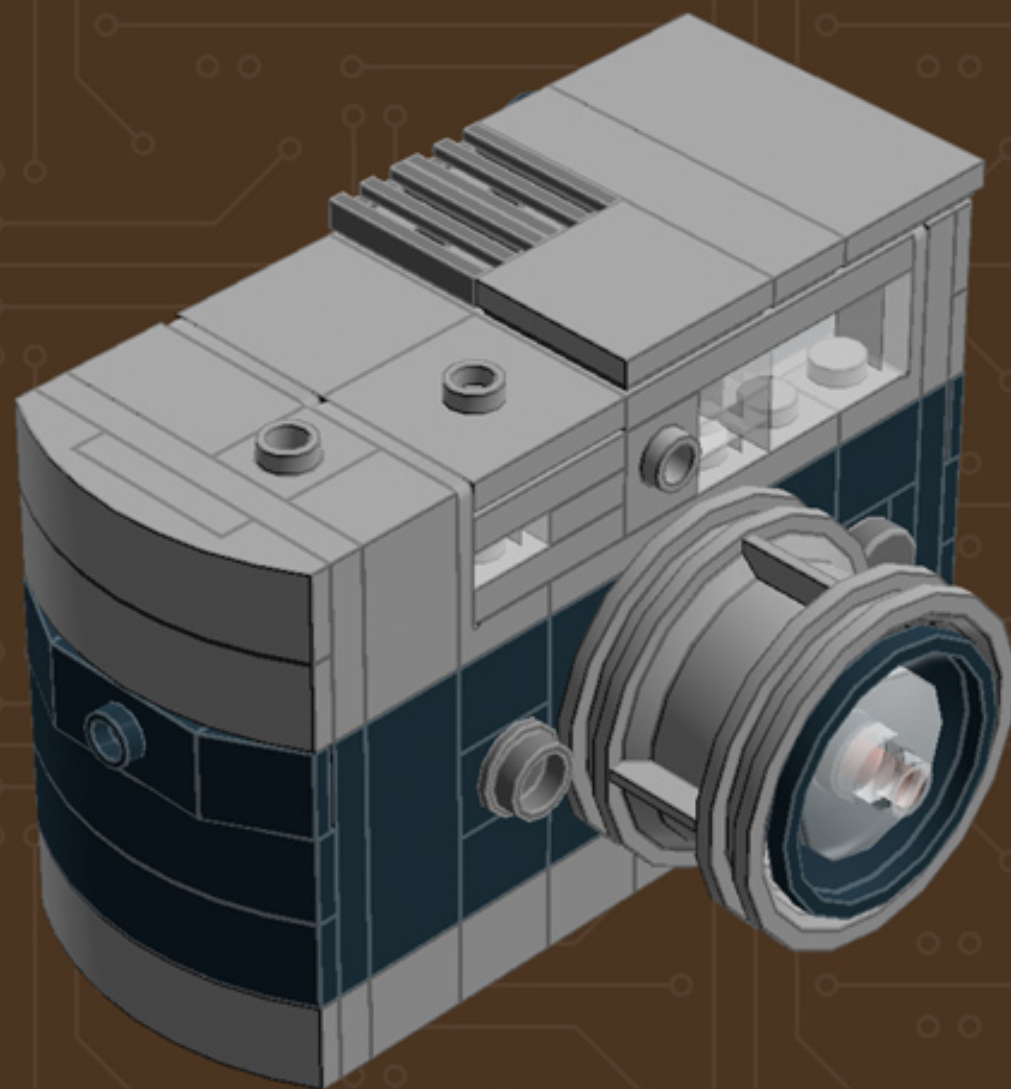




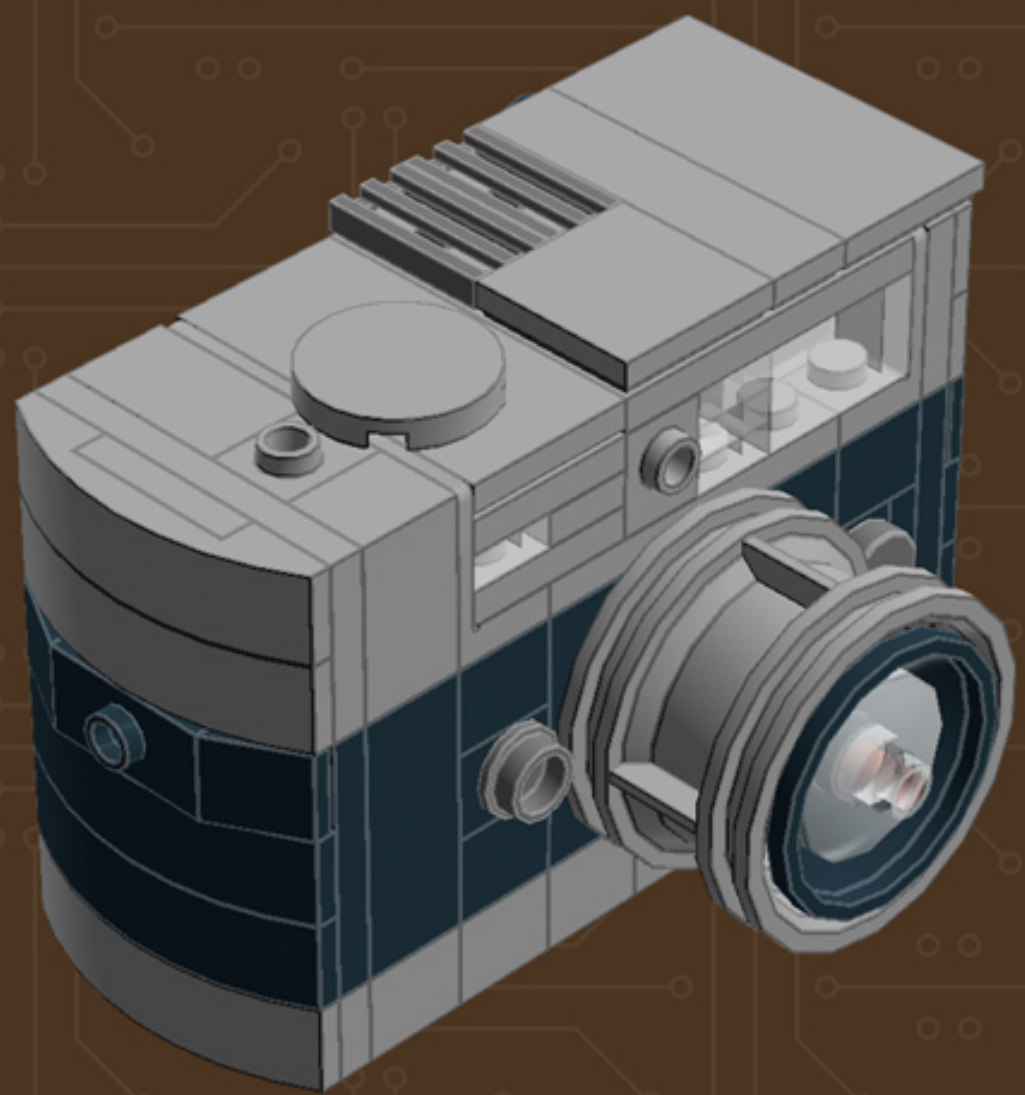


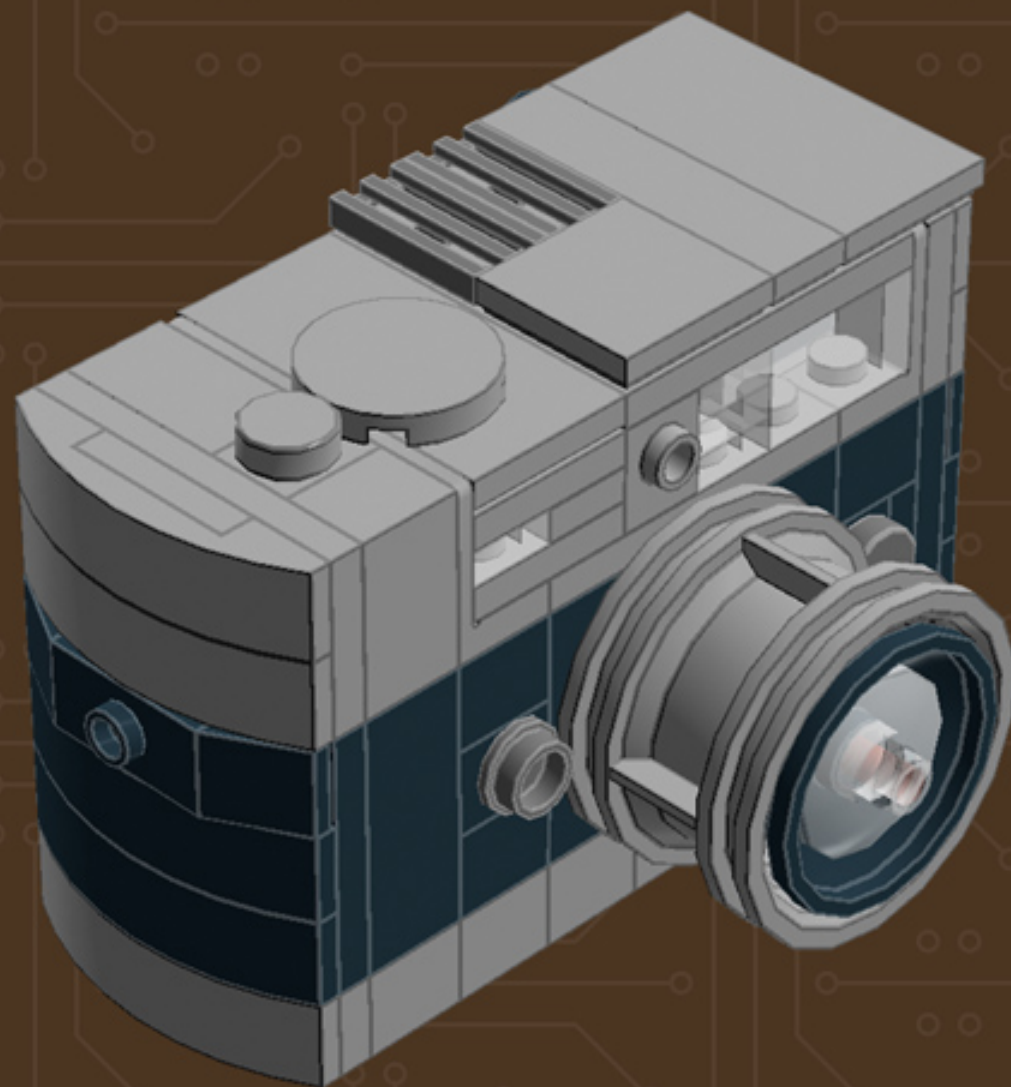


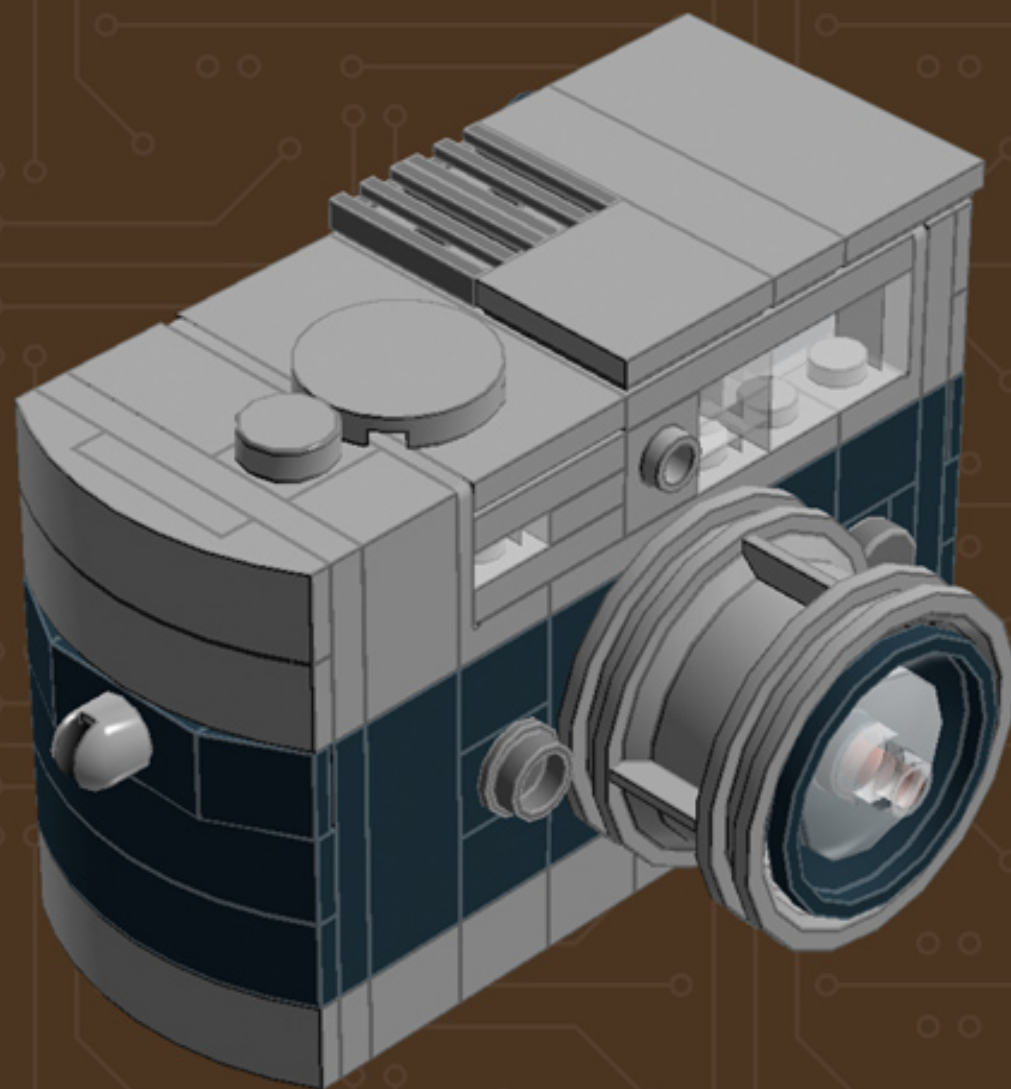


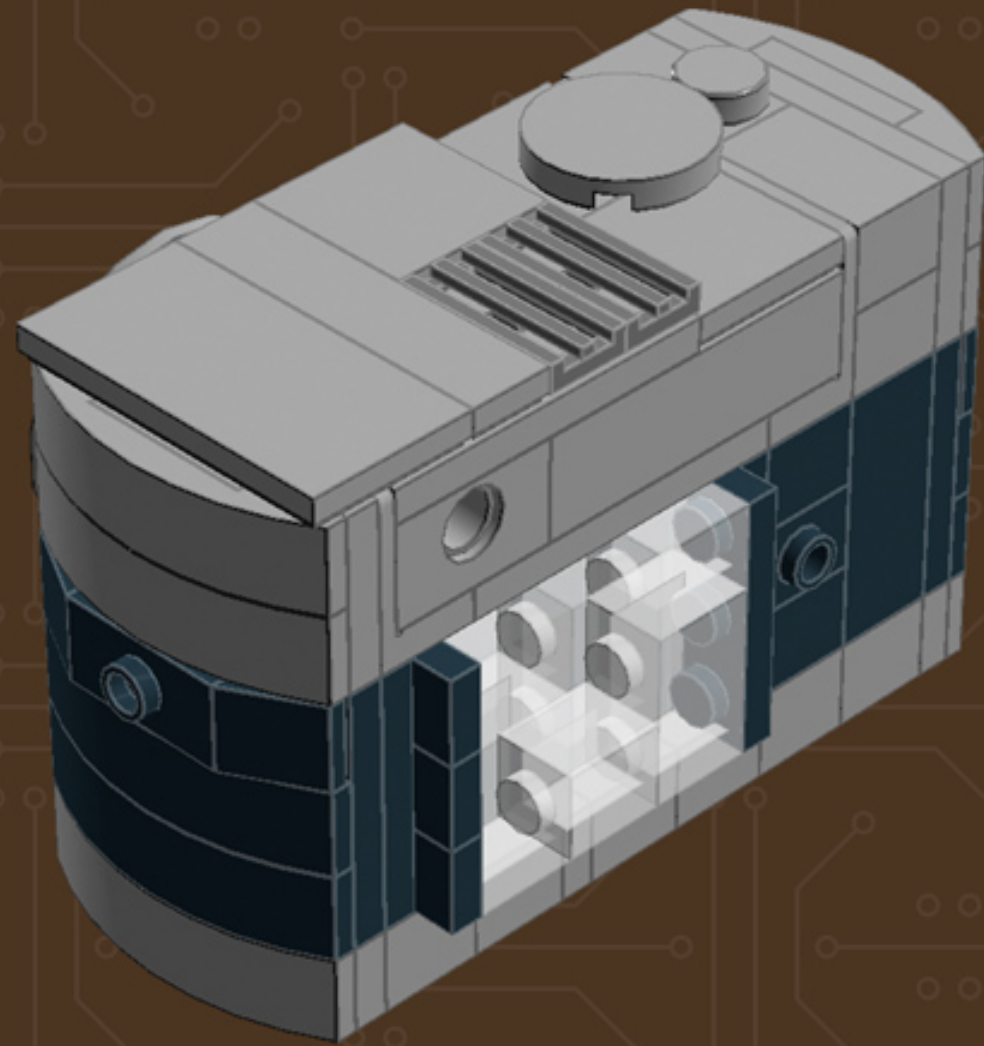


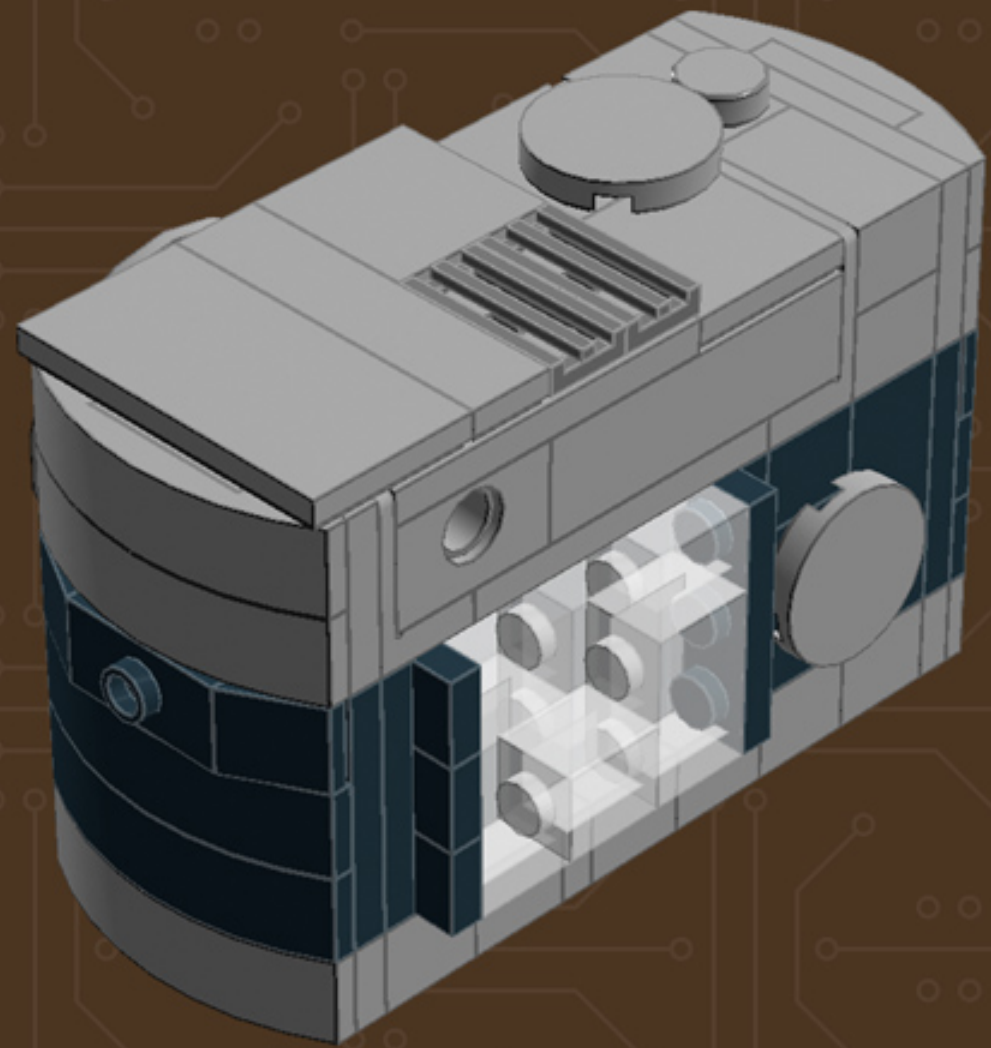


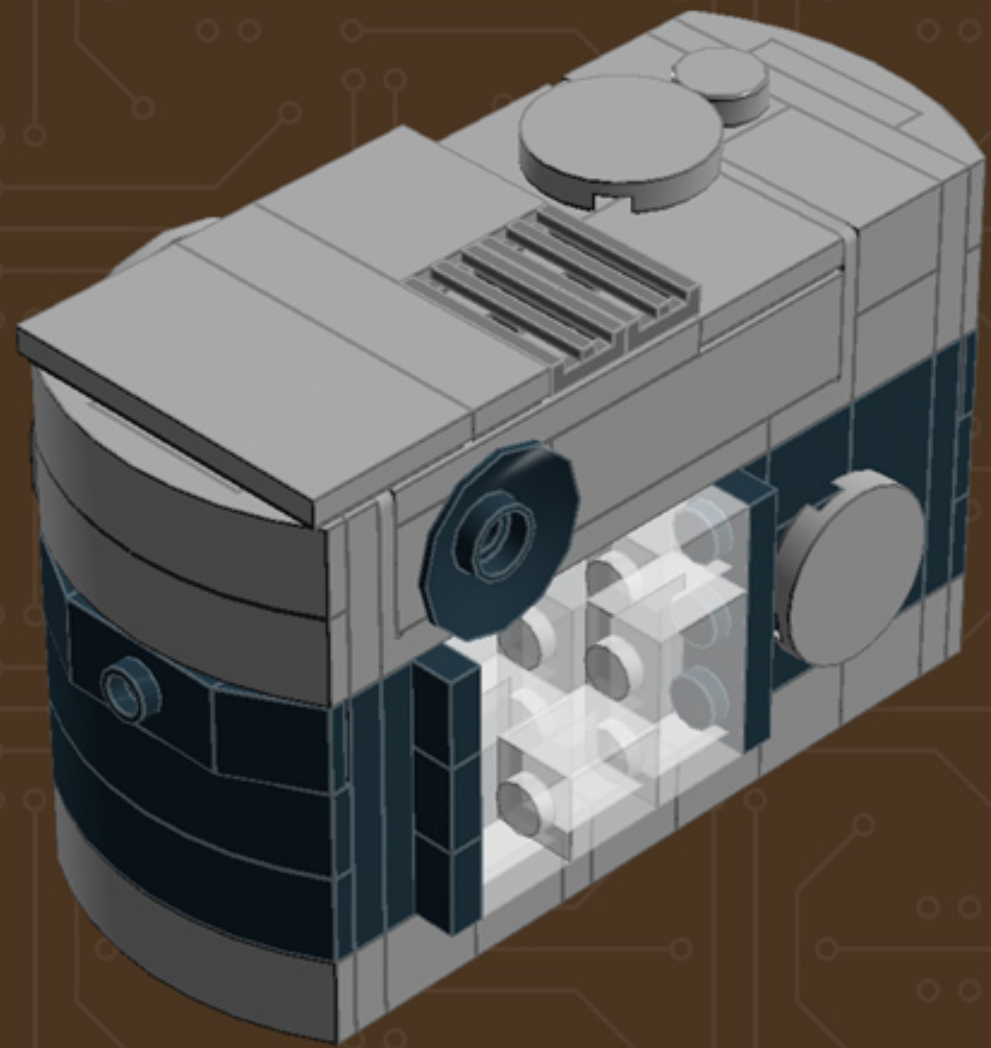


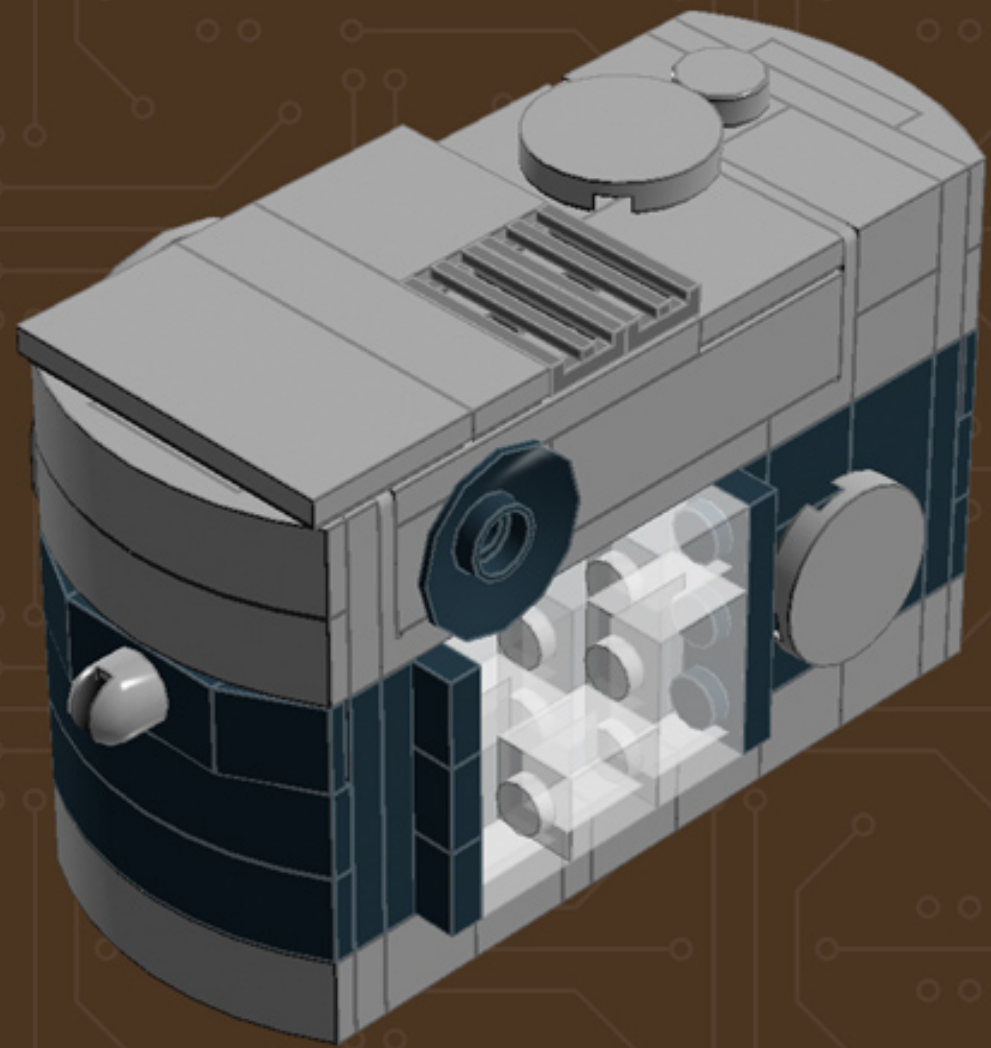


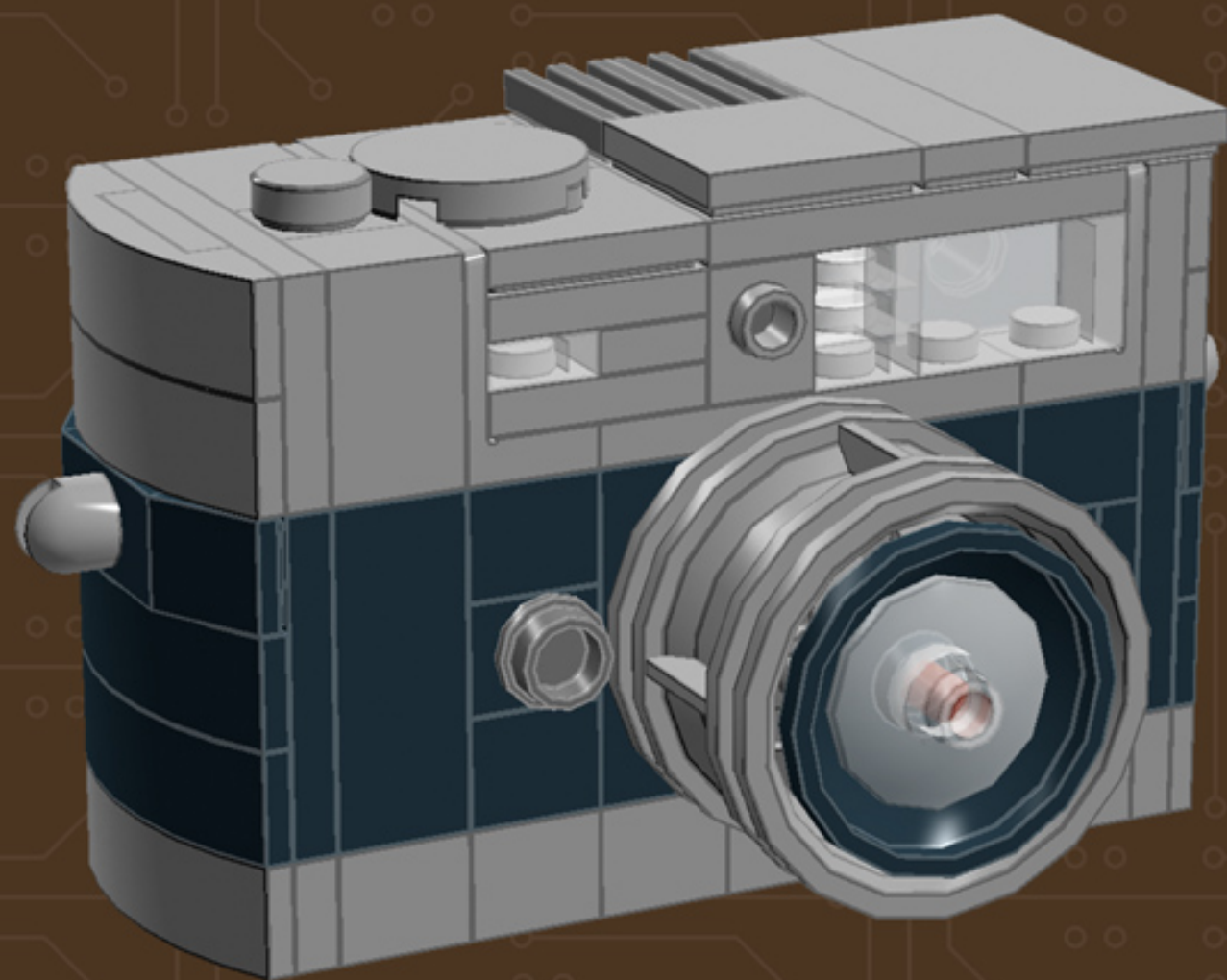














*For more fun builds,  
please pop by [flickr.com/powerpig](http://flickr.com/powerpig),  
visit me at [facebook.com/c.mcveigh.photos](http://facebook.com/c.mcveigh.photos),  
or follow me on twitter [@actionfigured](https://twitter.com/actionfigured)*

*Purchase custom building kits at [powerpig.storenvy.com](http://powerpig.storenvy.com)*

*© 2013 CHRIS MCVEIGH*