



Rotary Telephone (Bright Red)

*A LEGO® project
by Chris McVeigh
chrismcveigh.com*

Image	Element ID	Color	Description	Quantity
	379526	Black	Plate, 2x6	2
	403226	Black	Plate, Round, 2x2	4
	4144023	Black	Technic, Pin Connector Plate with One Hole	1
	4514553	Blue	Technic, Pin Long w/ Friction	1
	4210763	Dark Grey	Technic, Pin Connector Plate 1x2x1 2/3	2
	300521	Red	Brick, 1x1	2
	300421	Red	Brick, 1x2	6
	301021	Red	Brick, 1x4	1
	300921	Red	Brick, 1x6	7
	300221	Red	Brick, 2x3	5
	4558886	Red	Brick, Modified, 1x1 W. 1 Stud	4
	6030266	Red	Brick, Modified, 1x1 W. 2 Studs	1
	4514799	Red	Dish, 6x6	1
	4609780	Red	Hose, Flexible Ribbed with 8mm Ends, 19L	1

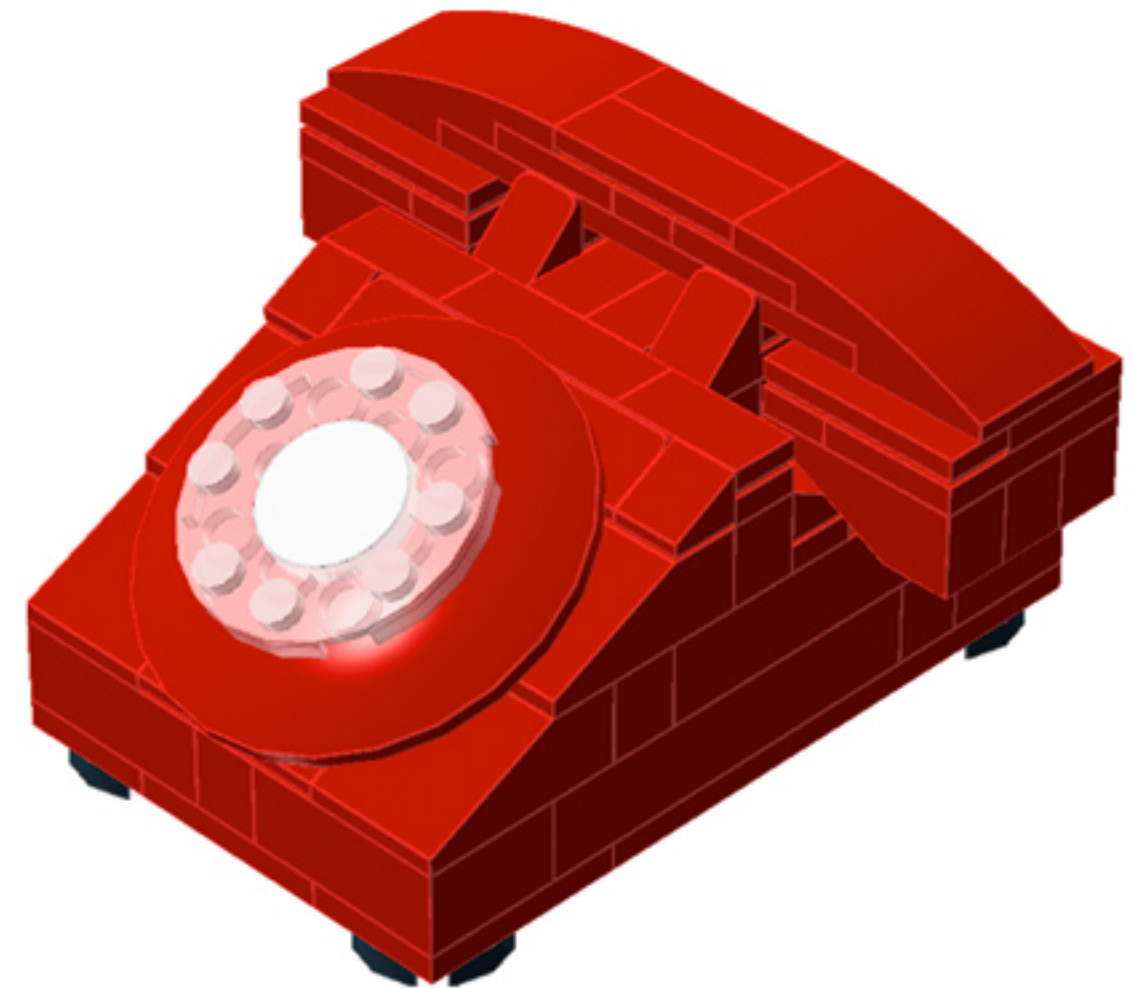





Image	Element ID	Color	Description	Quantity
	302421	Red	Plate, 1x1	3
	302321	Red	Plate, 1x2	8
	362321	Red	Plate, 1x3	7
	302221	Red	Plate, 2x2	4
	302121	Red	Plate, 2x3	16
	302021	Red	Plate, 2x4	1
	303421	Red	Plate, 2x8	2
	379421	Red	Plate, Jumper, 1x2	14
	4603263	Red	Slope, 1x2, W. Cutout	4
	329821	Red	Slope, 25°, 2x3	4
	4504379	Red	Slope, 30°, 1x1x2/3	12
	4651524	Red	Slope, 30°, 1x2x2/3	4
	4613174	Red	Slope, Curved, 2x4	2
	428721	Red	Slope, Inverted, 25°, 1x3	5

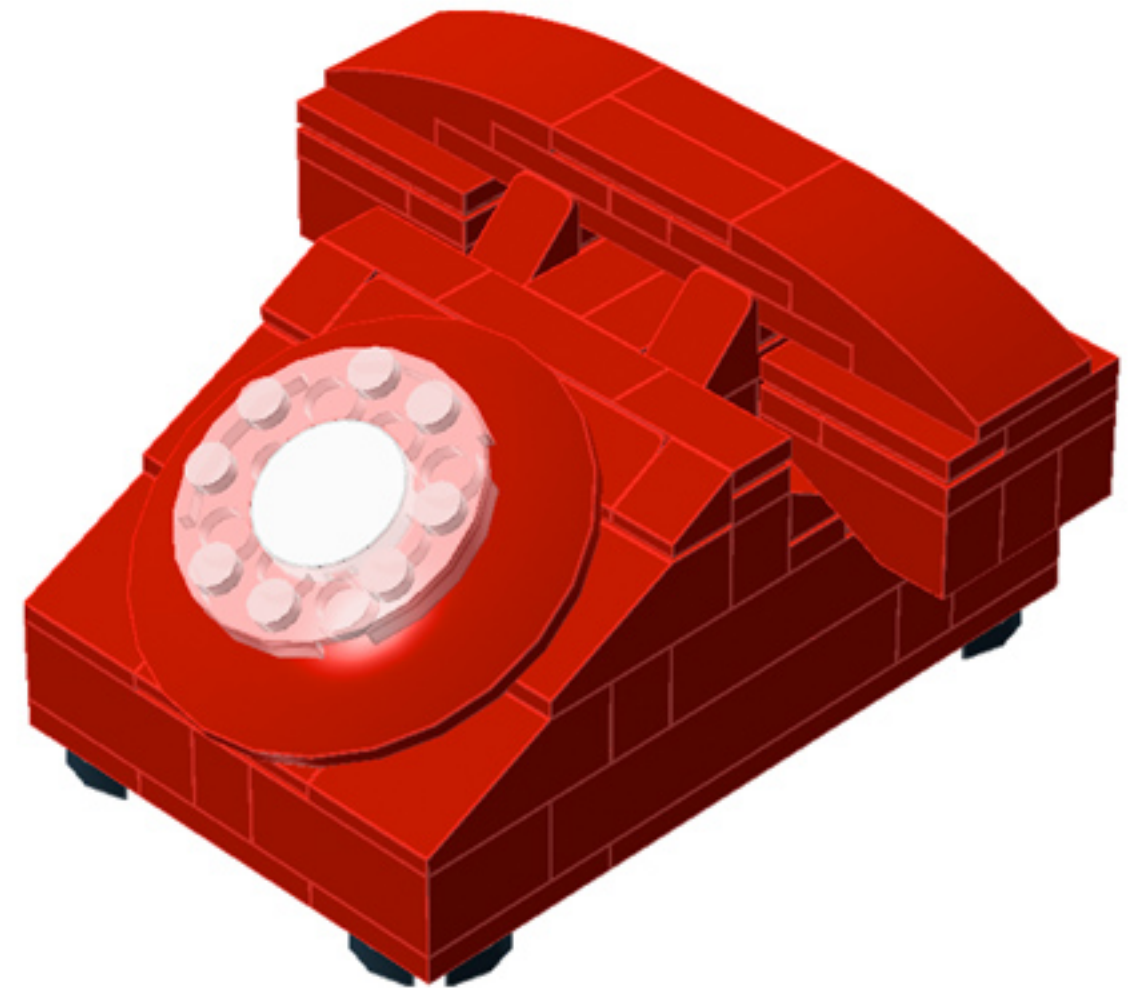
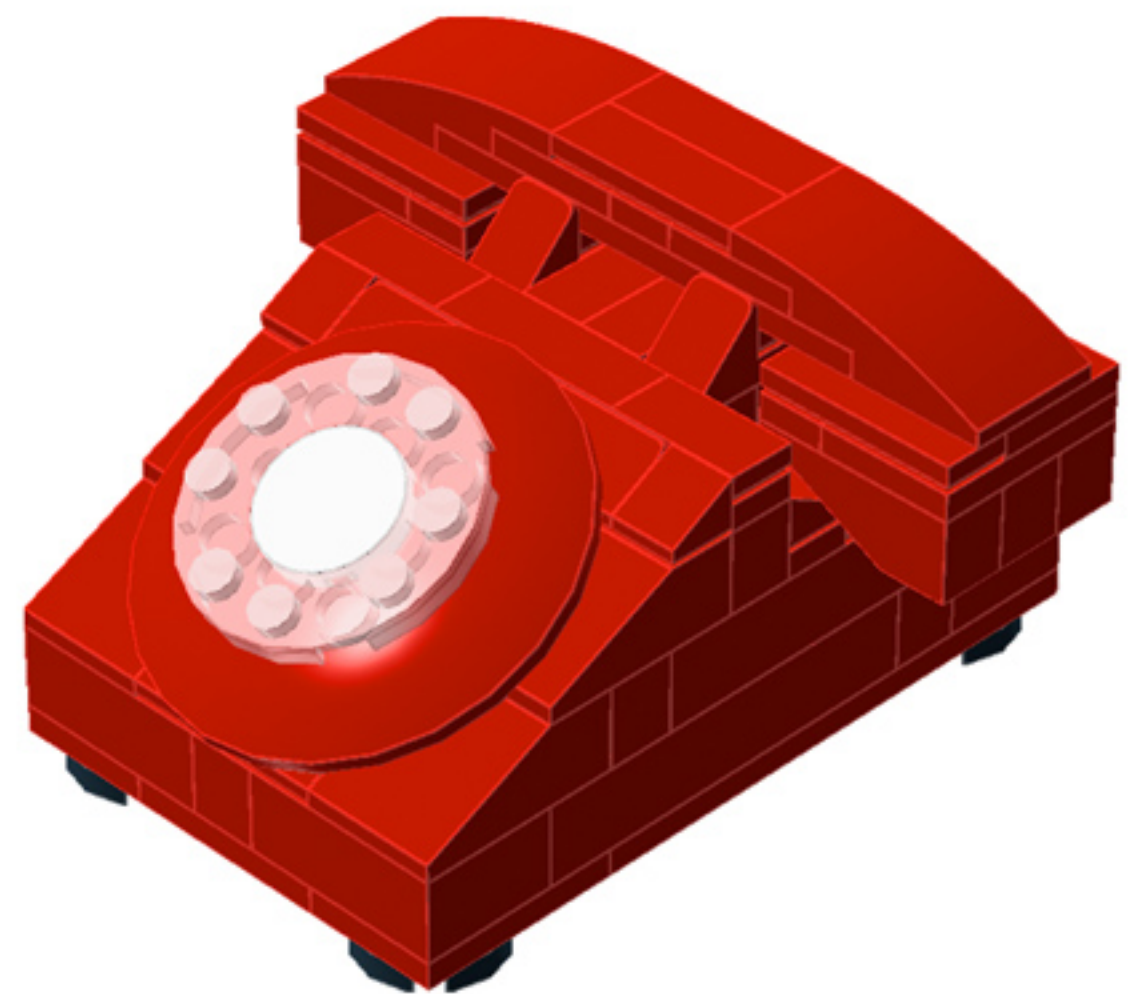
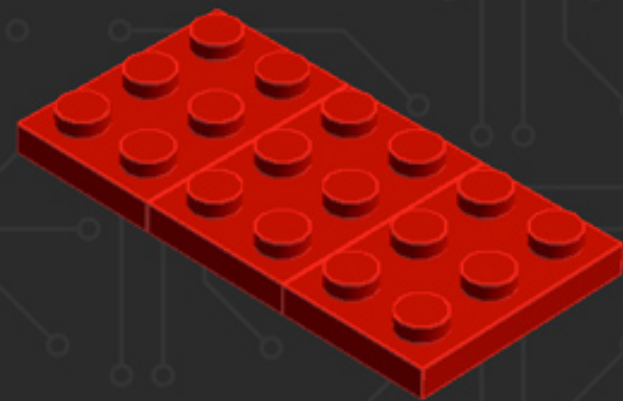
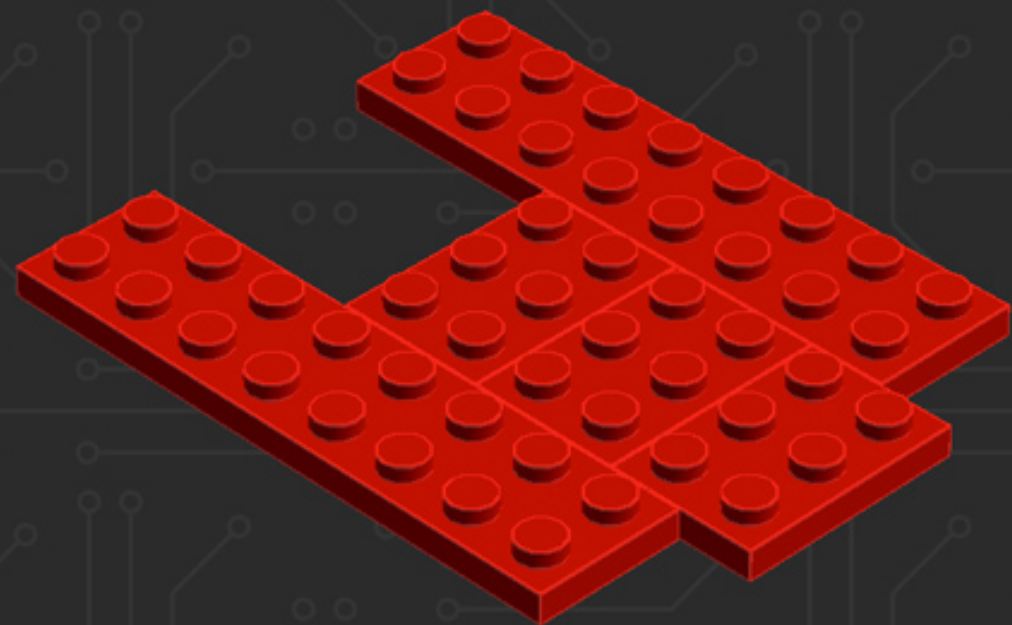
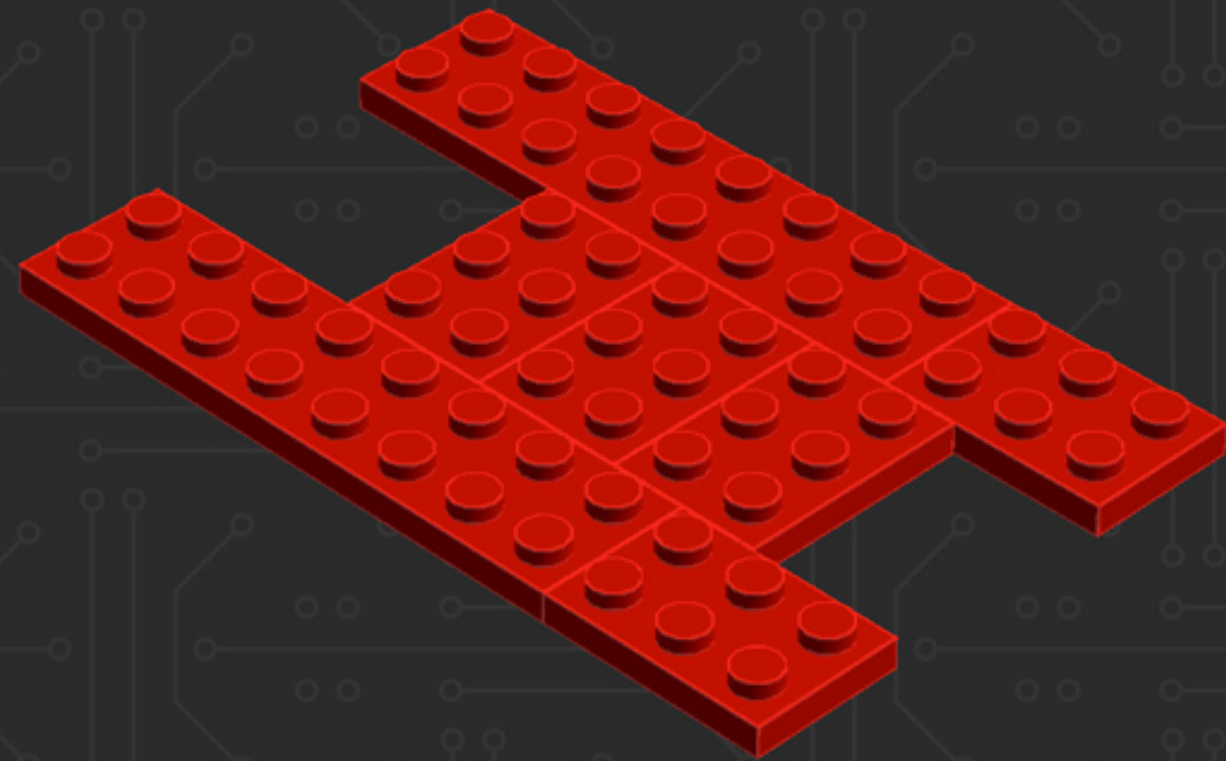


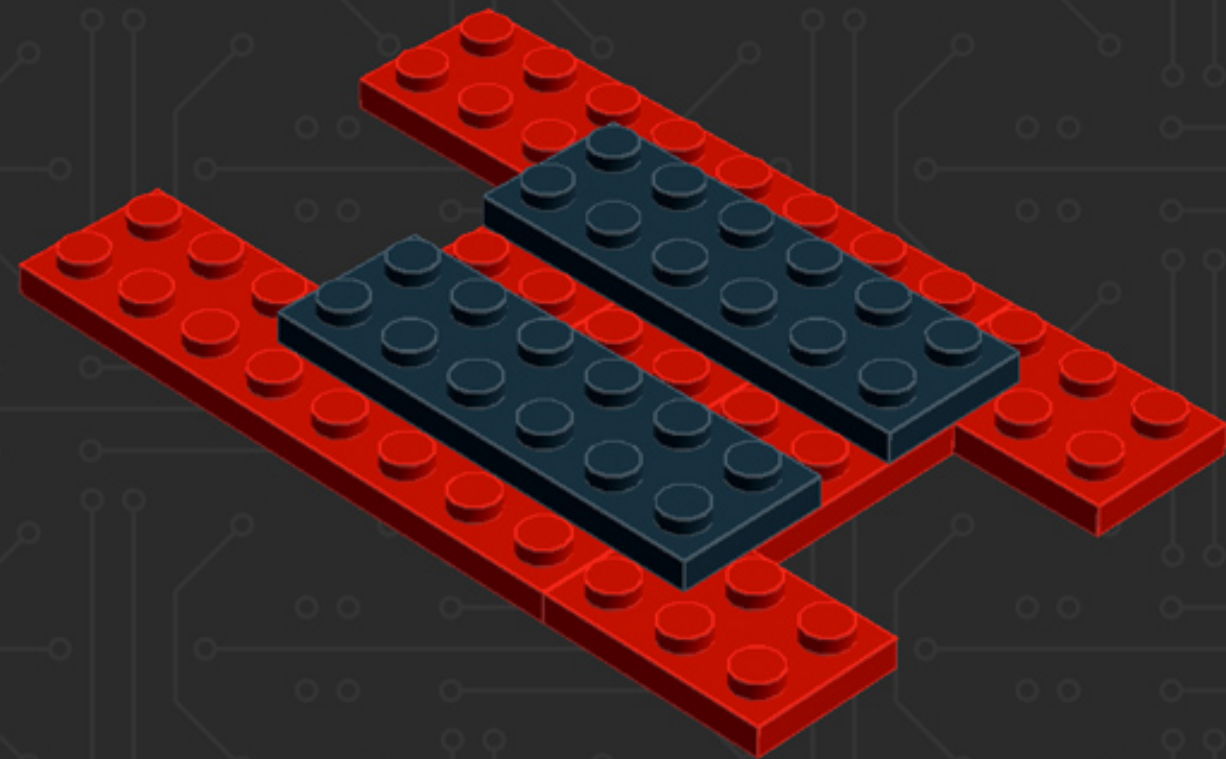
Image	Element ID	Color	Description	Quantity
	306921	Red	Tile, 1x2	6
	4533742	Red	Tile, 1x3	11
	6018931	Trans-Clear	Plate, Round, 4x4 with 2x2 Cutout	1
	415001	White	Tile, Round, 2x2	1
	371024	Yellow	Plate, 1x4	6
	379424	Yellow	Plate, Jumper, 1x2	5

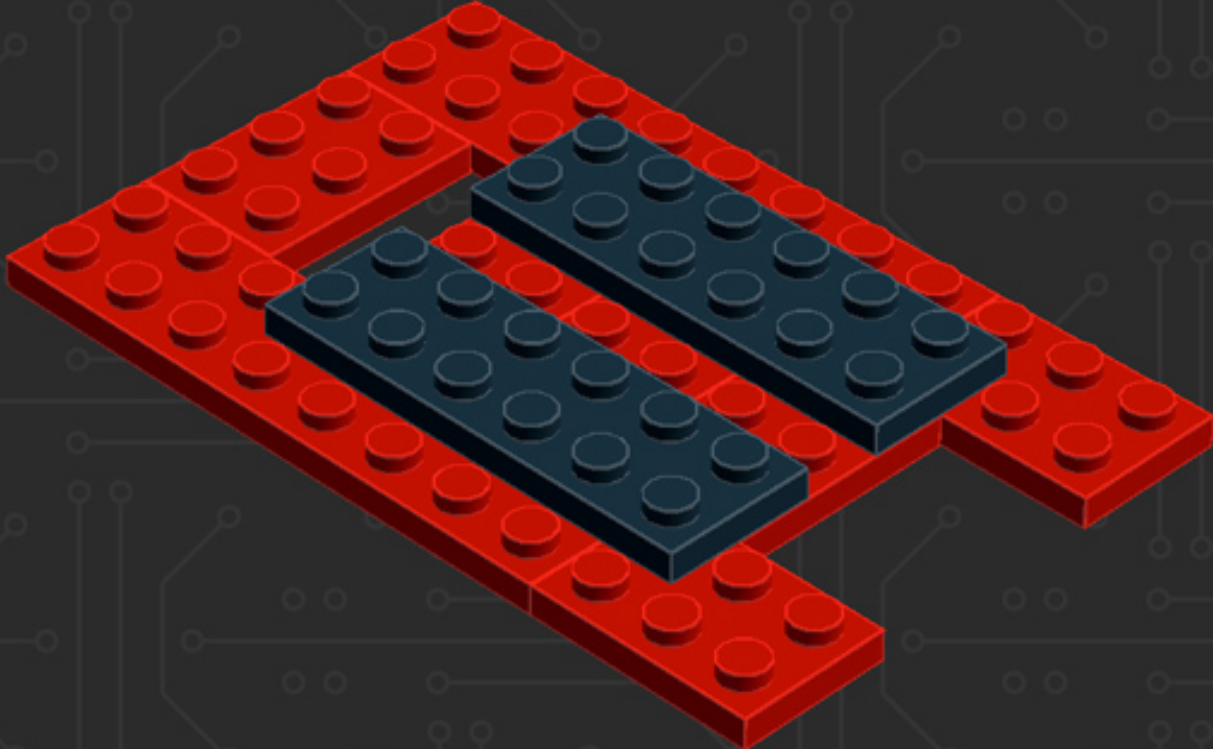


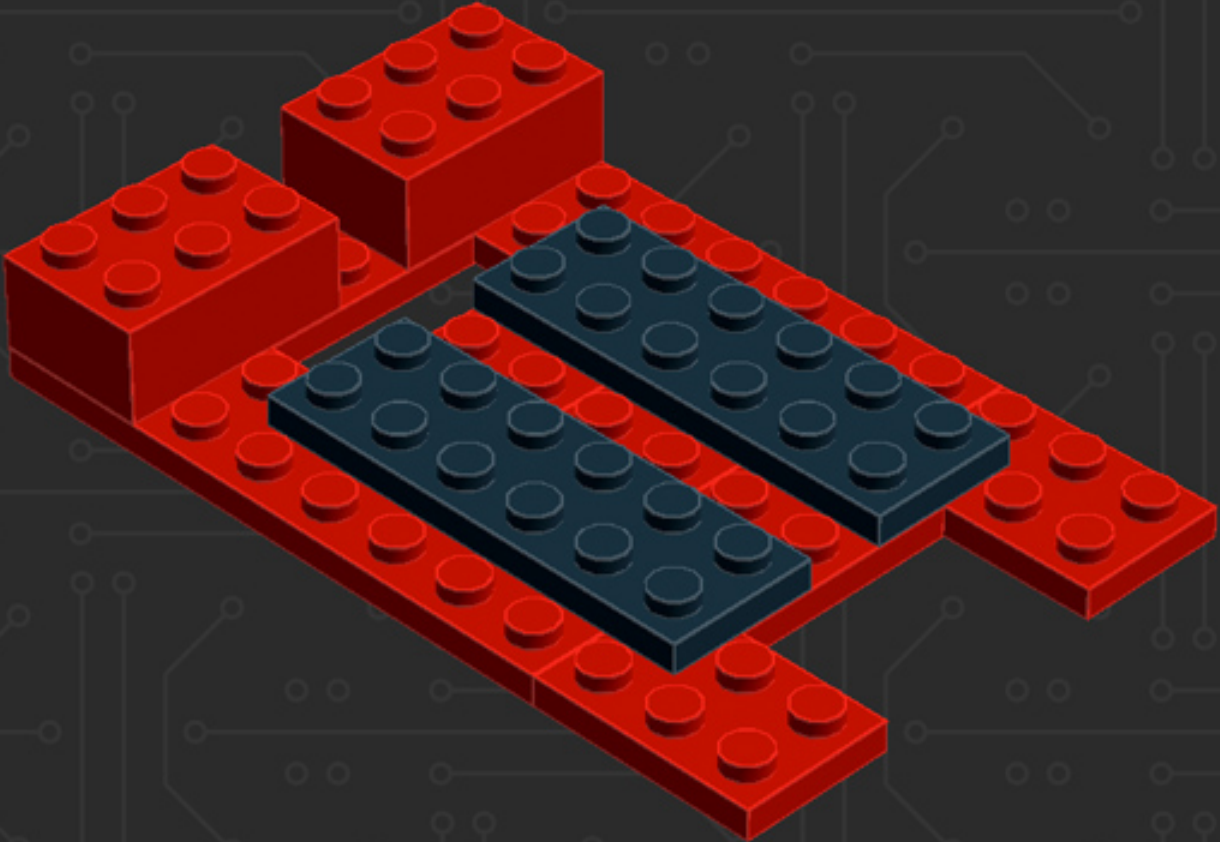


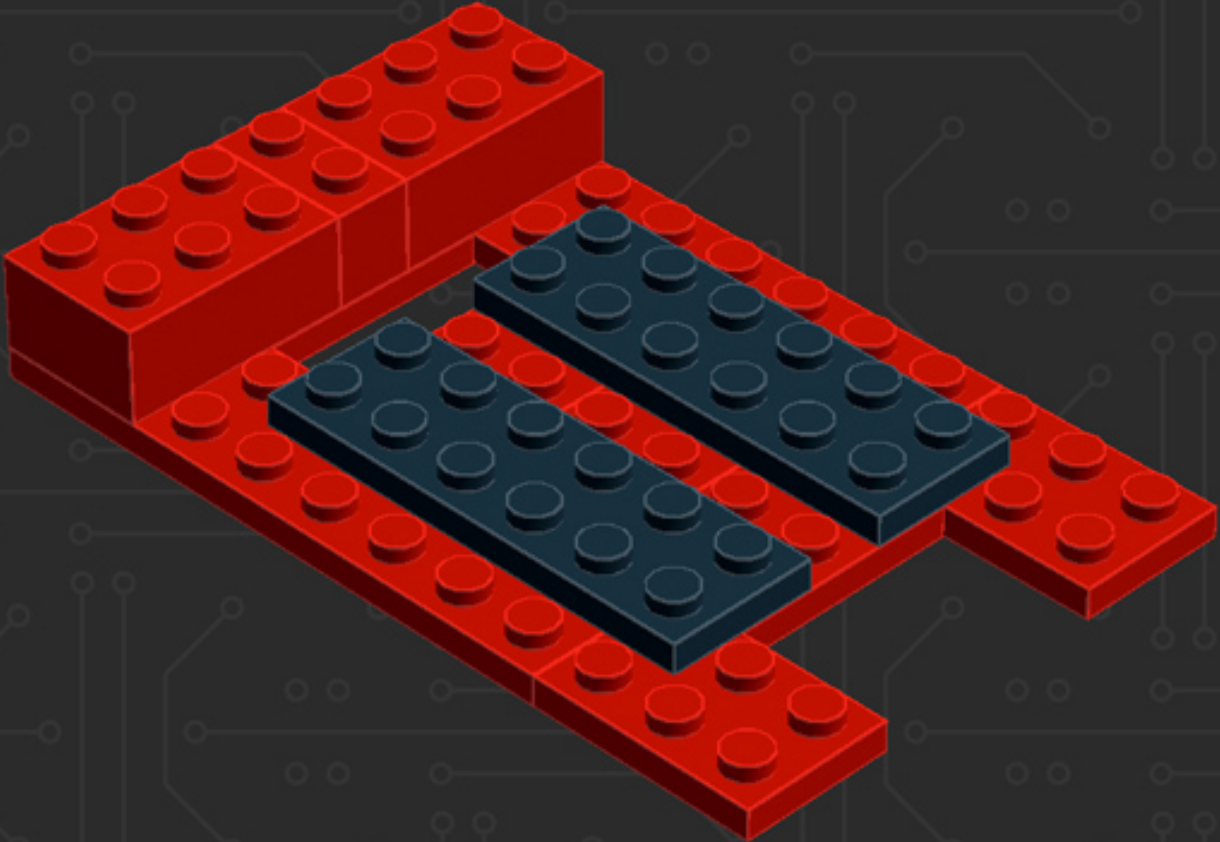


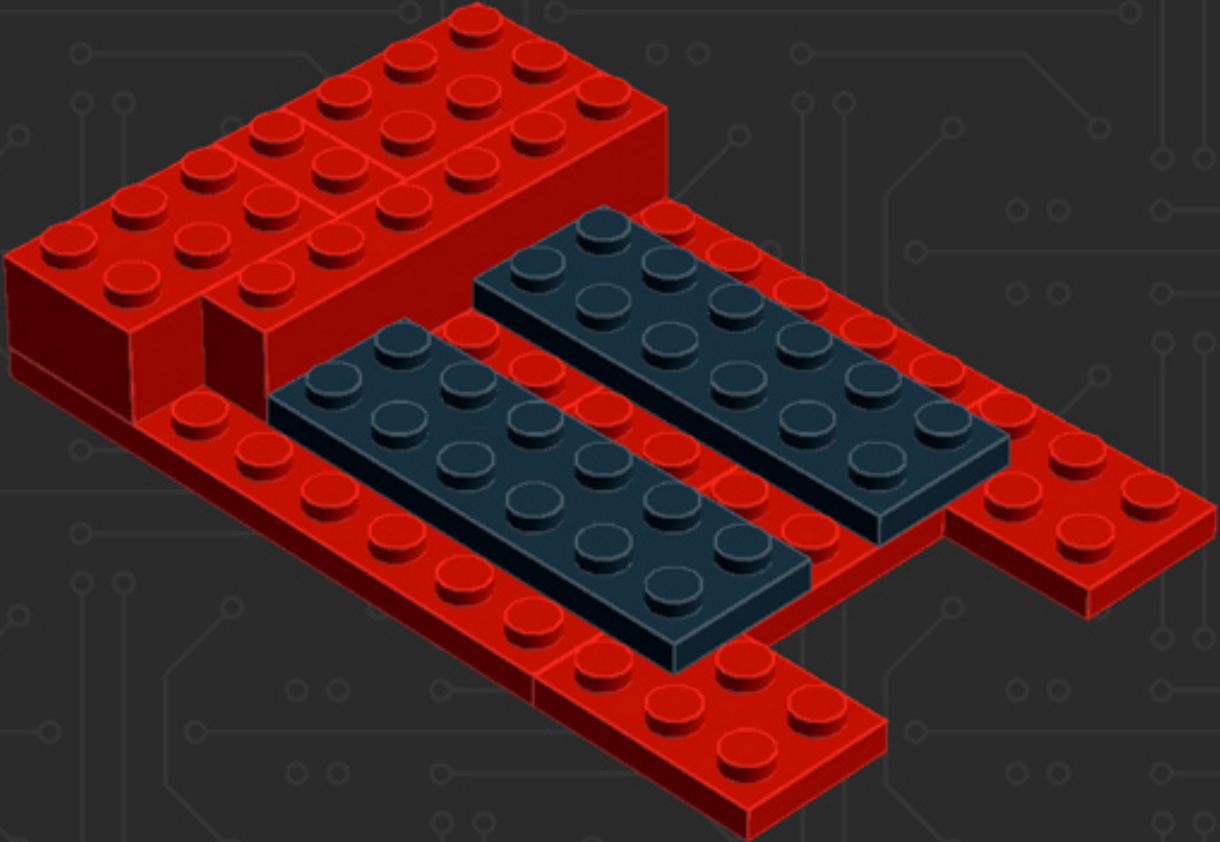


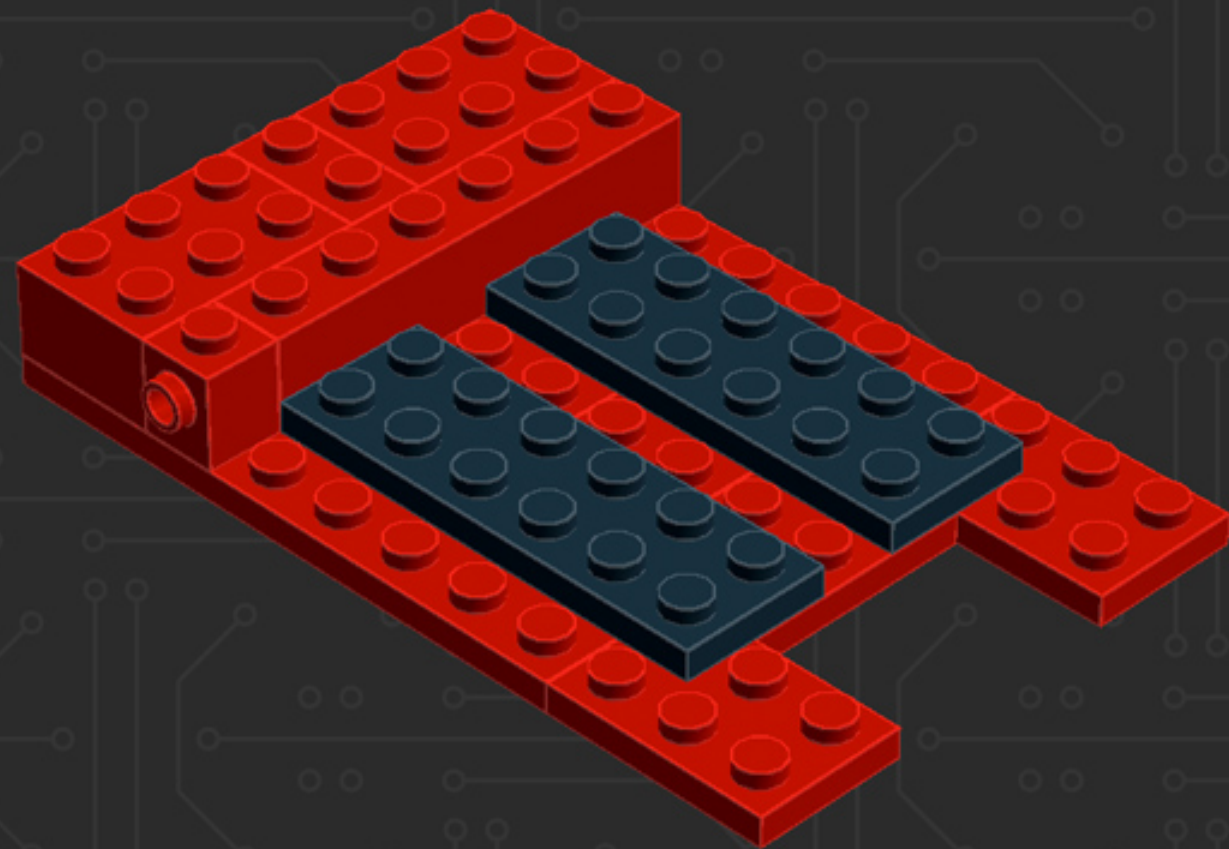


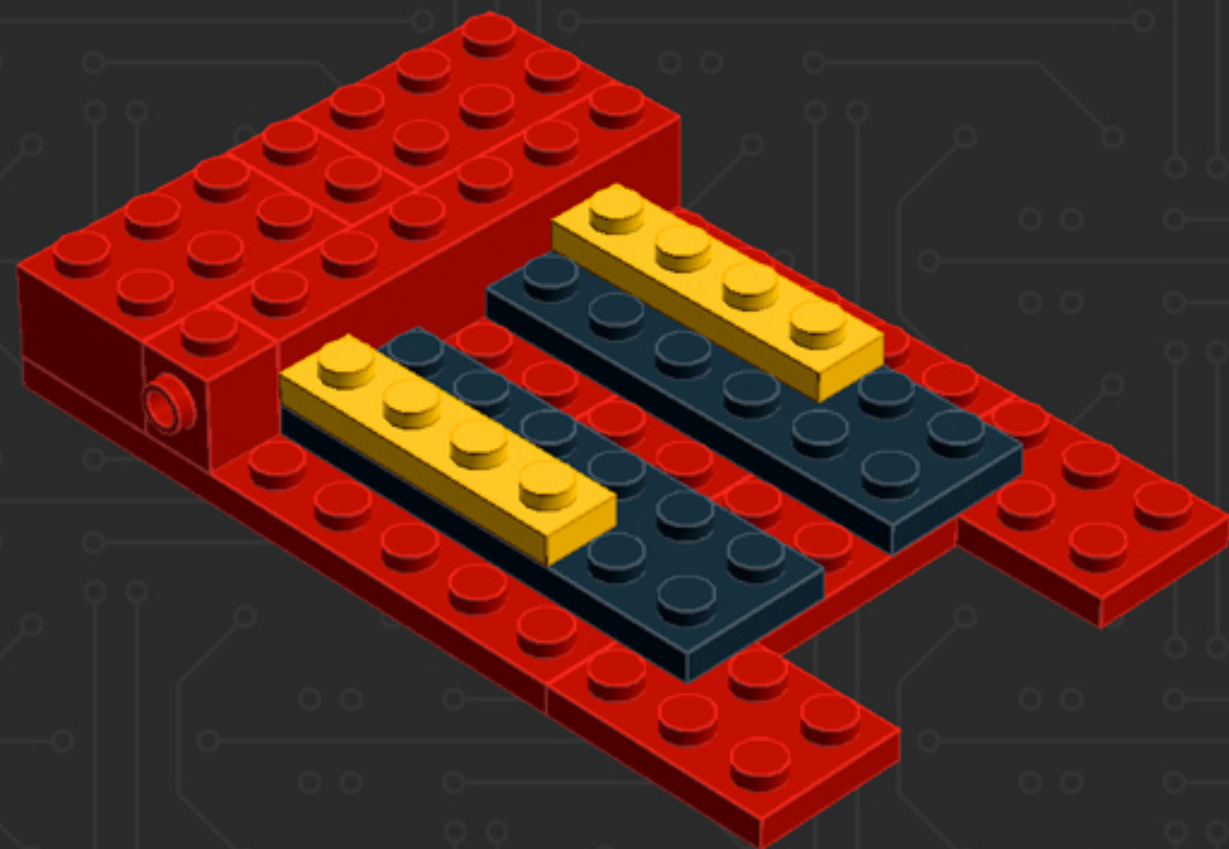


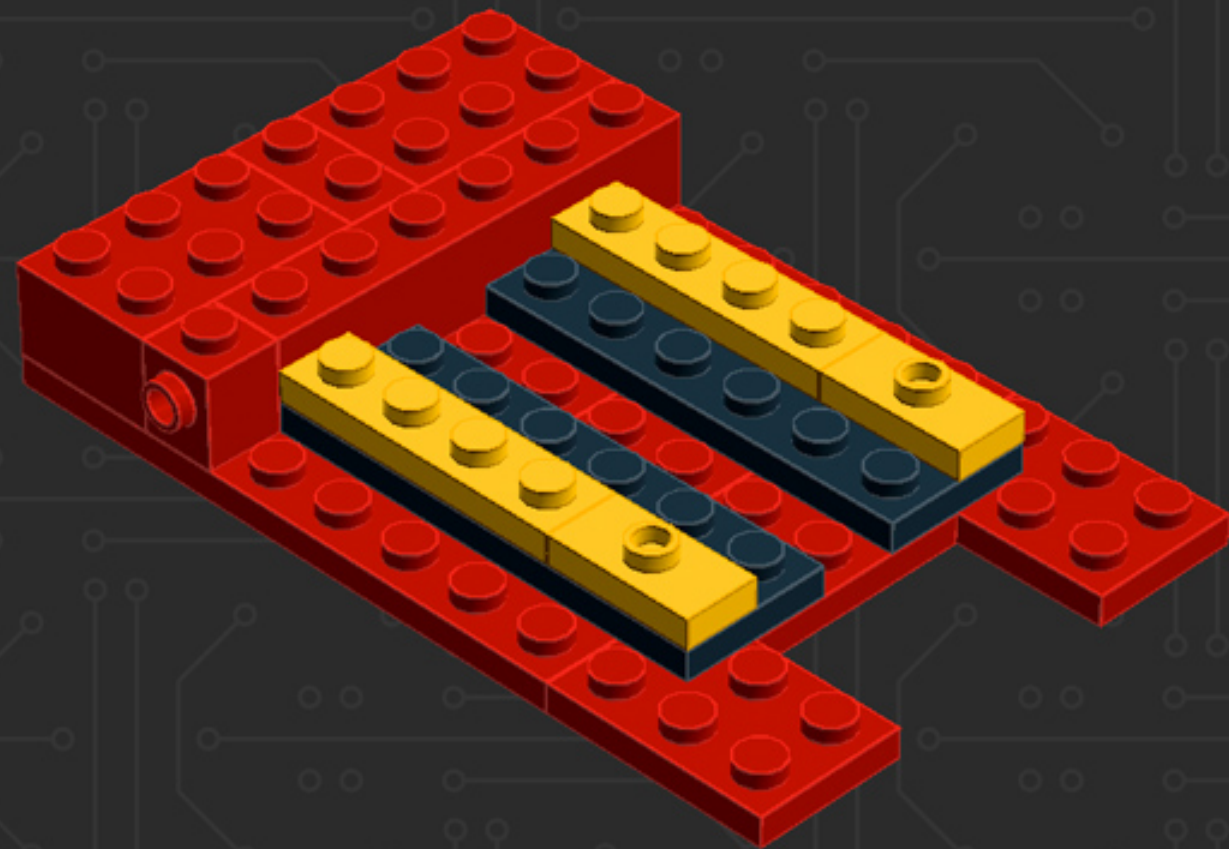


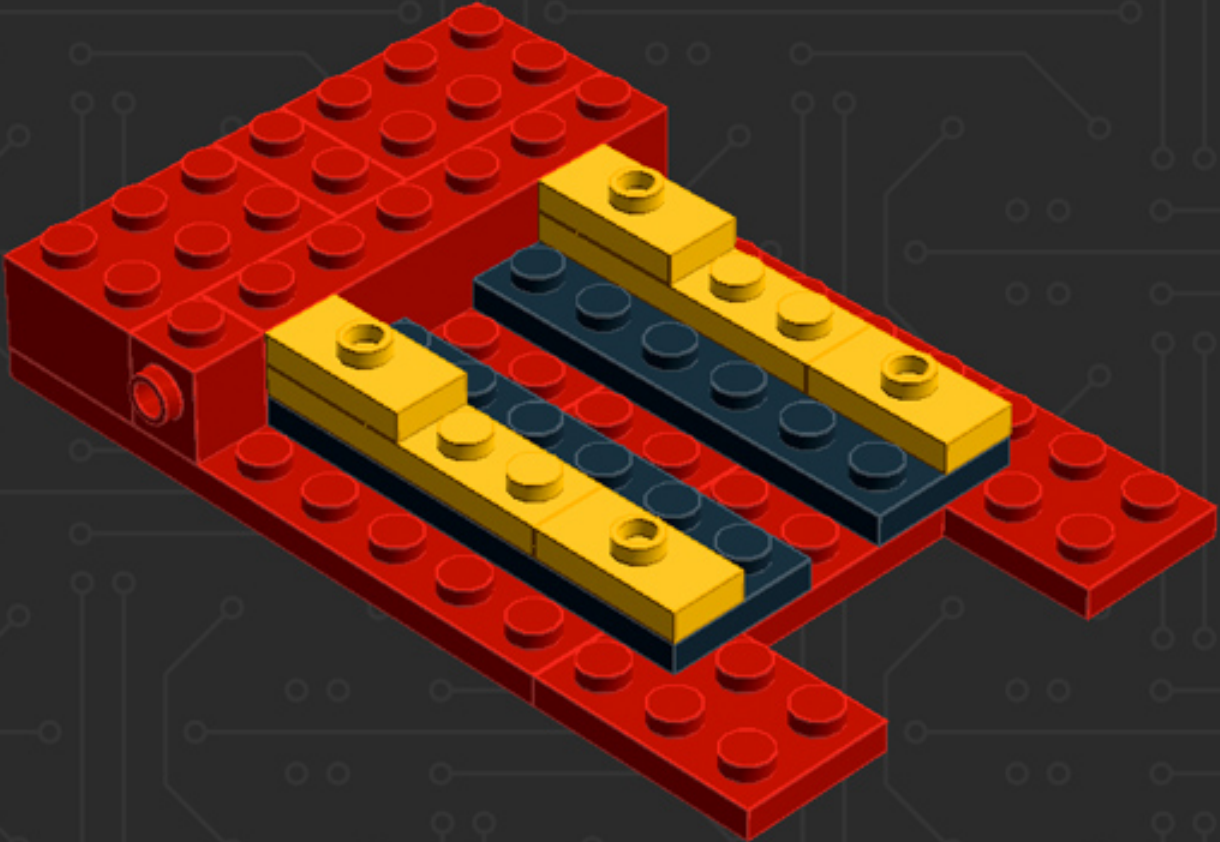


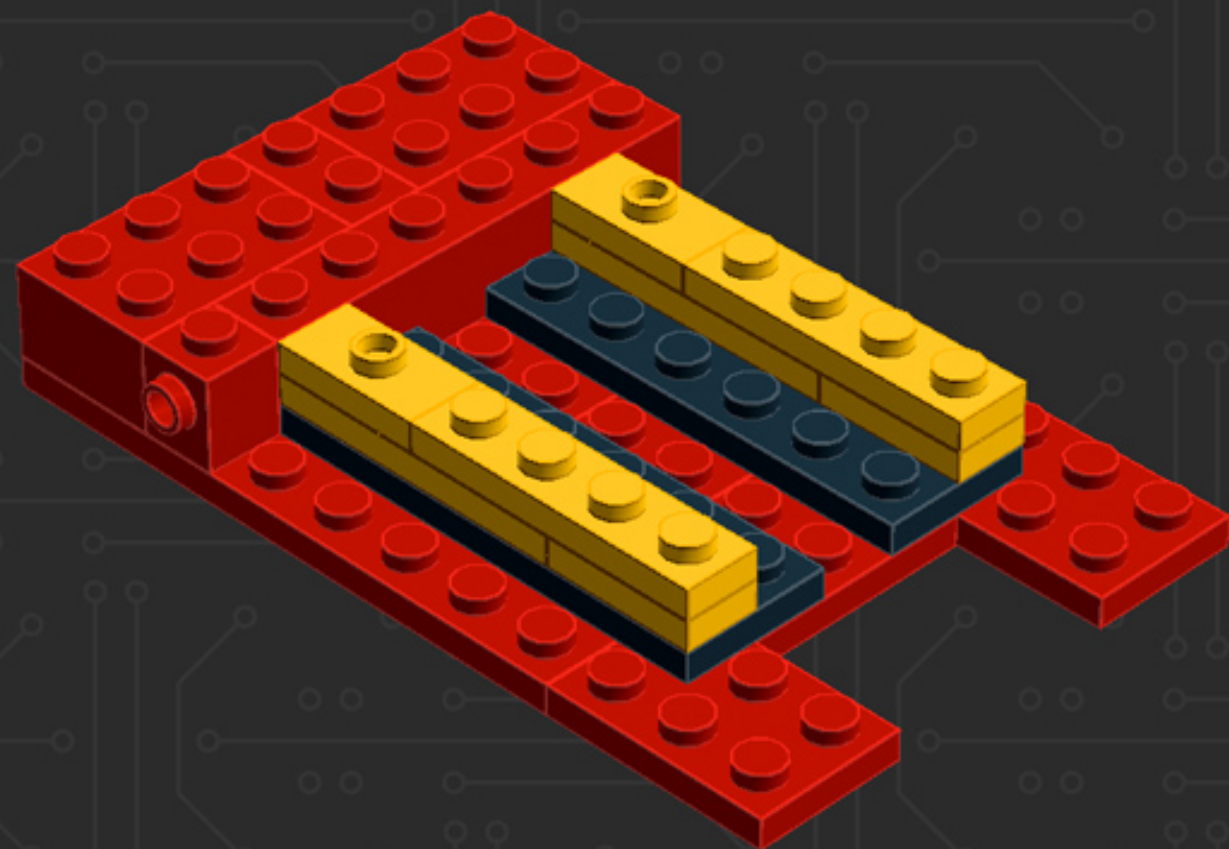


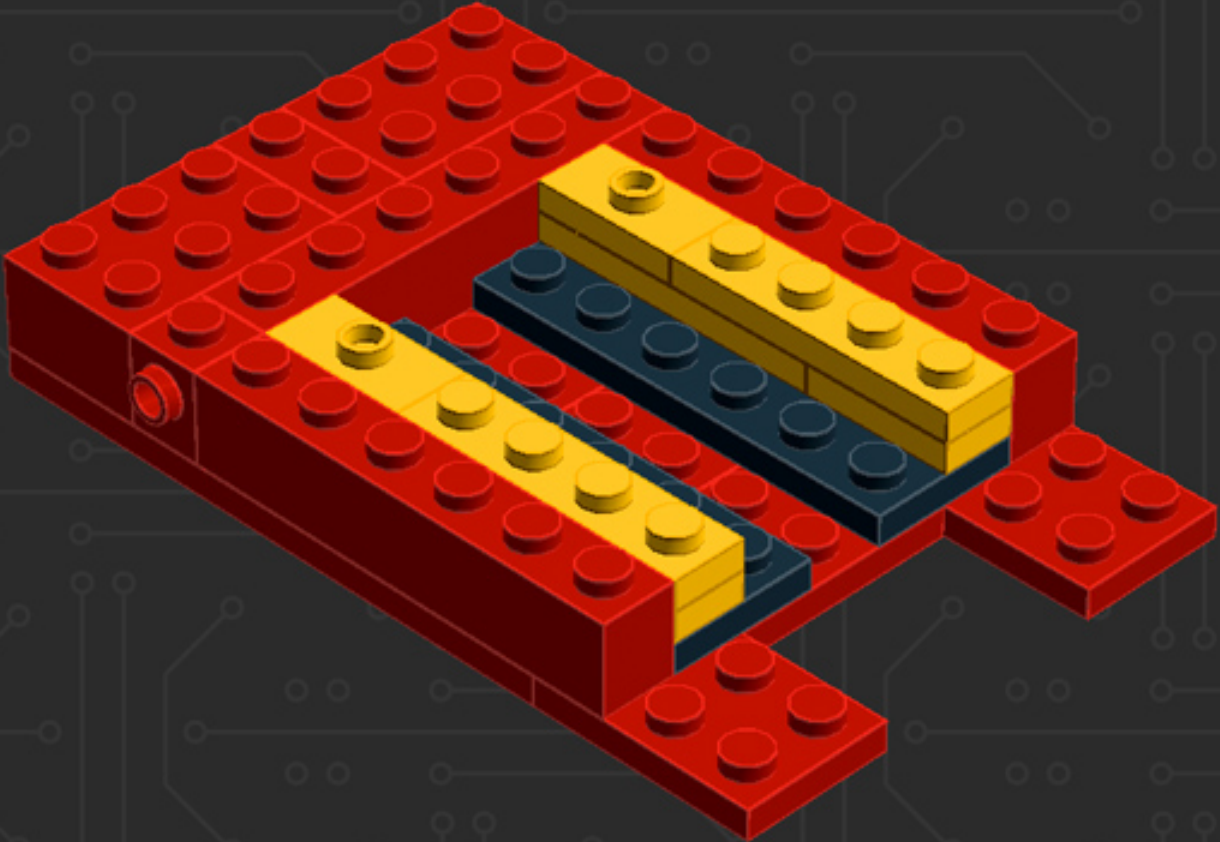


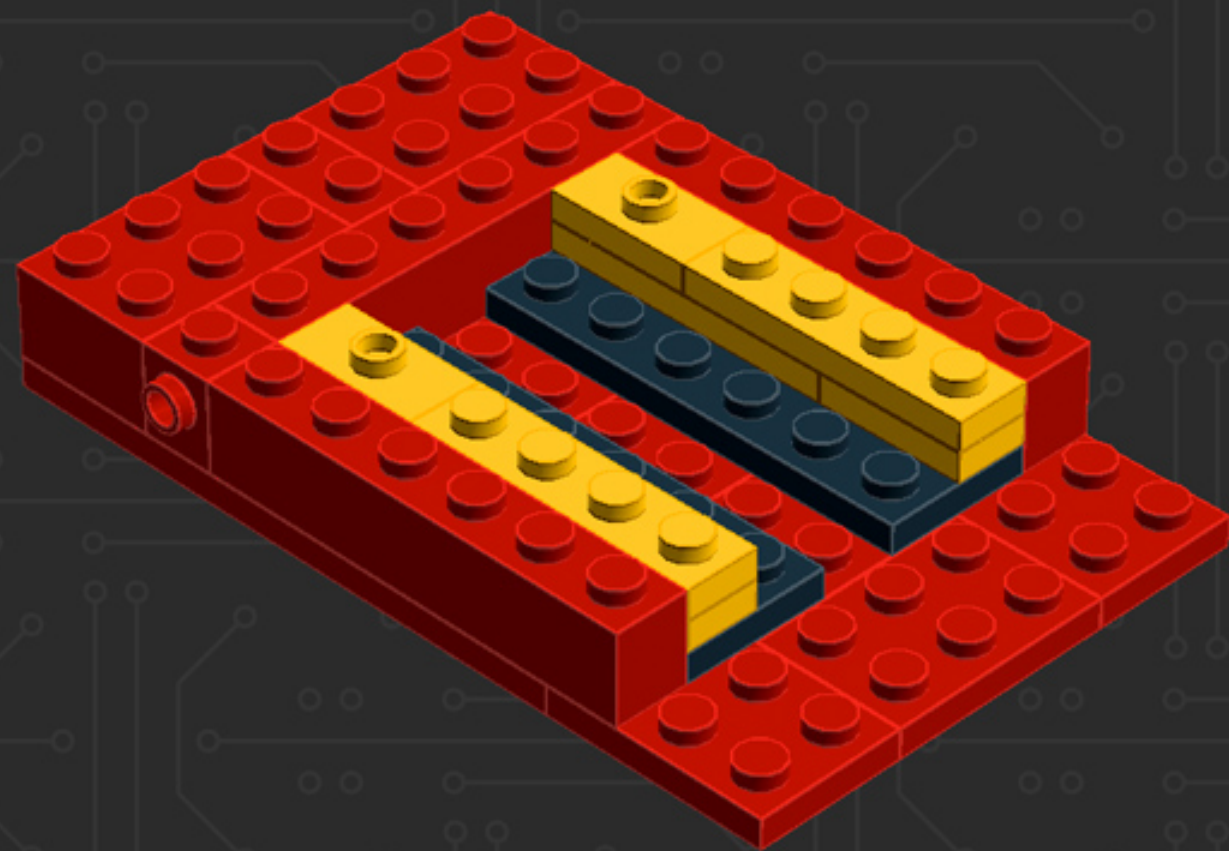


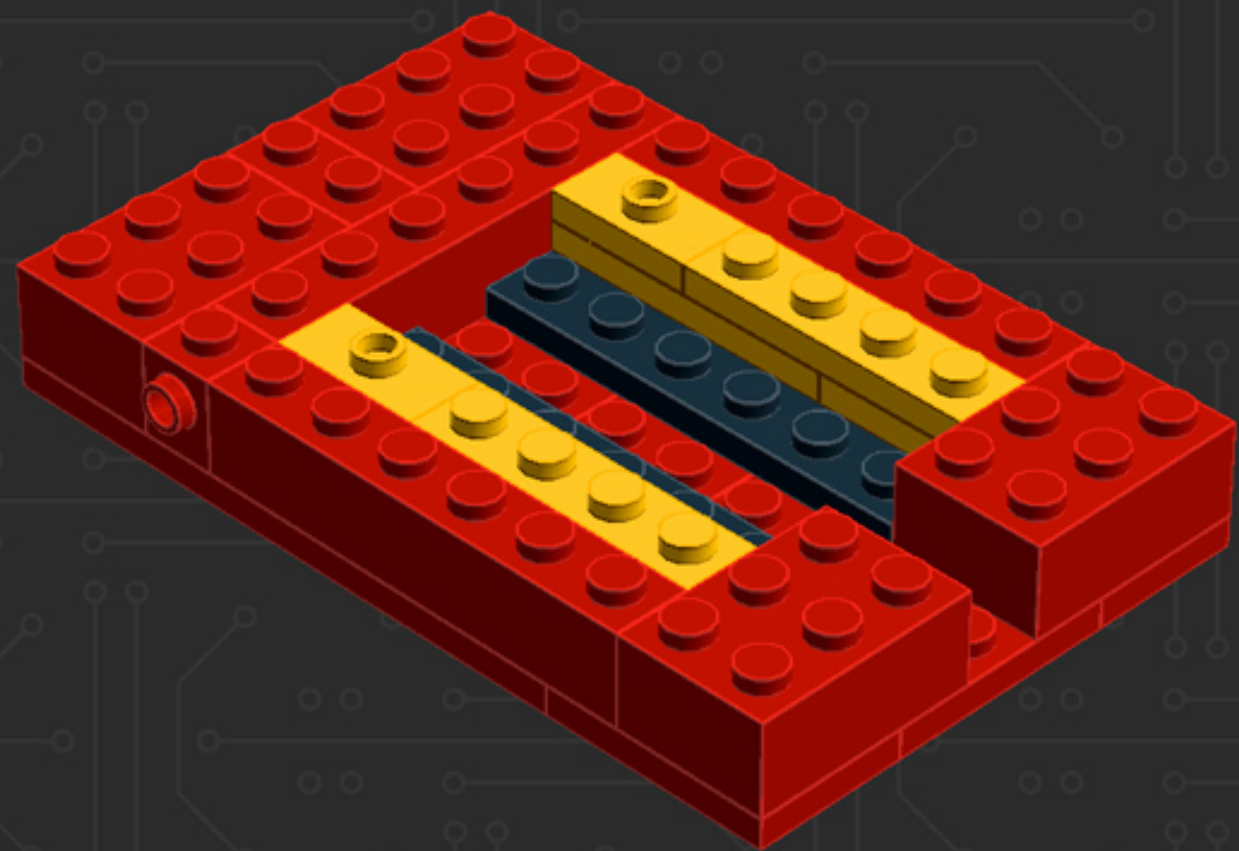


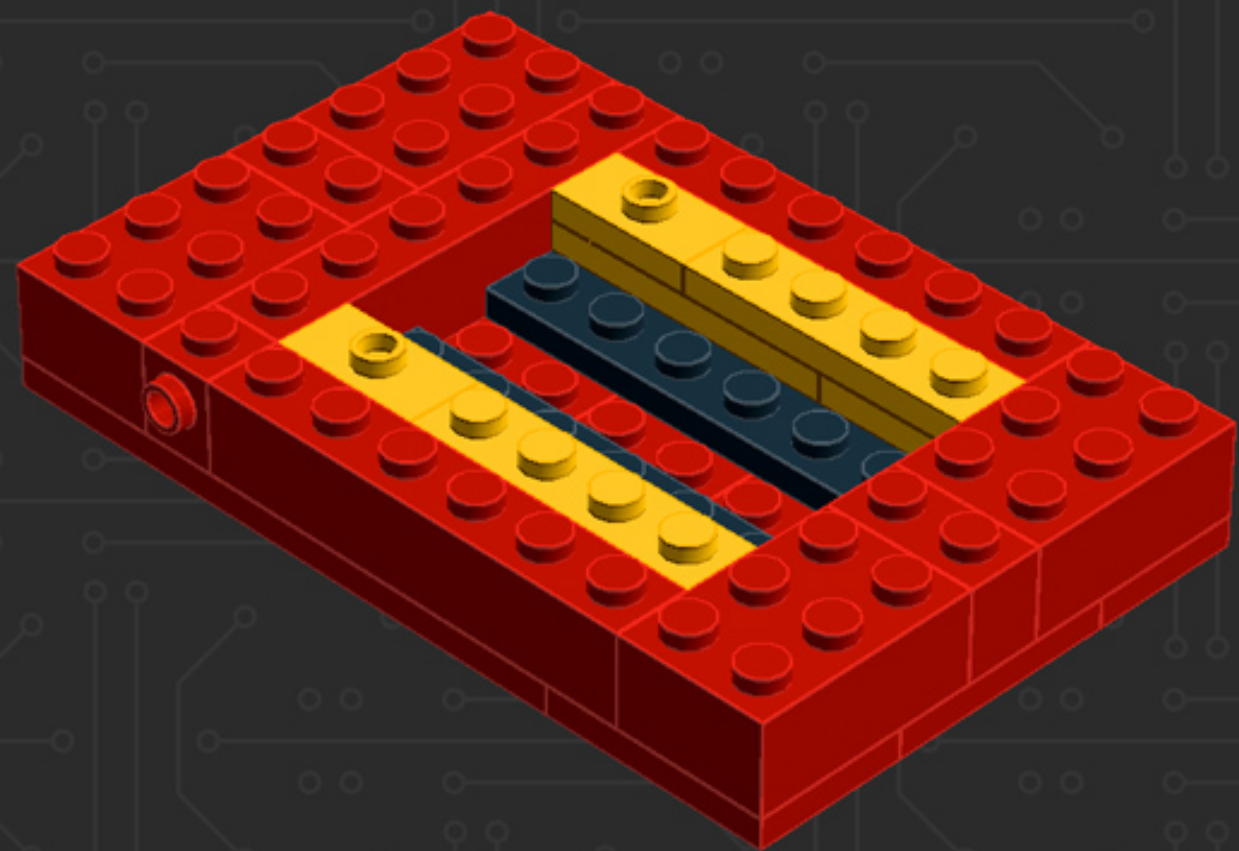


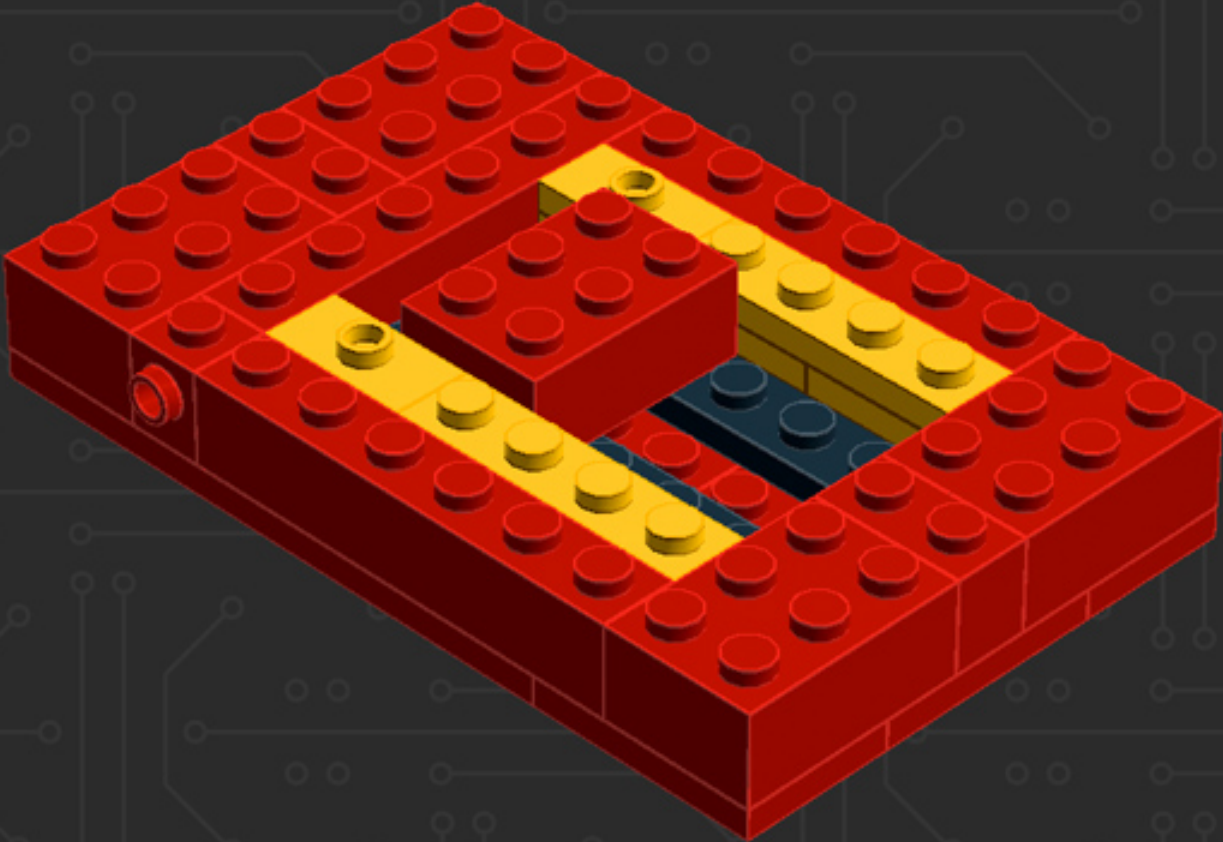


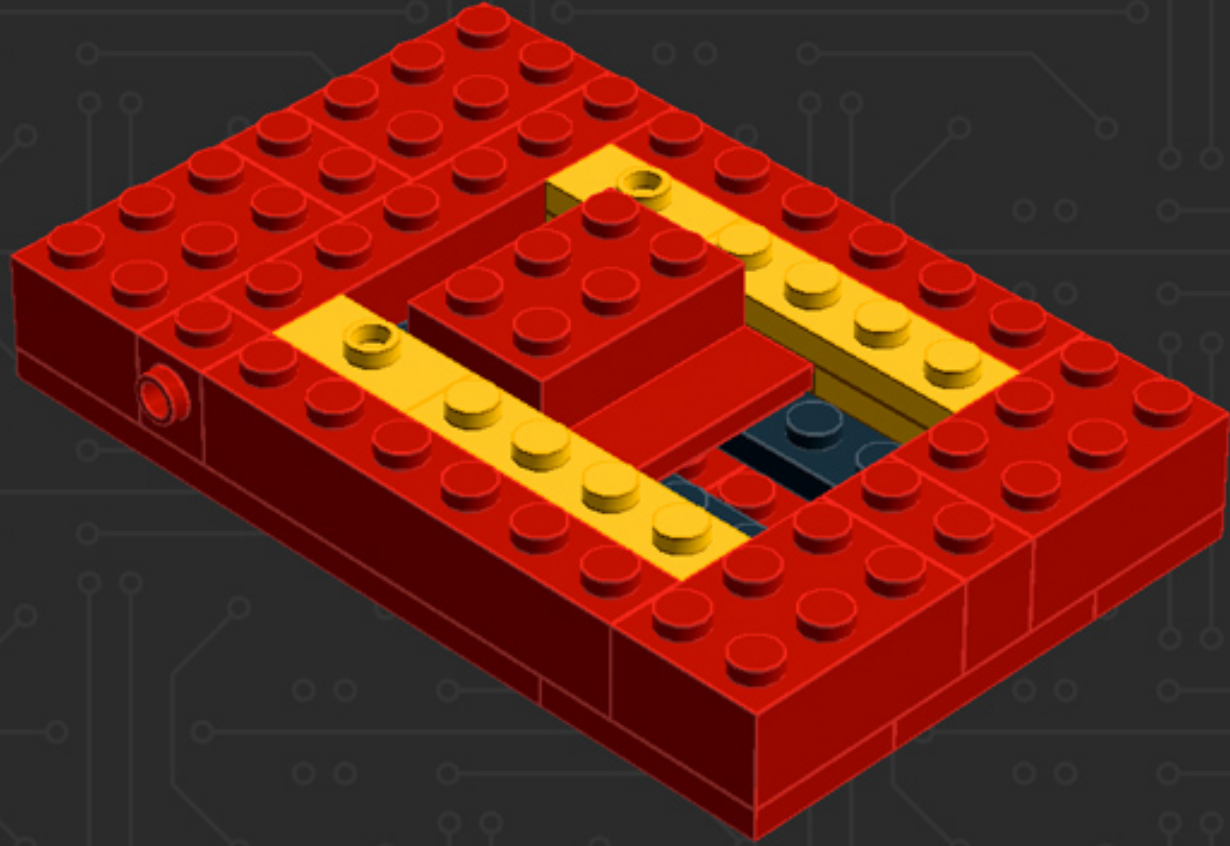


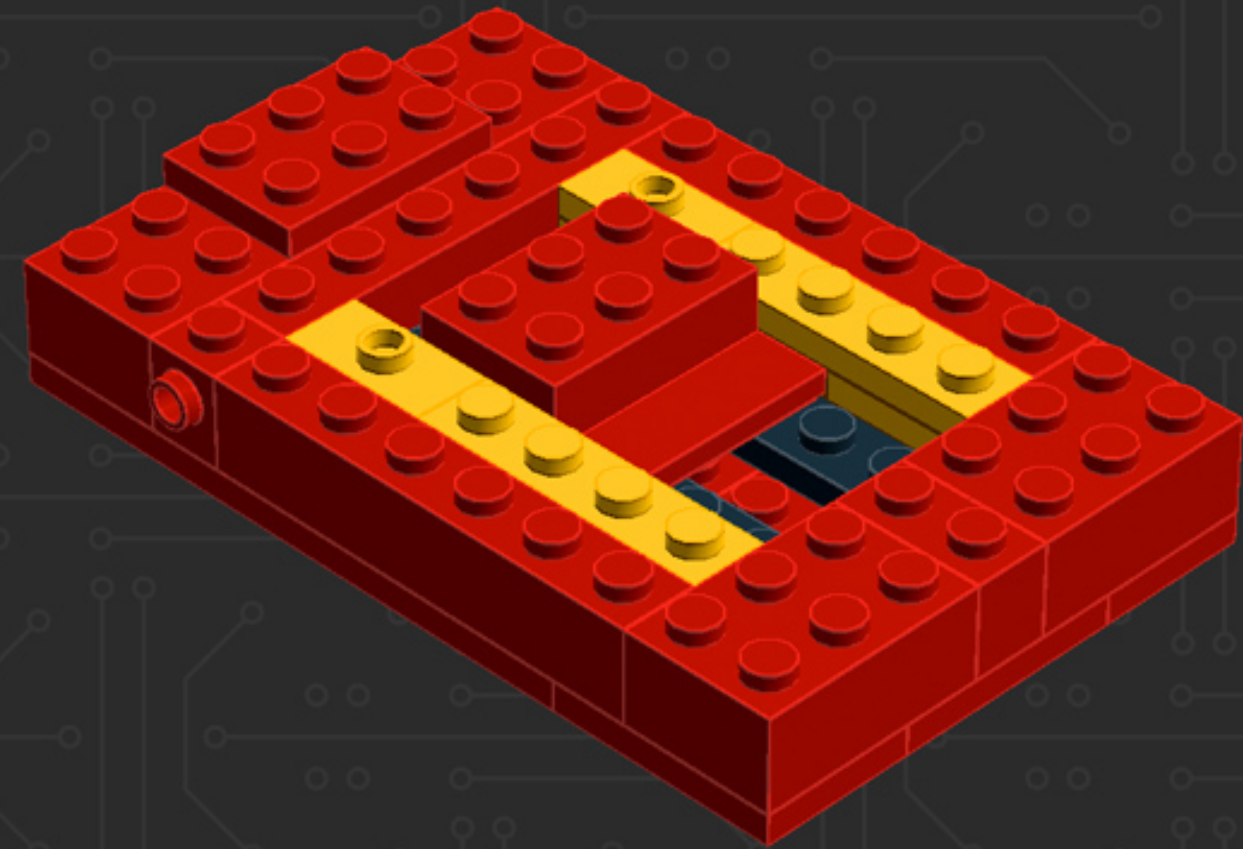


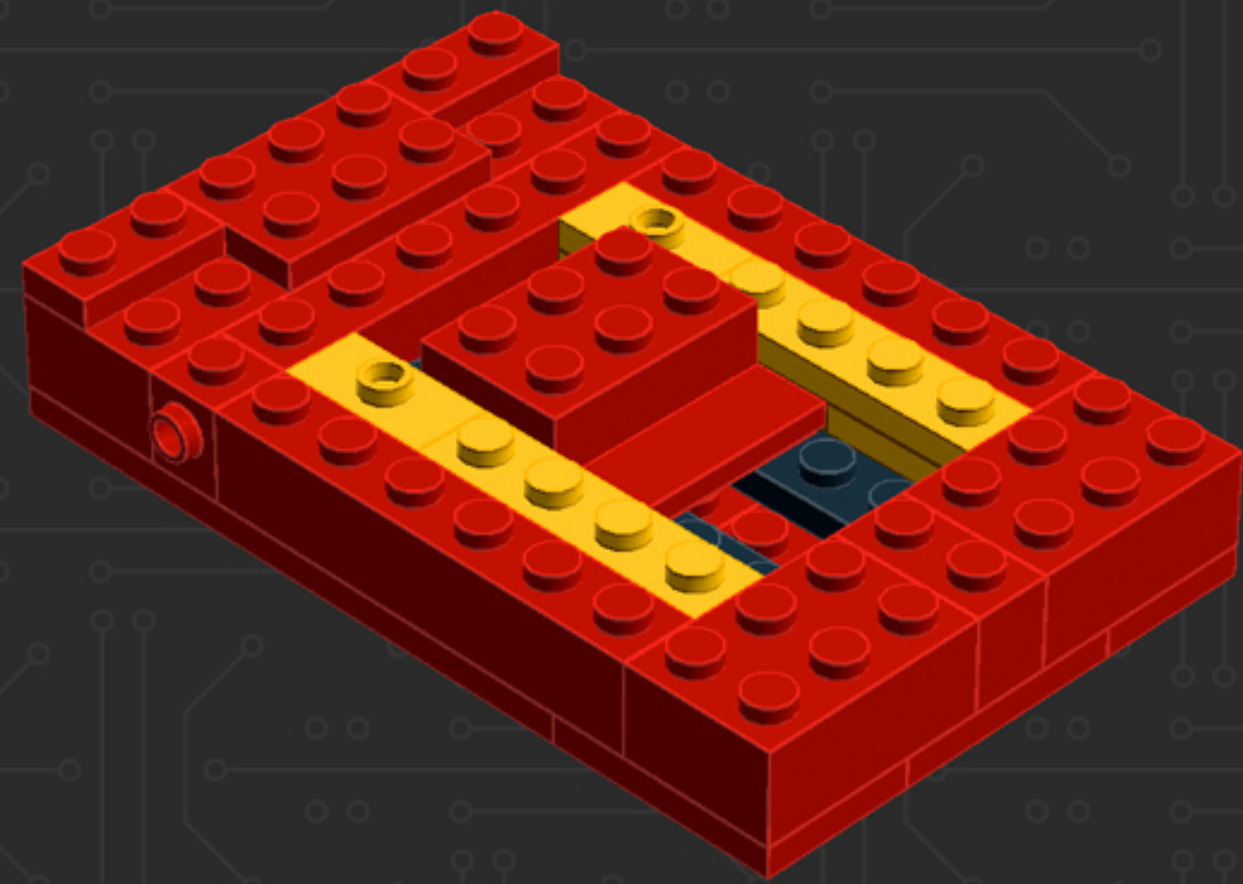


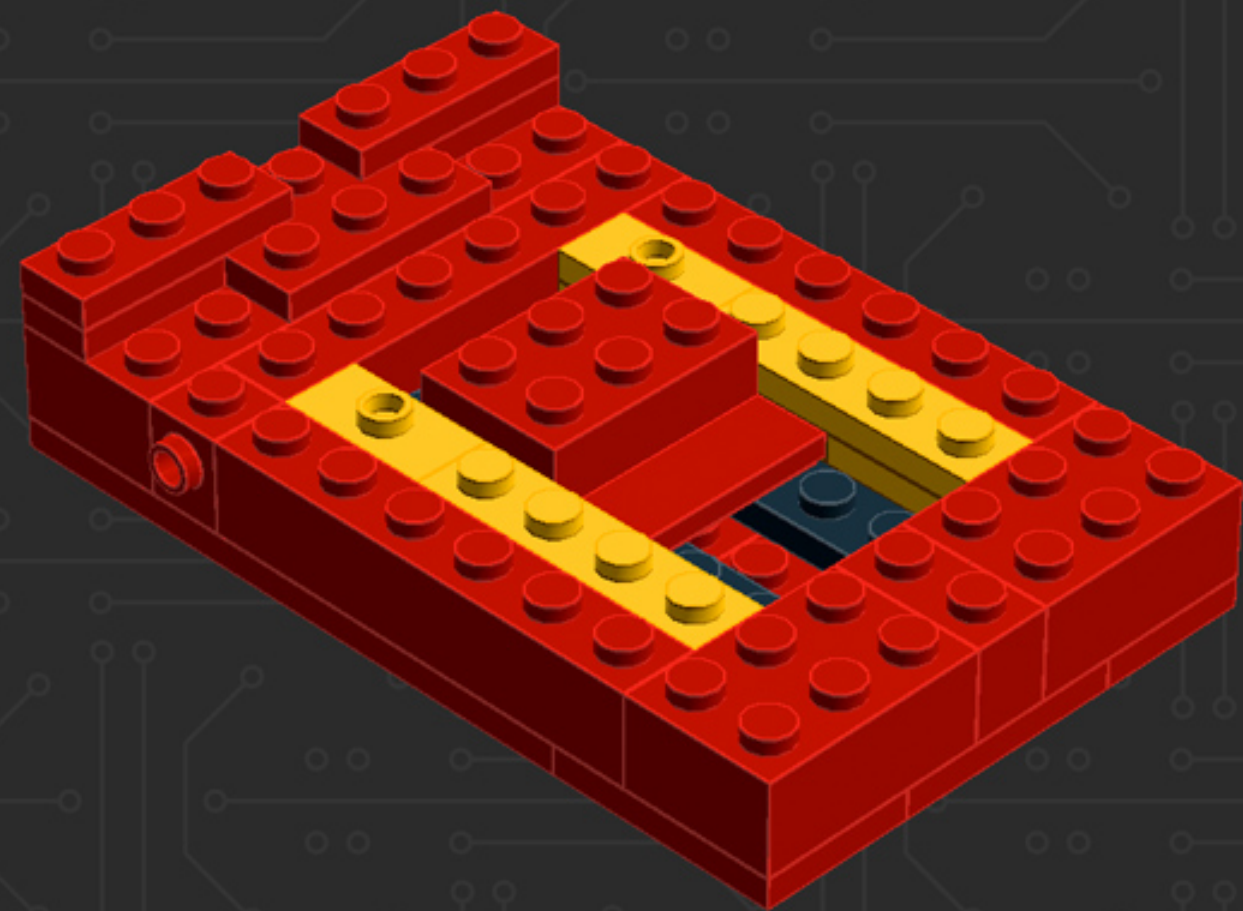


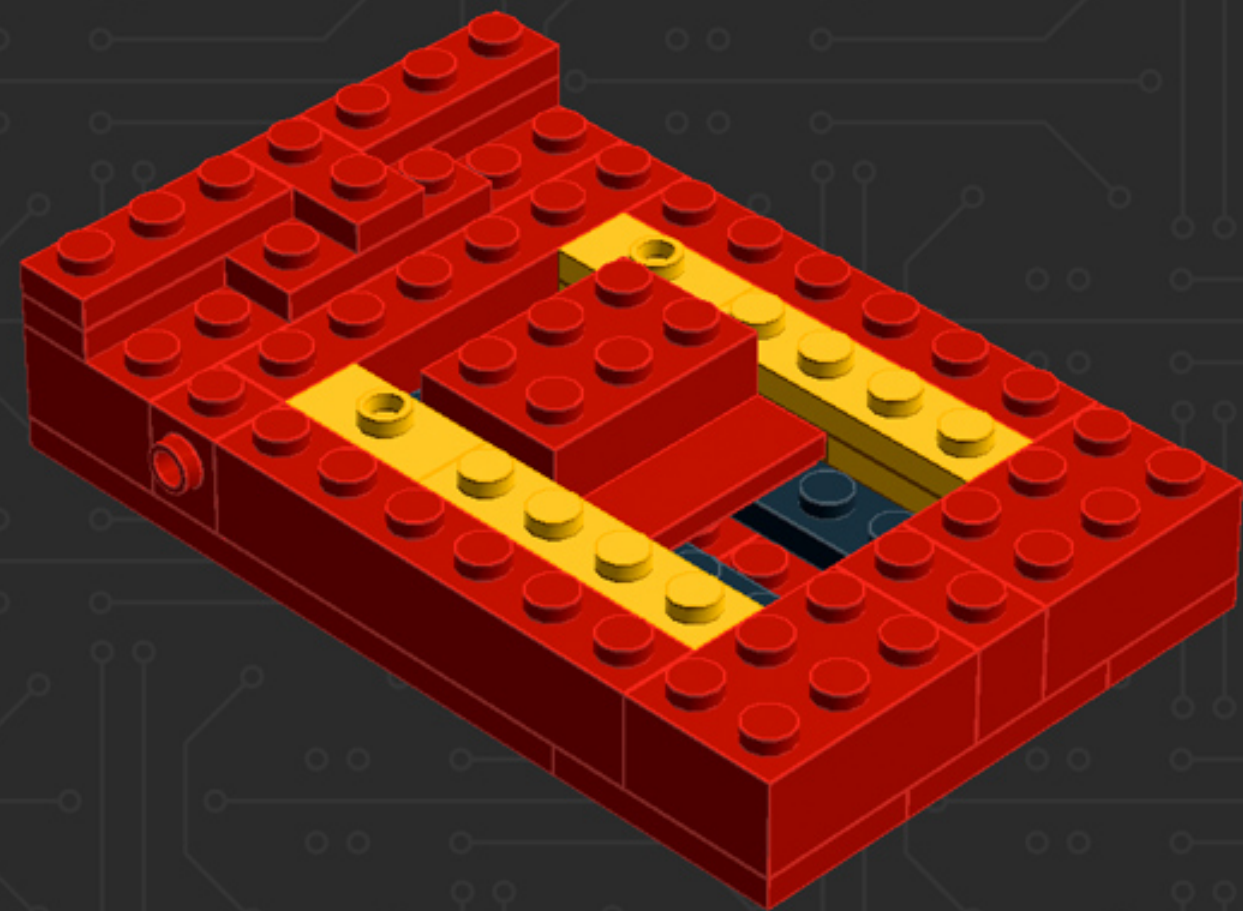


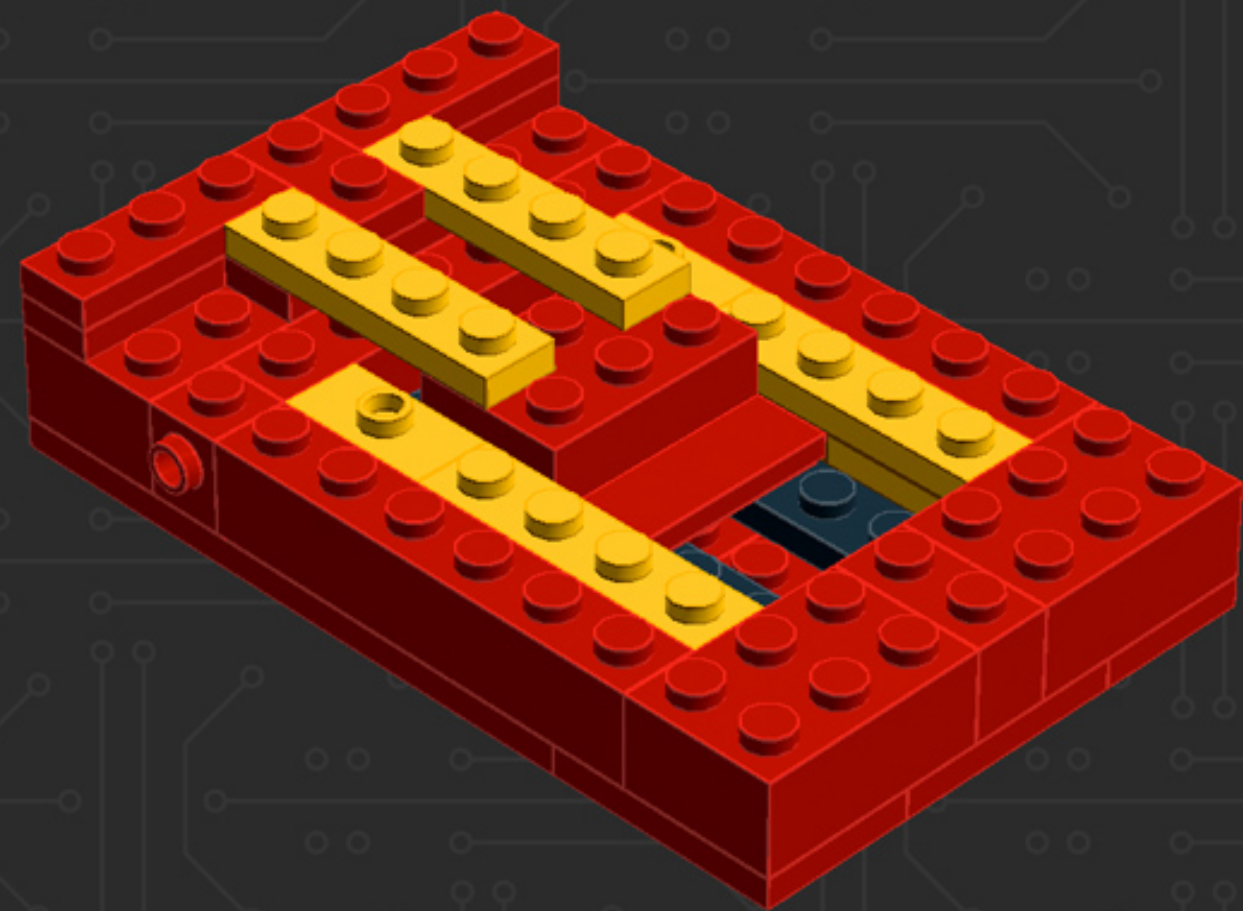


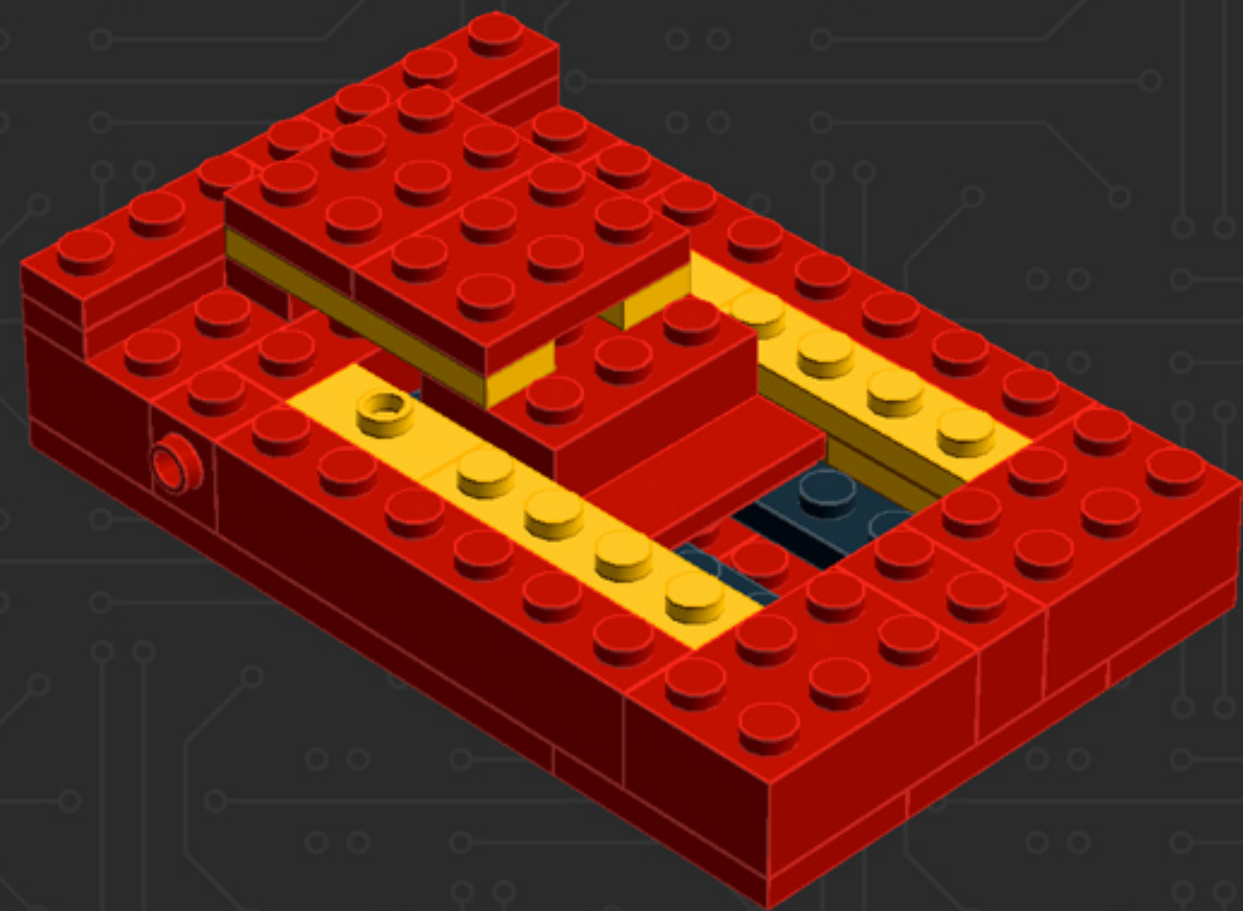


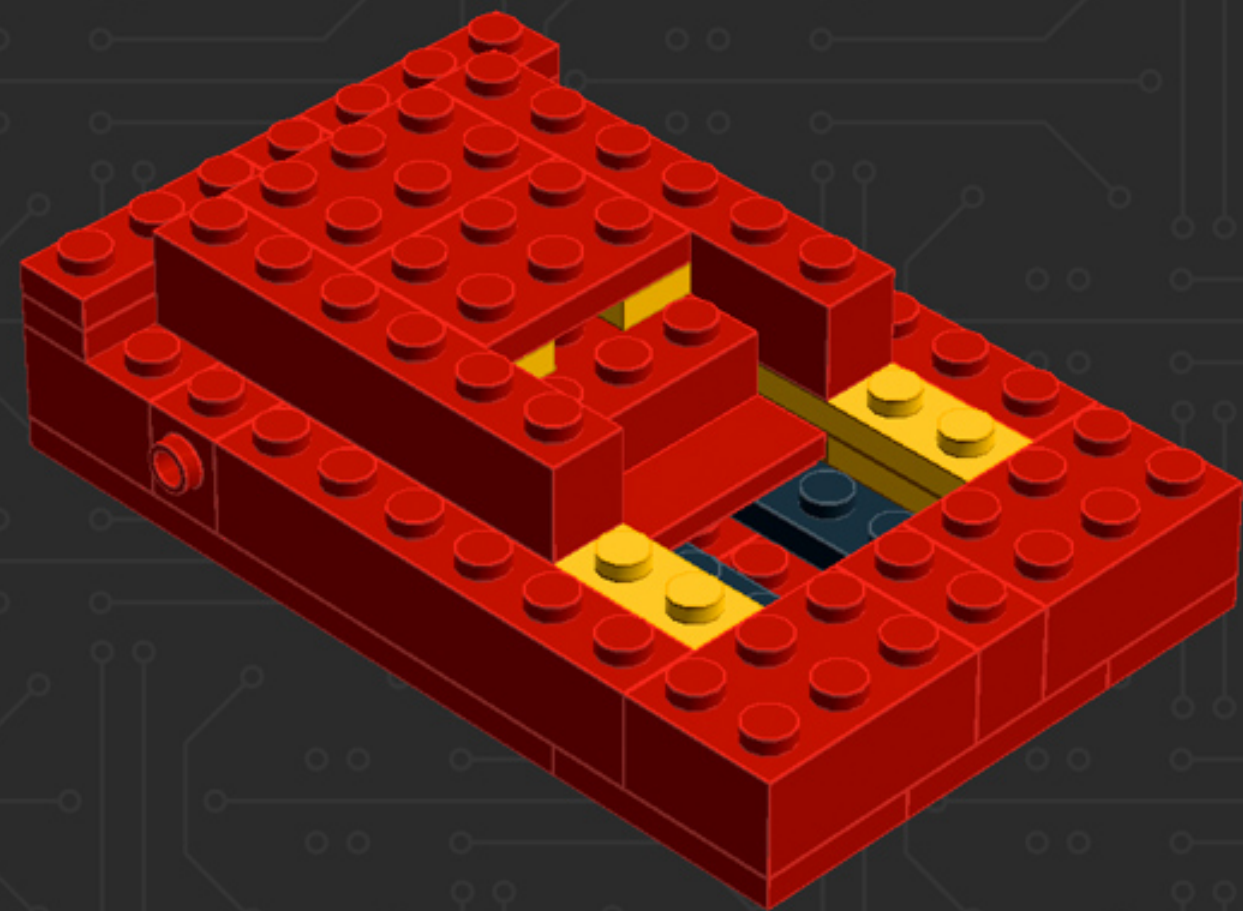


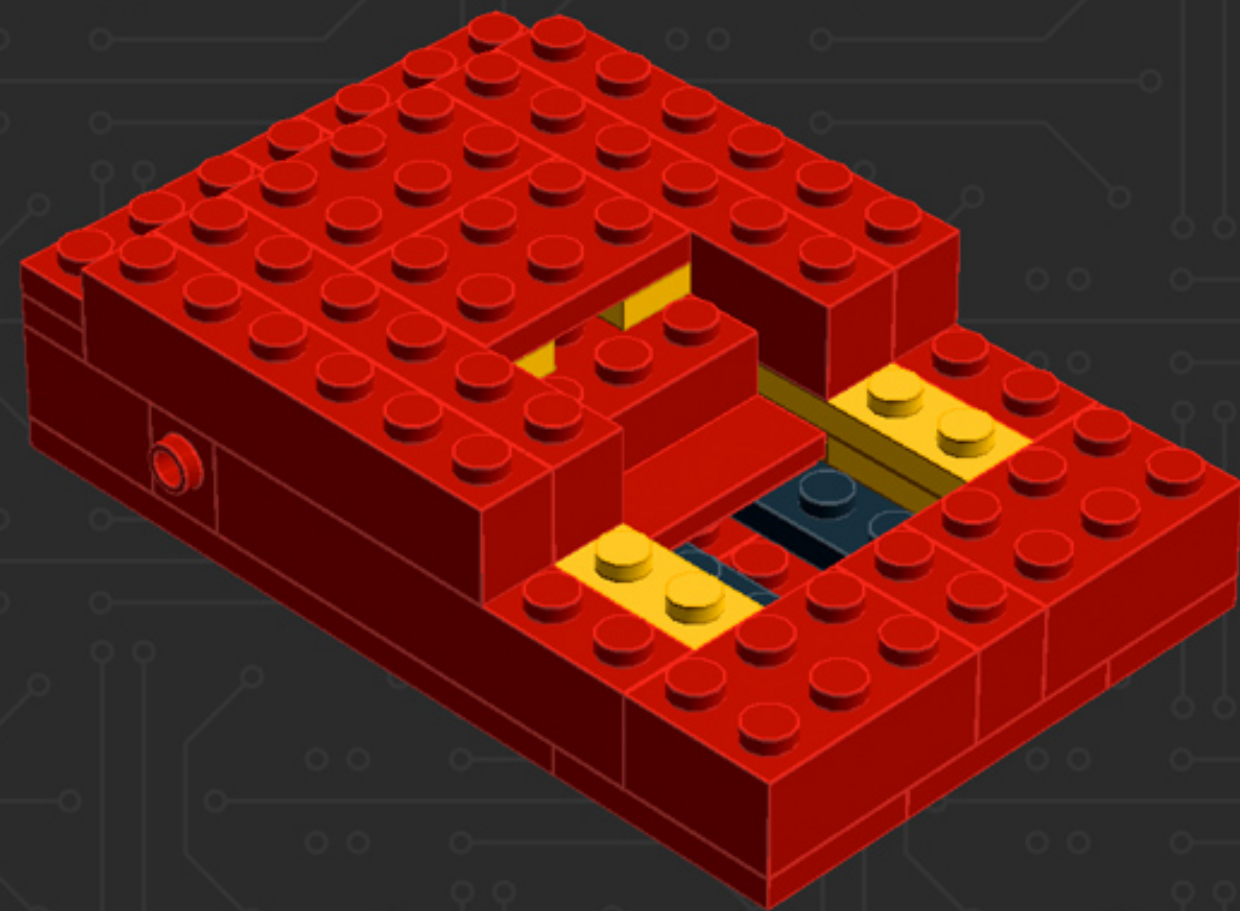


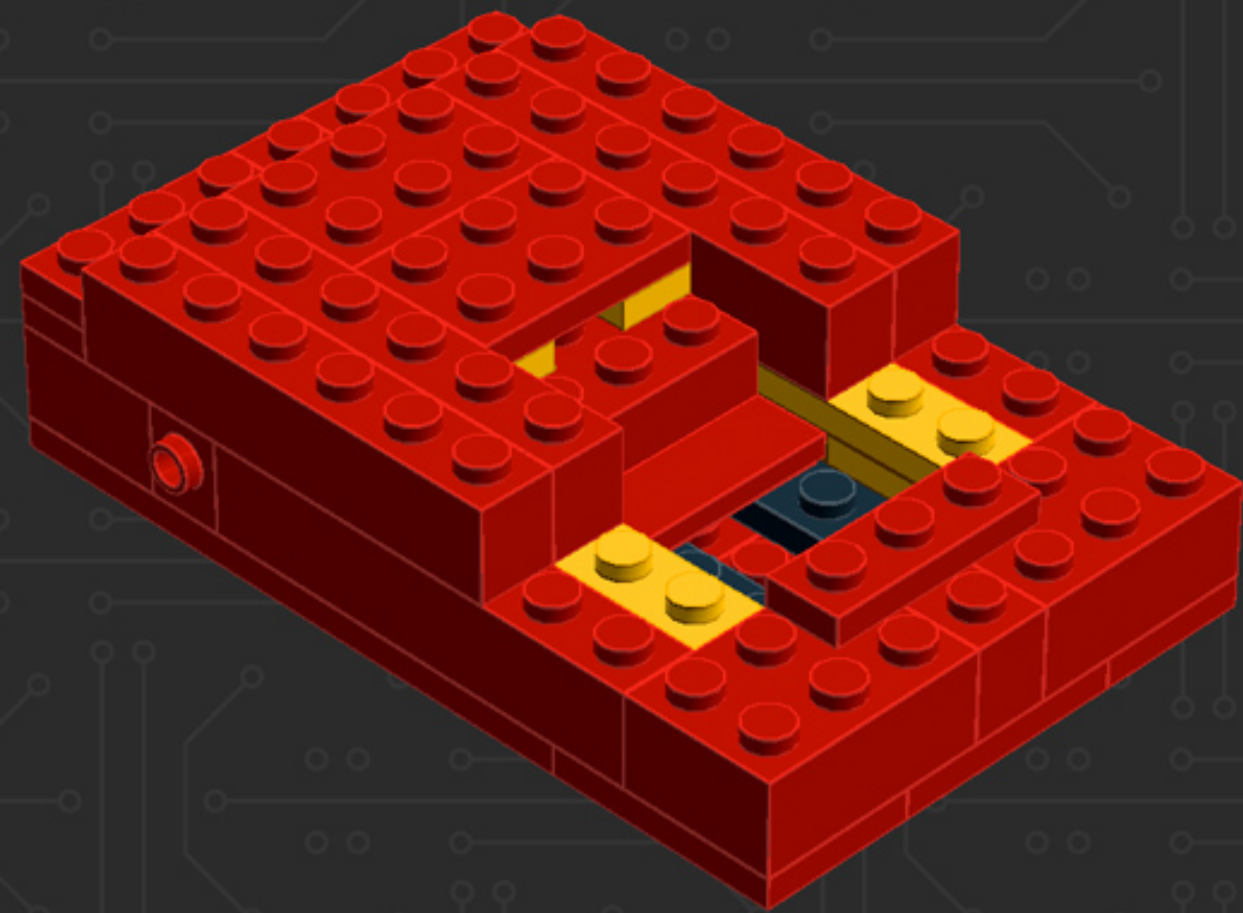


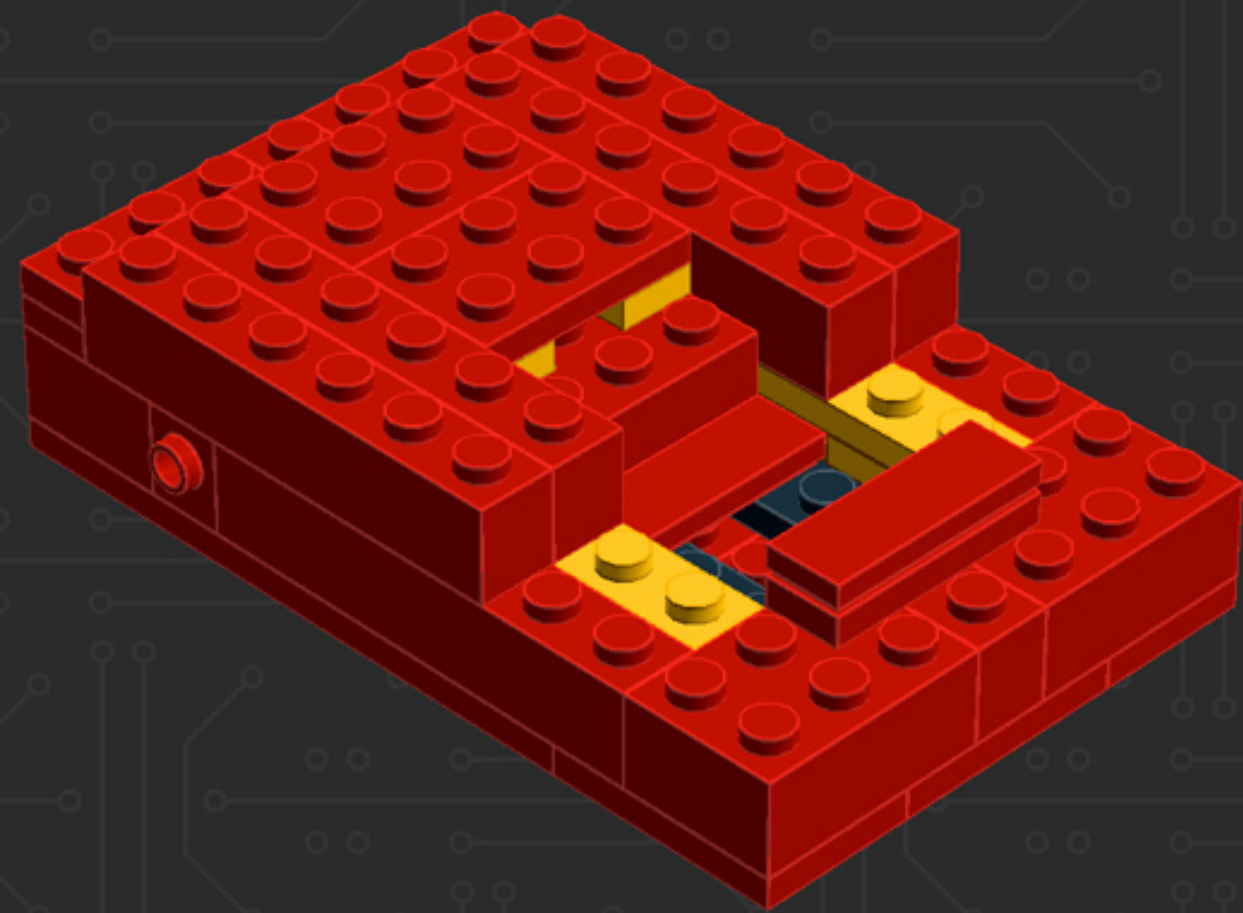


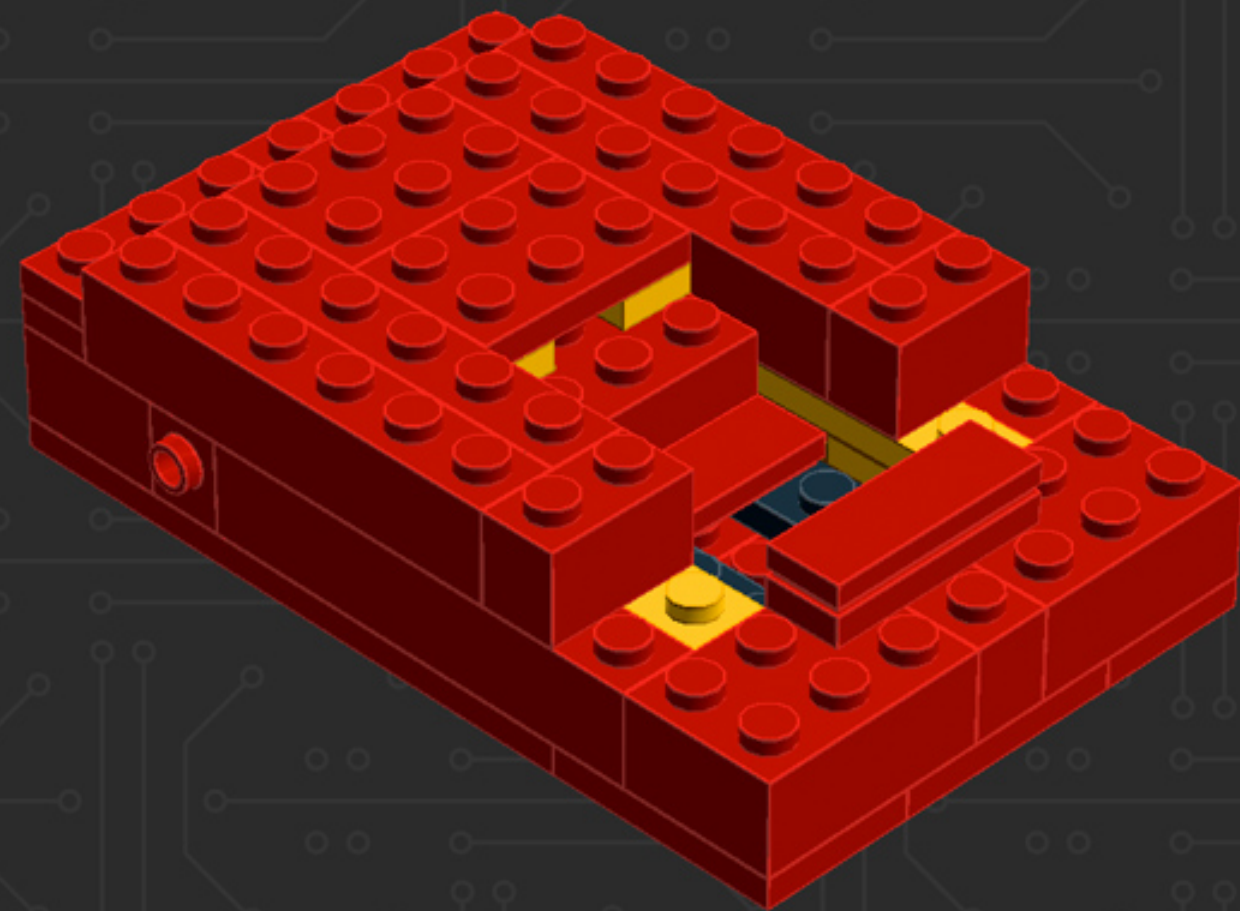


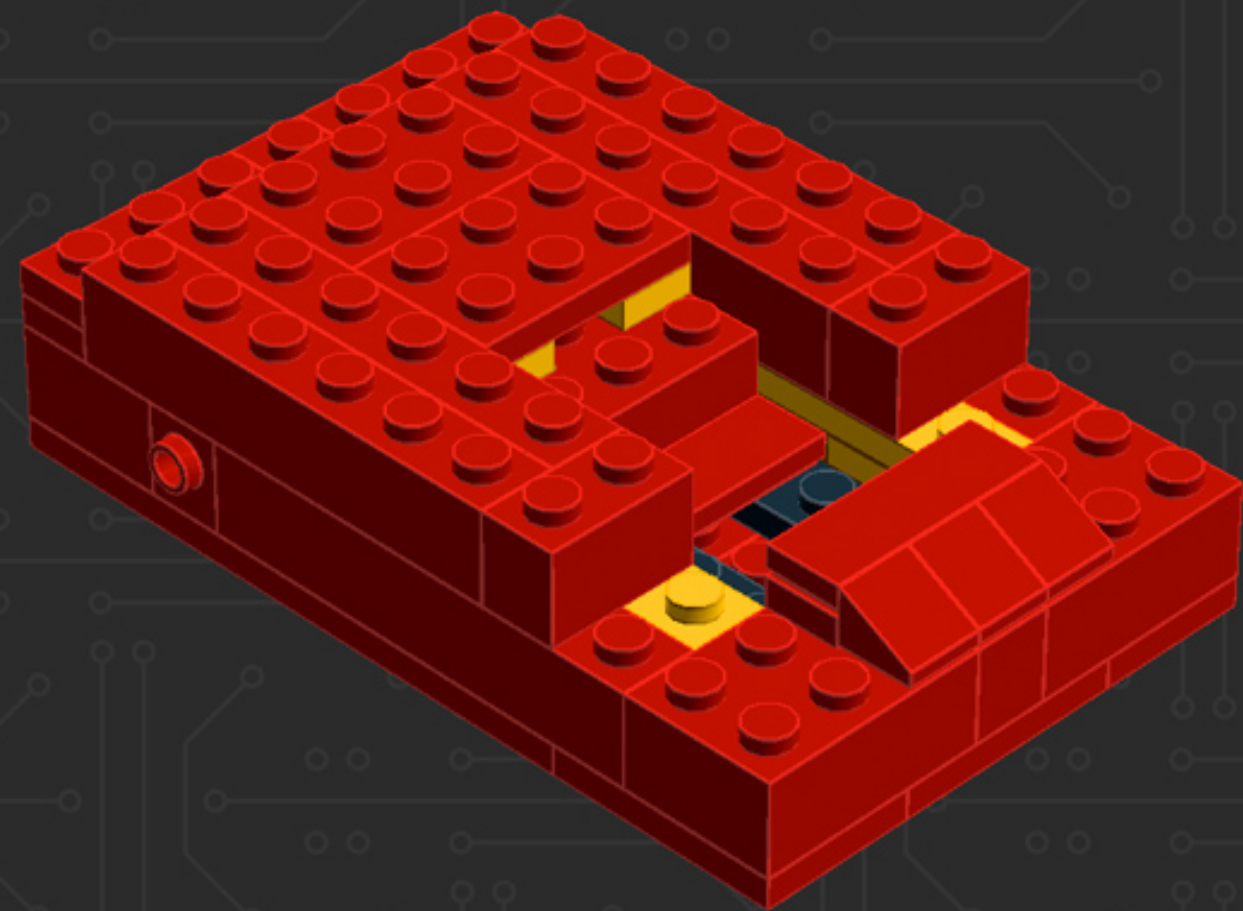


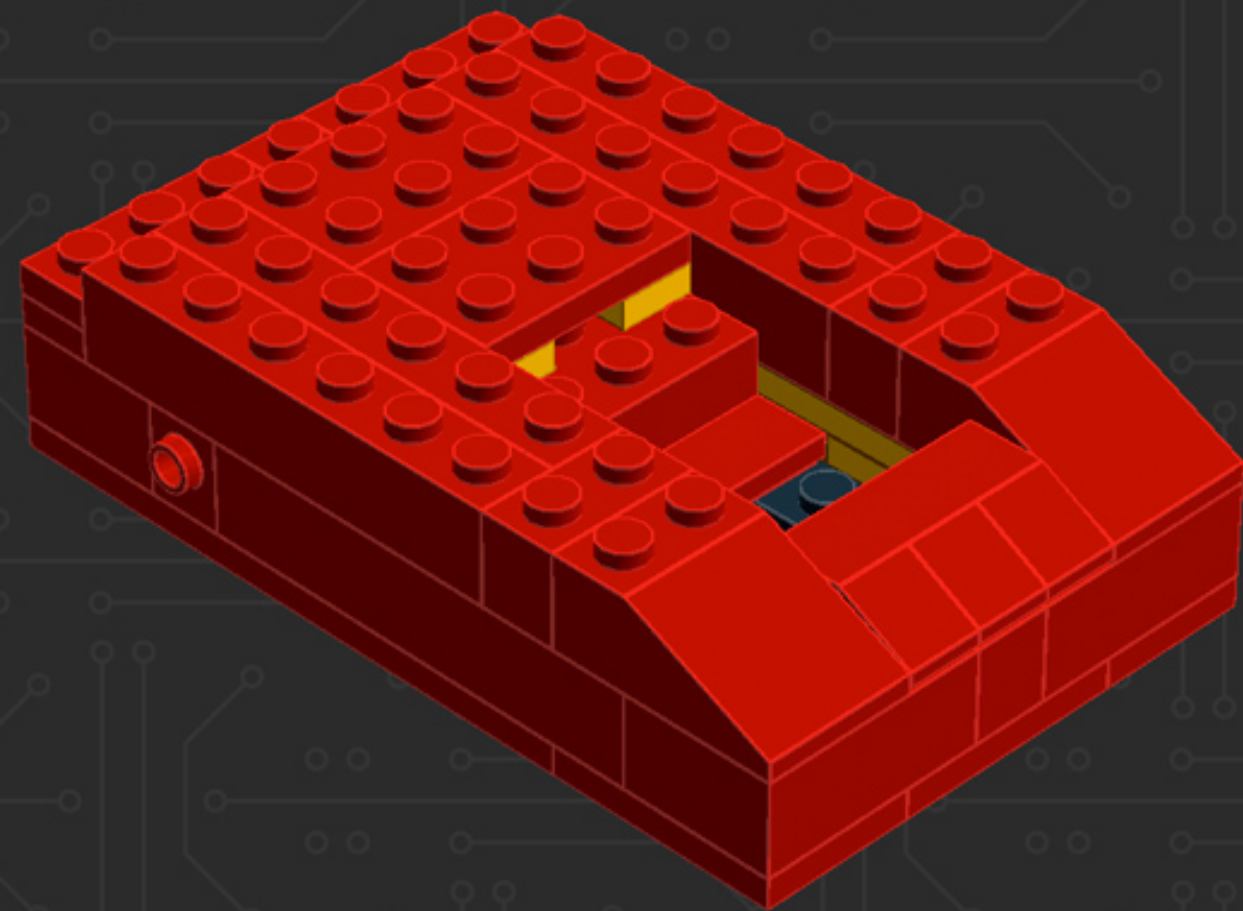


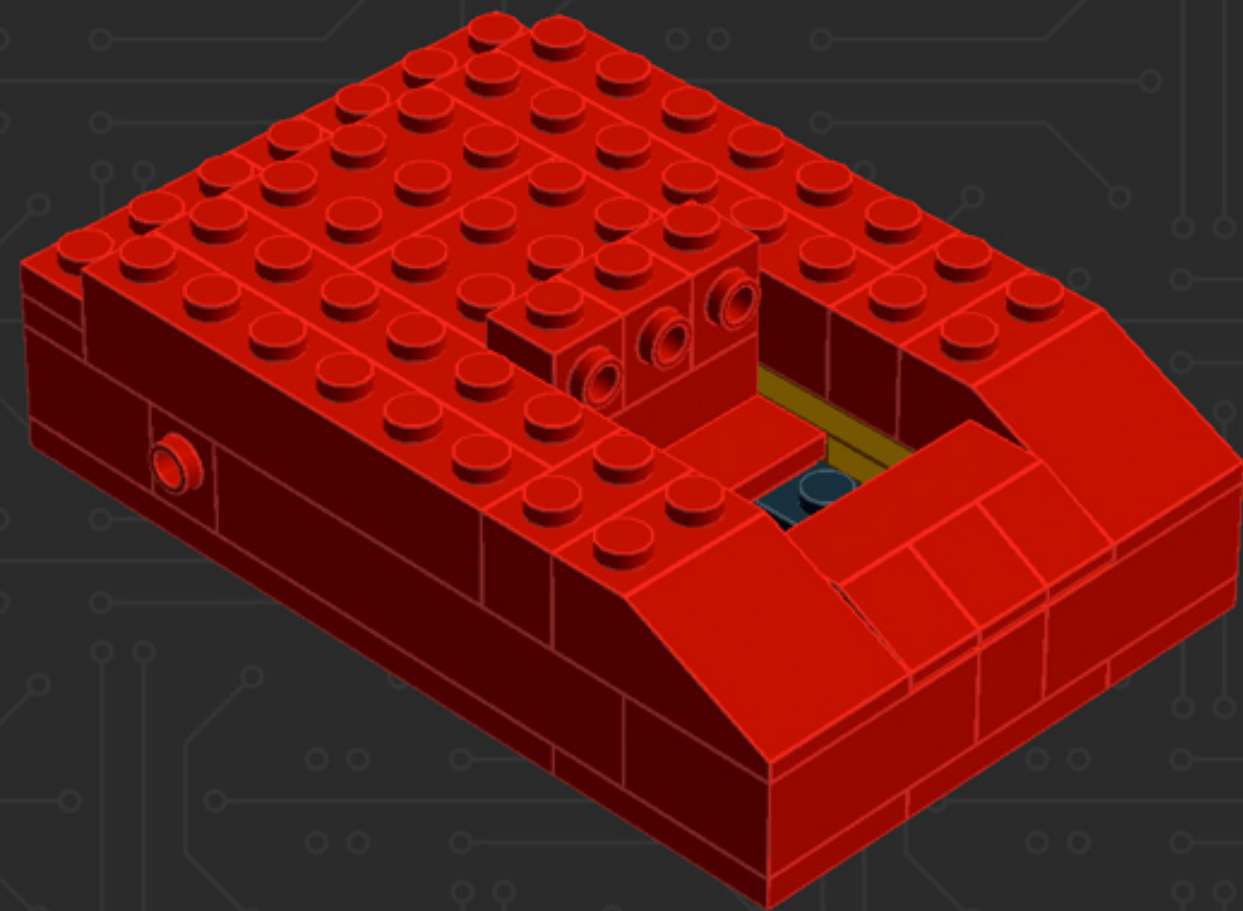


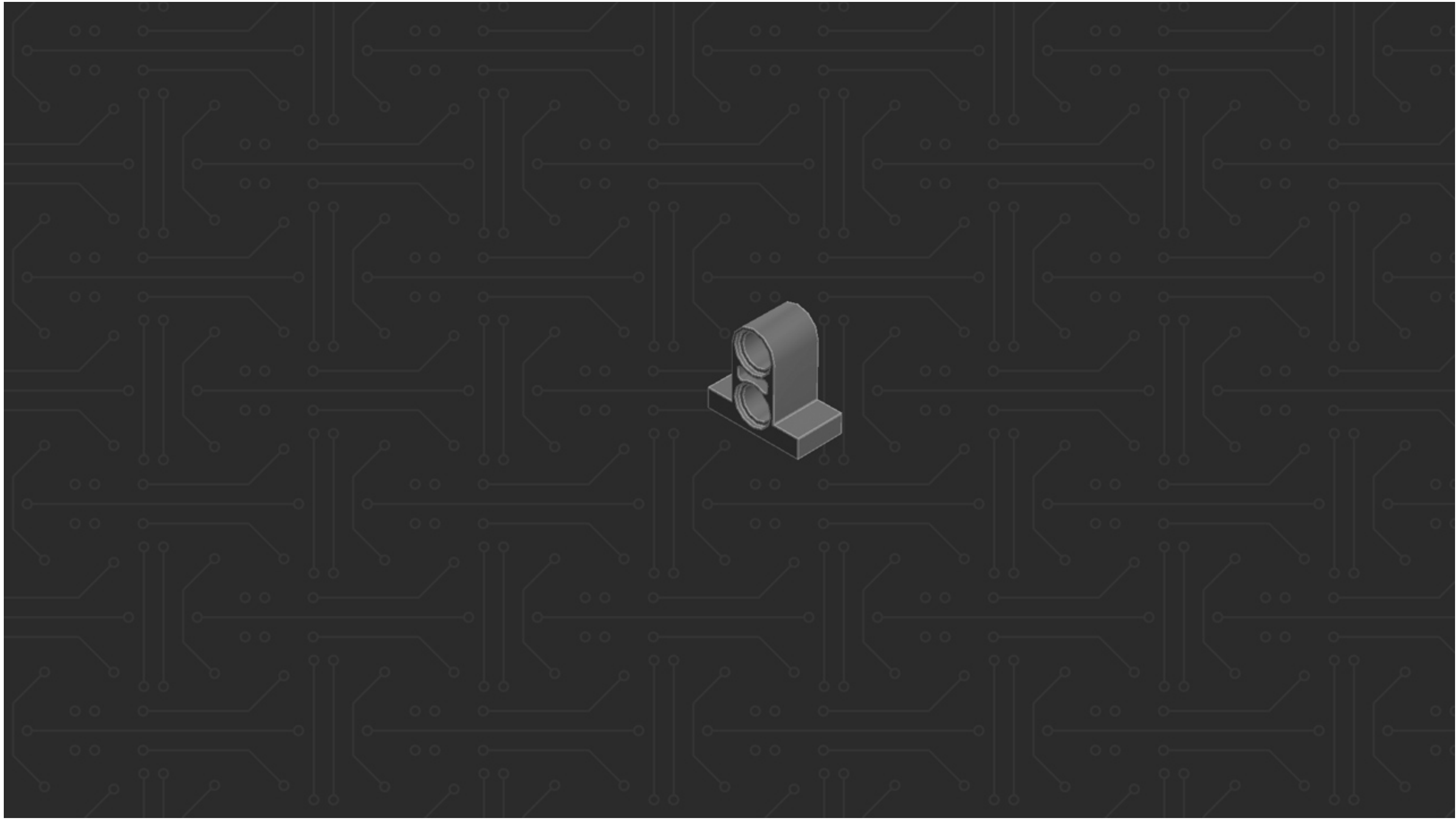


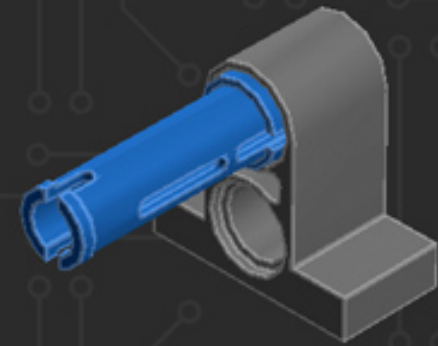


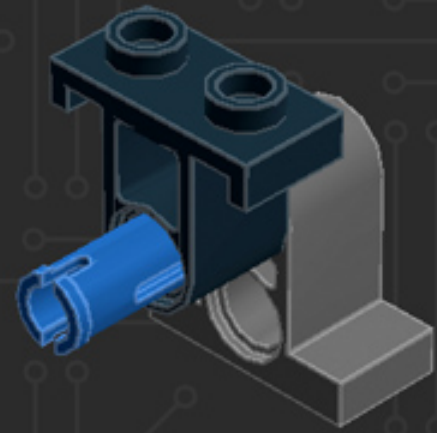


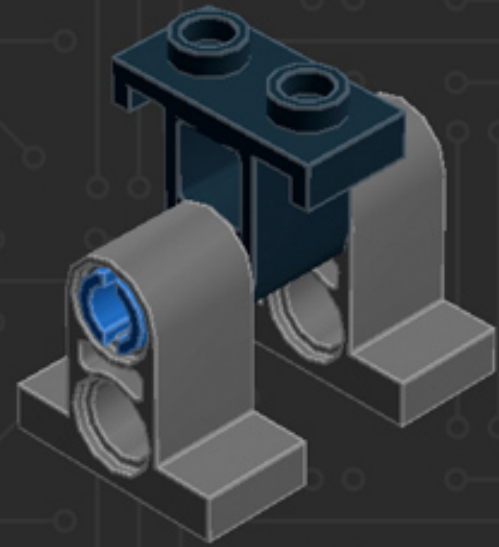


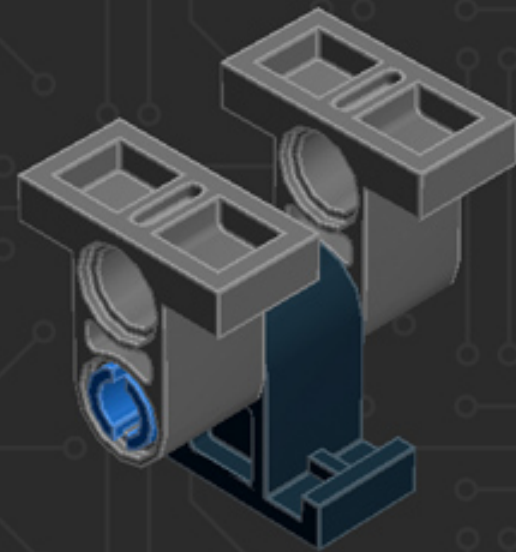


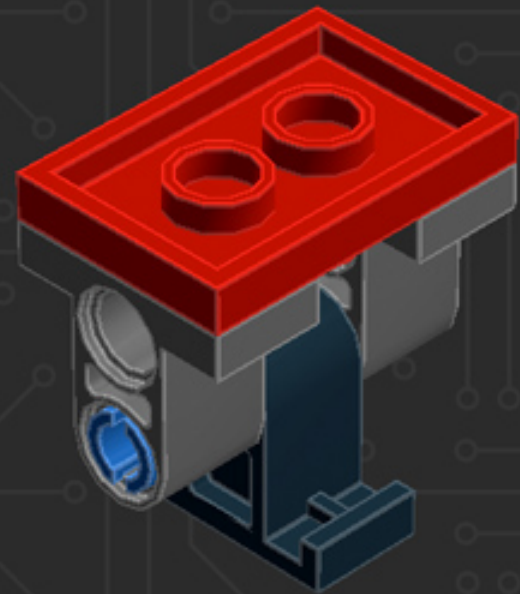


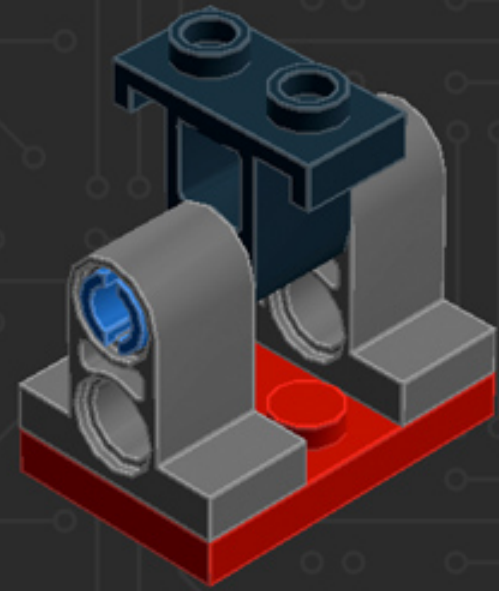




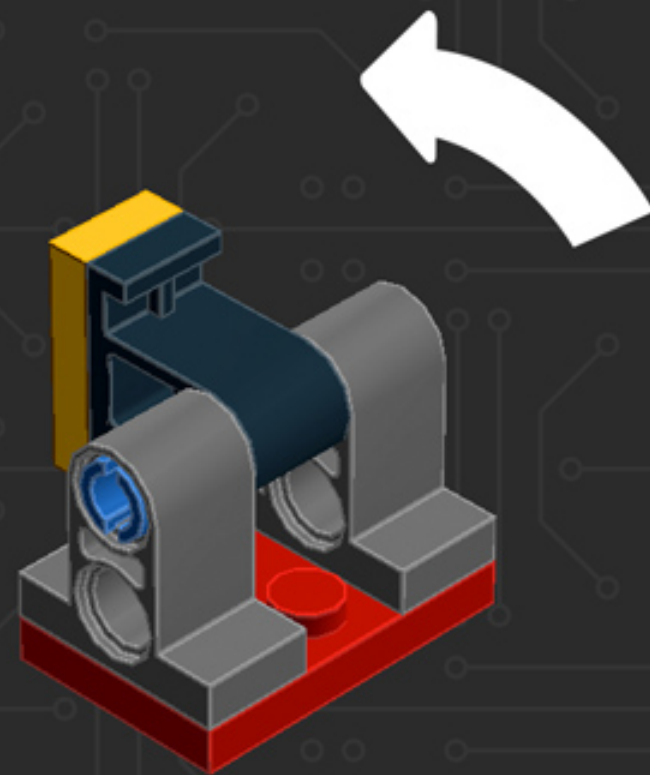


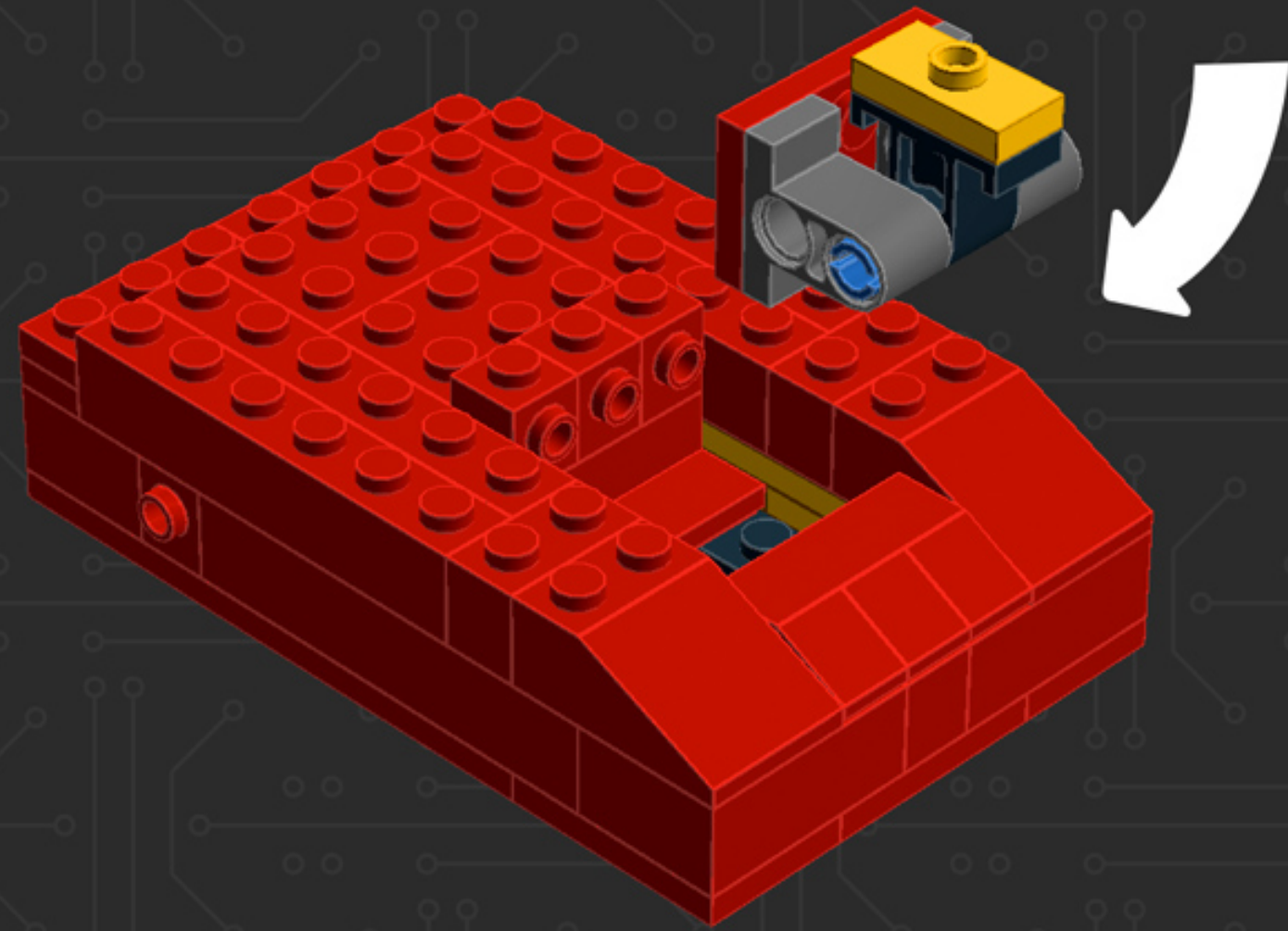


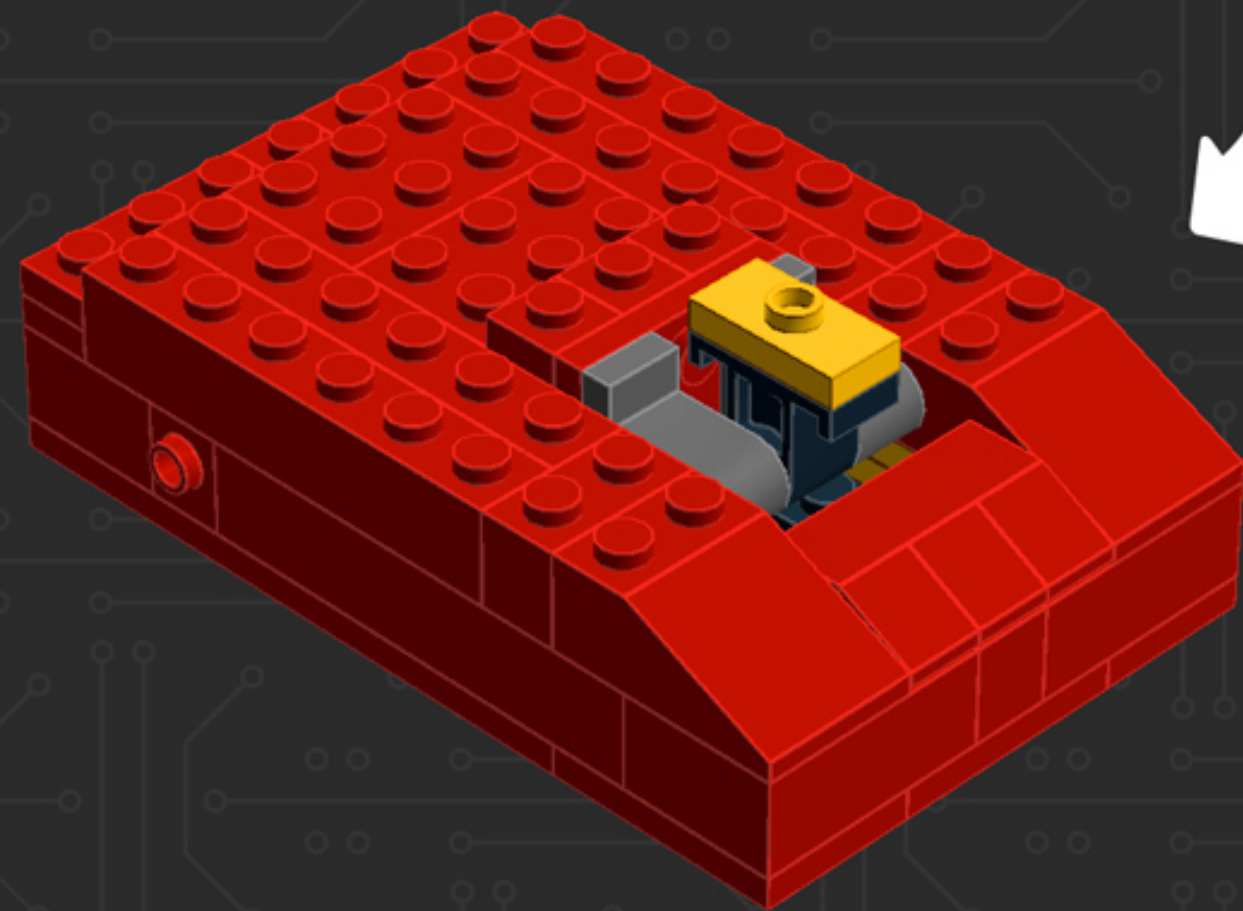


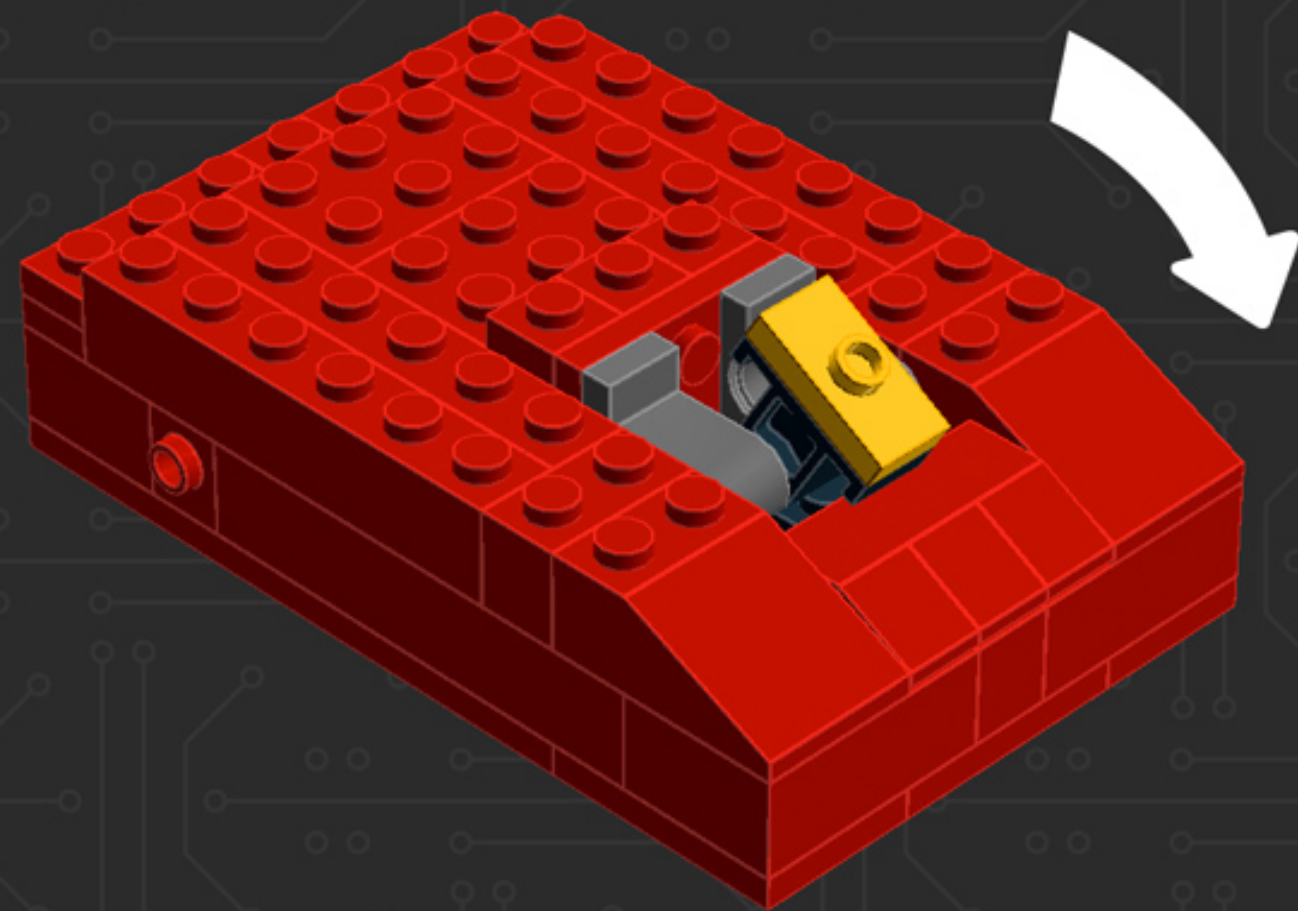


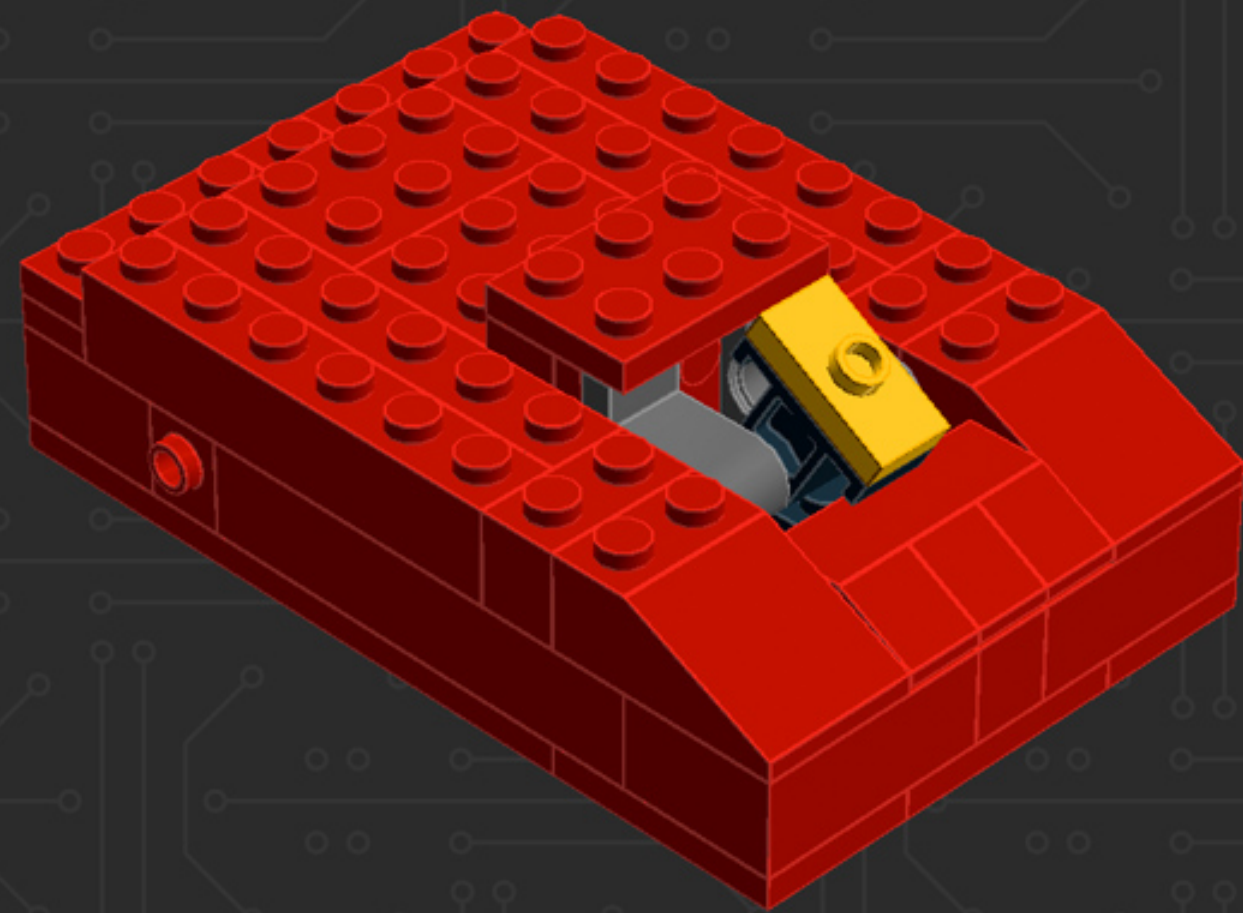


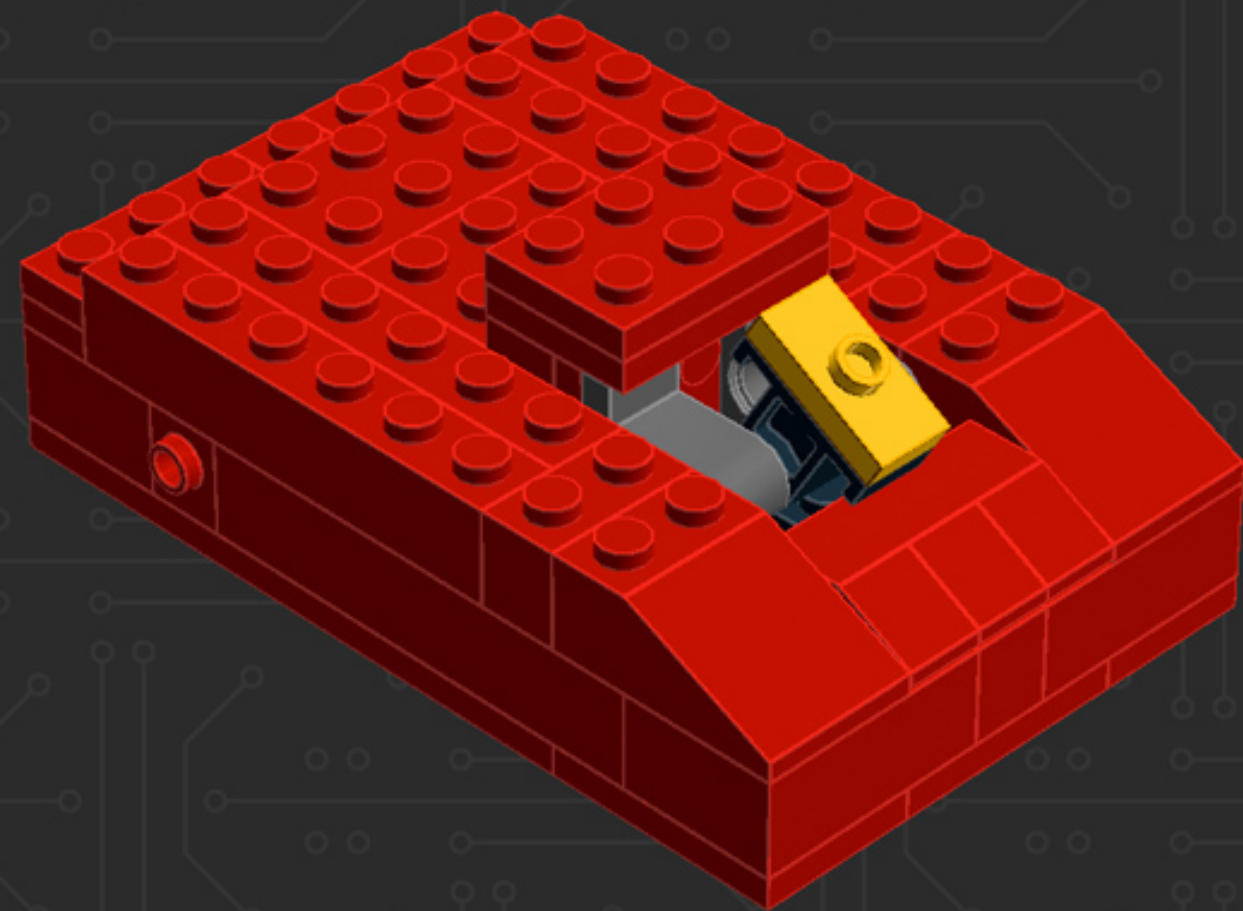


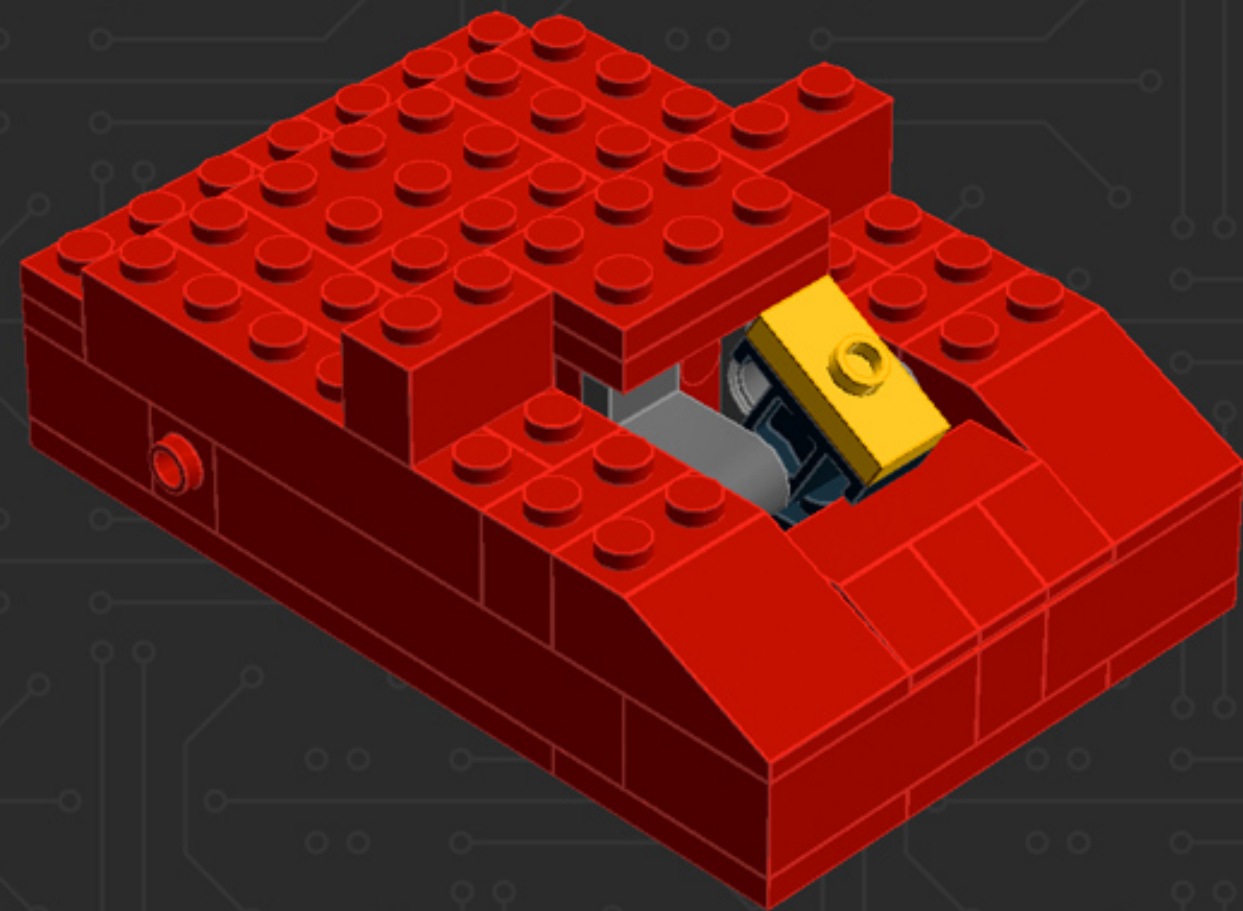


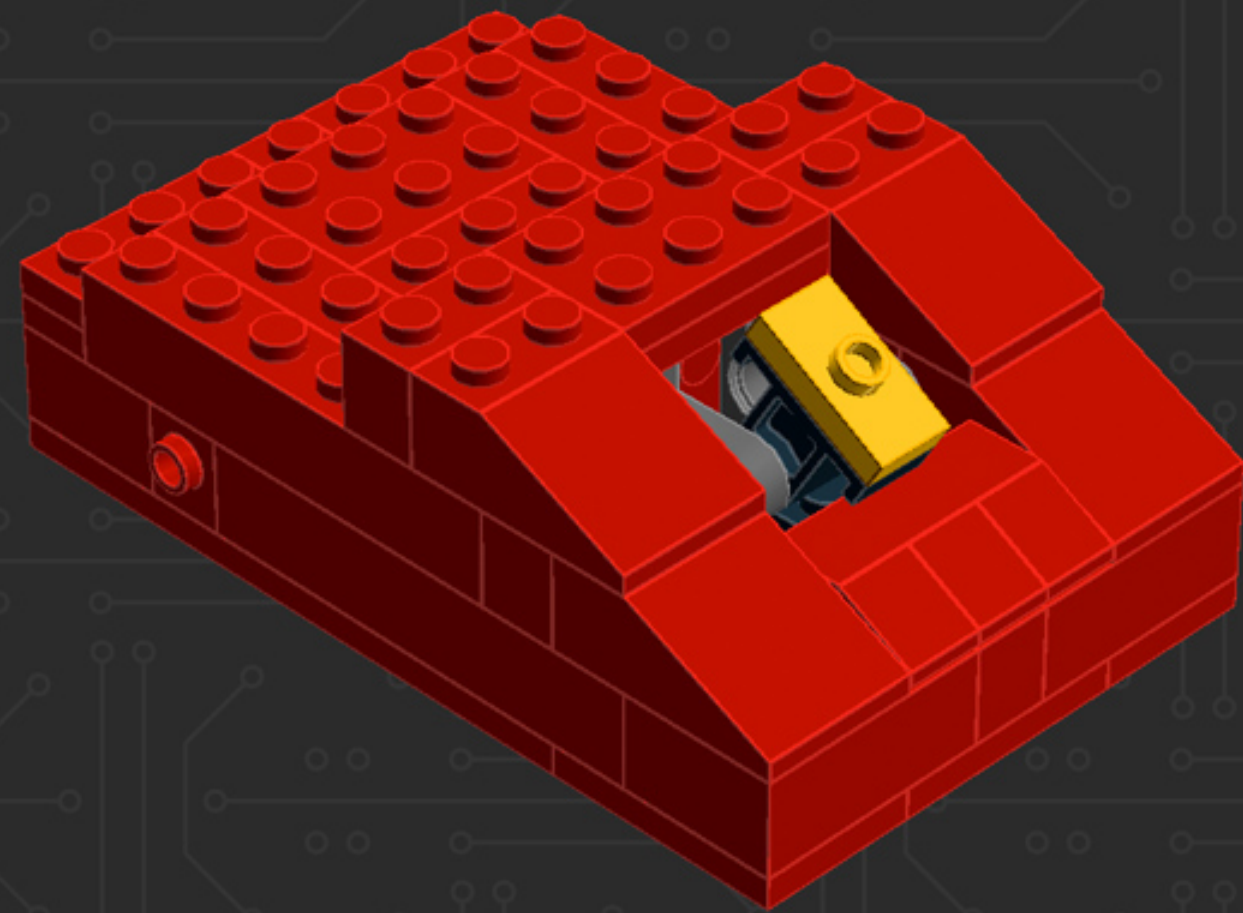


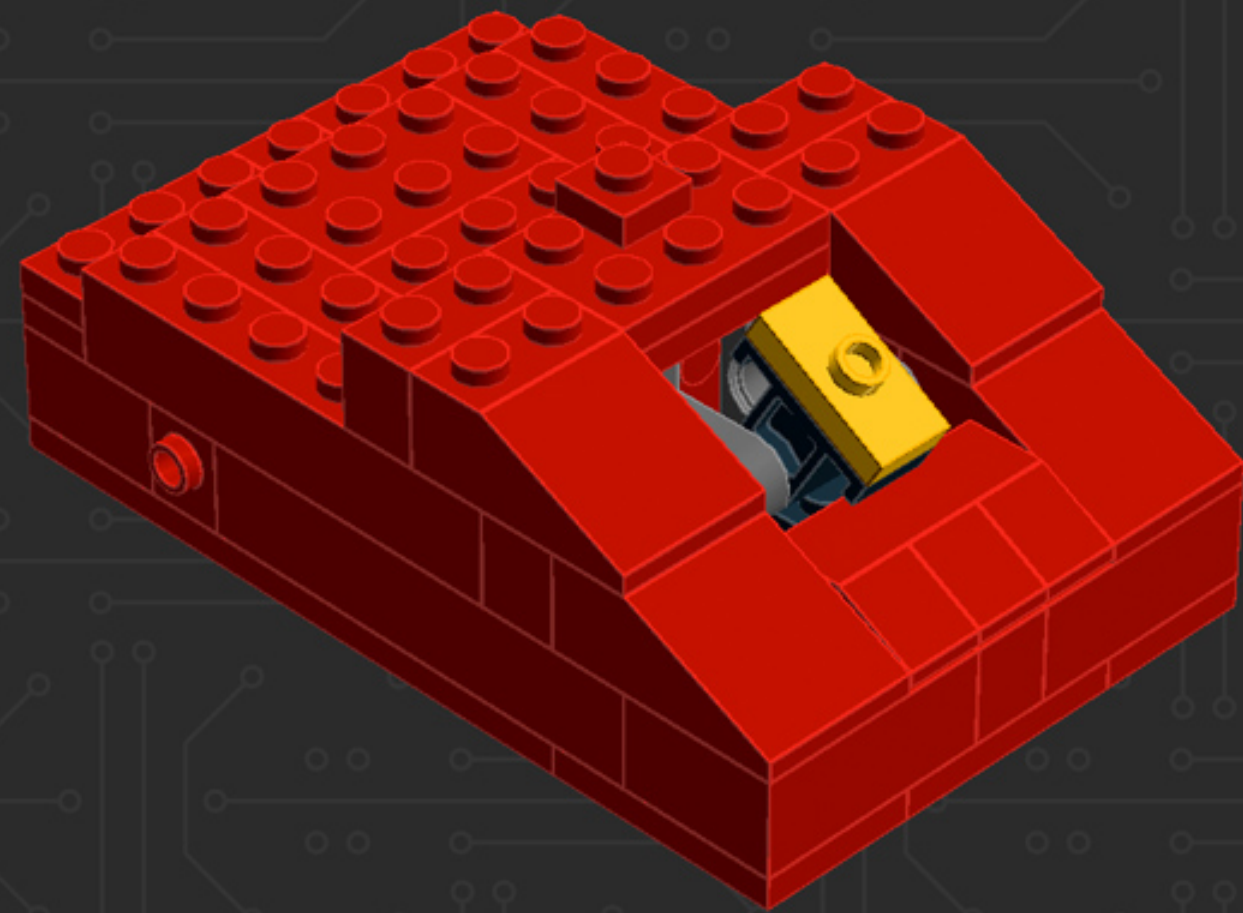


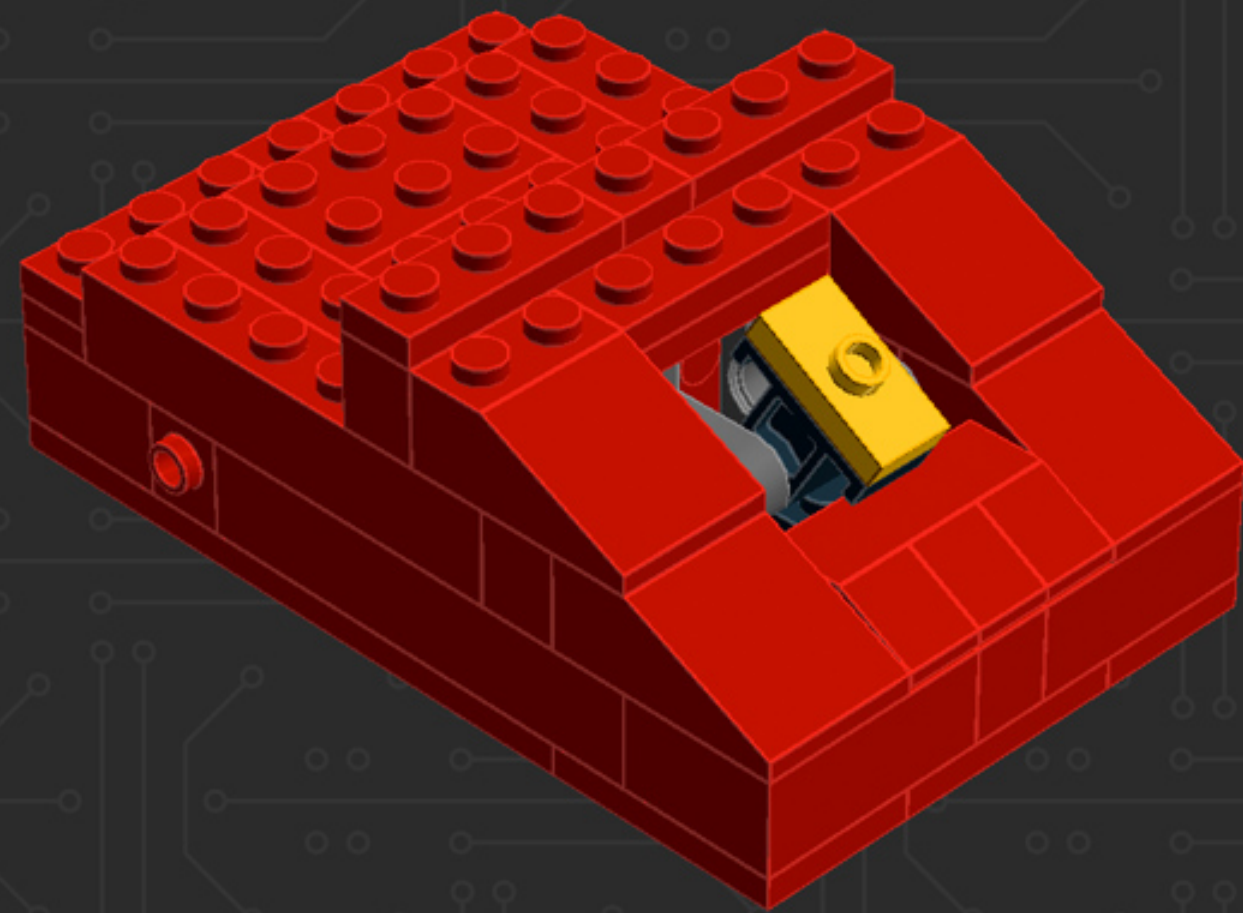


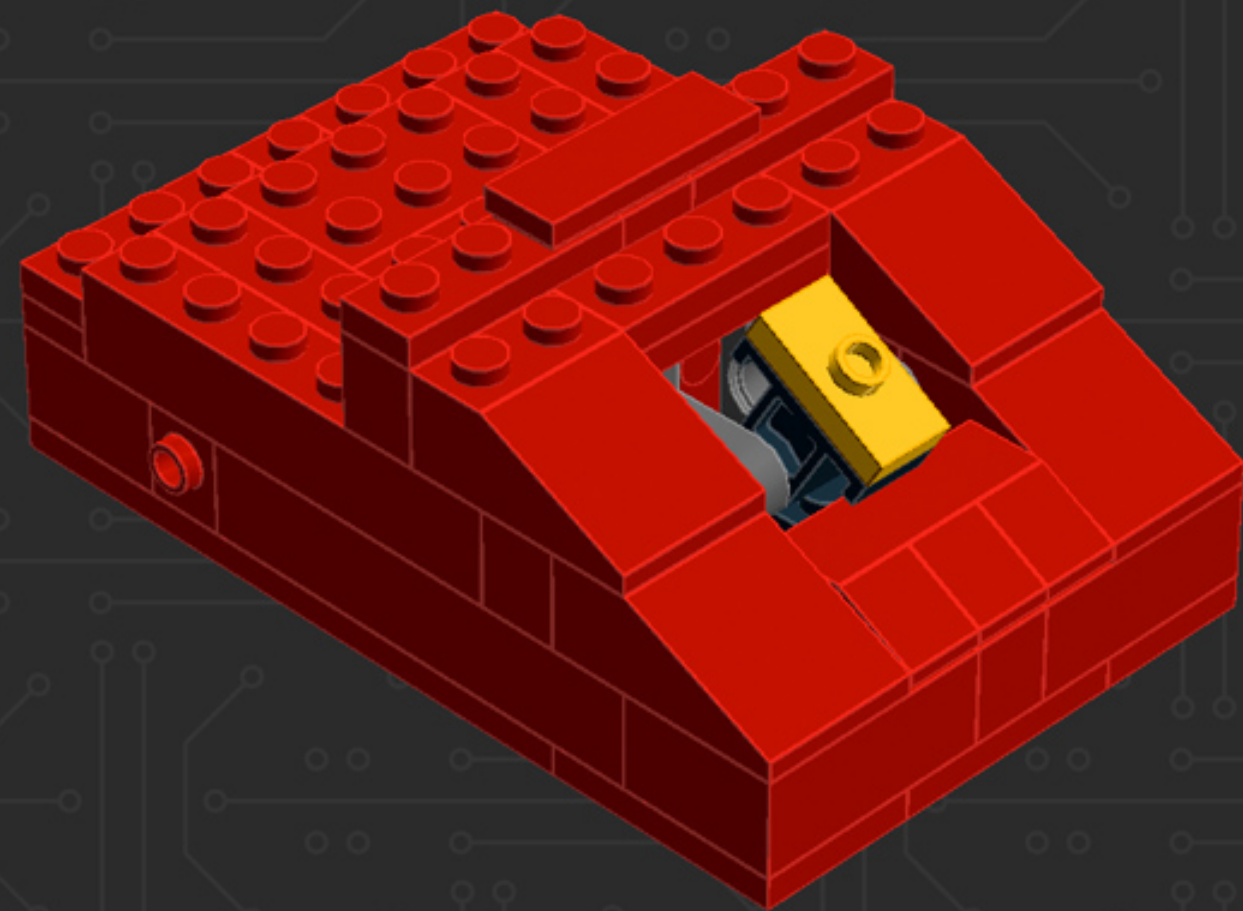


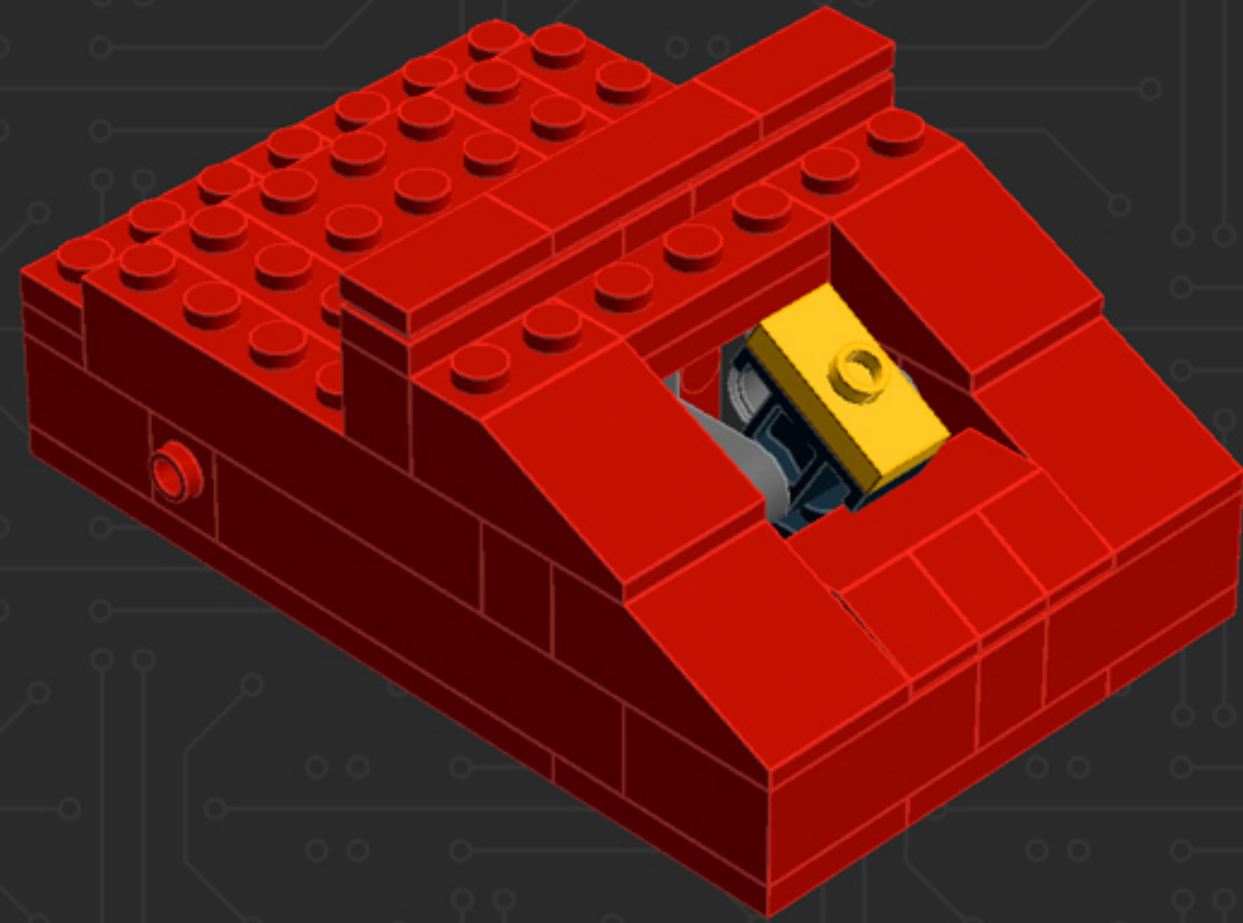


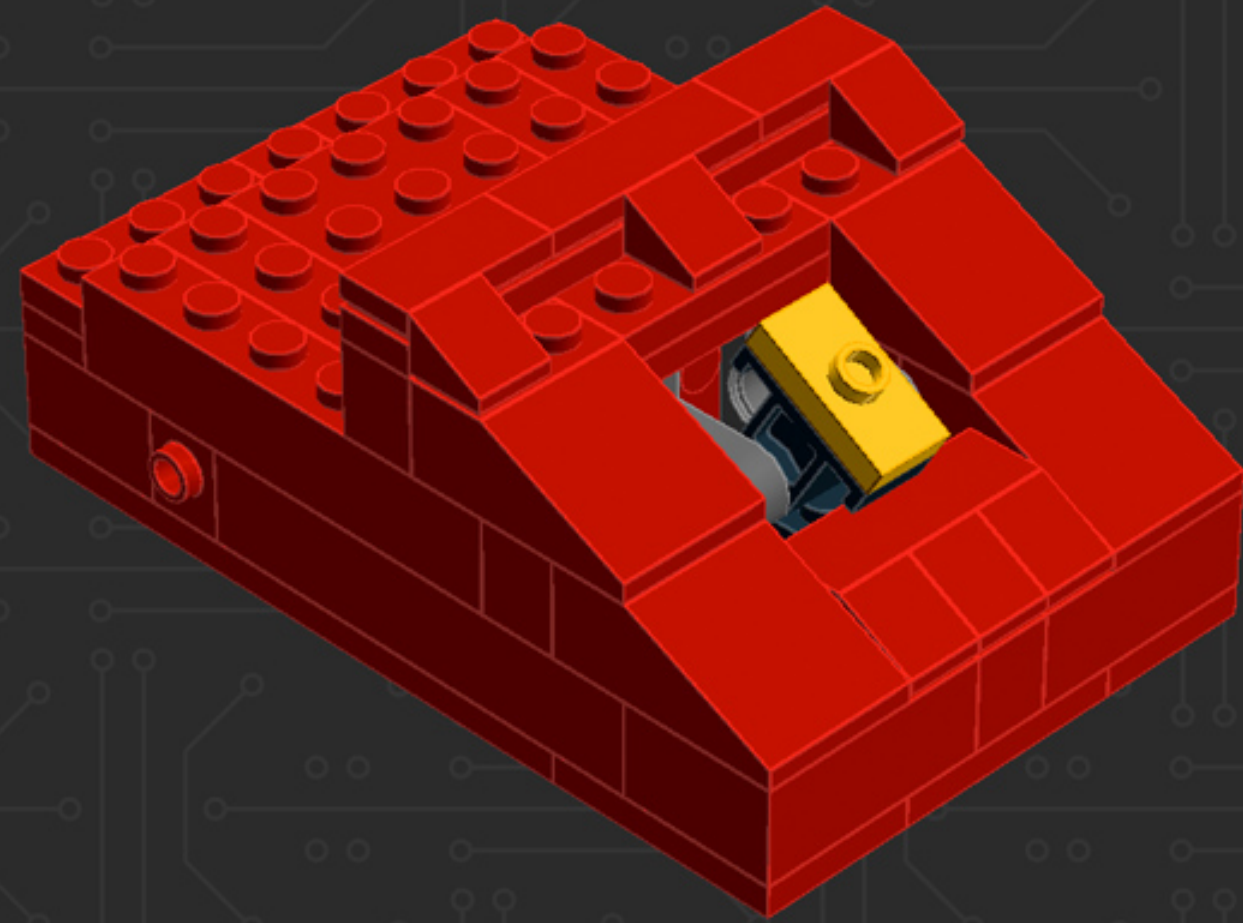


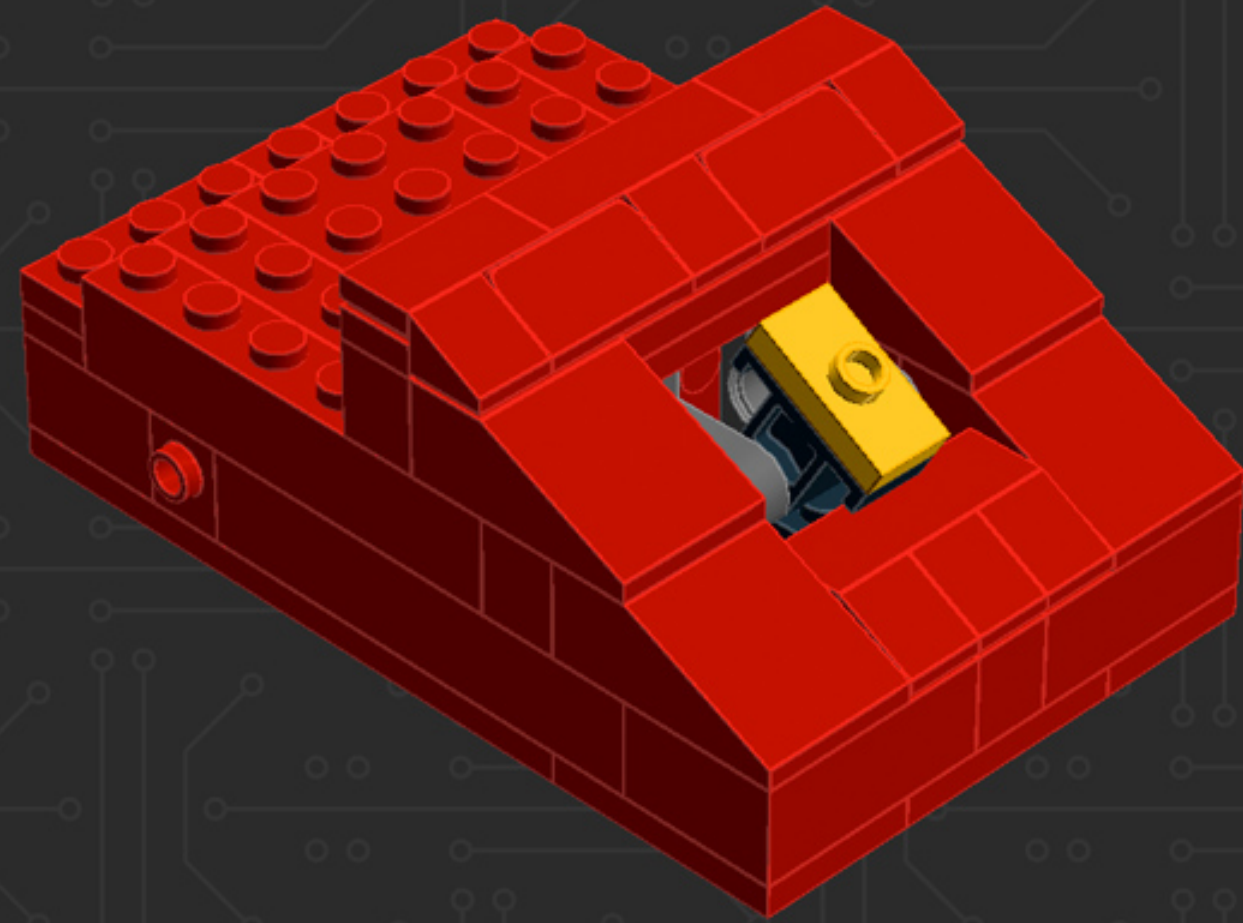


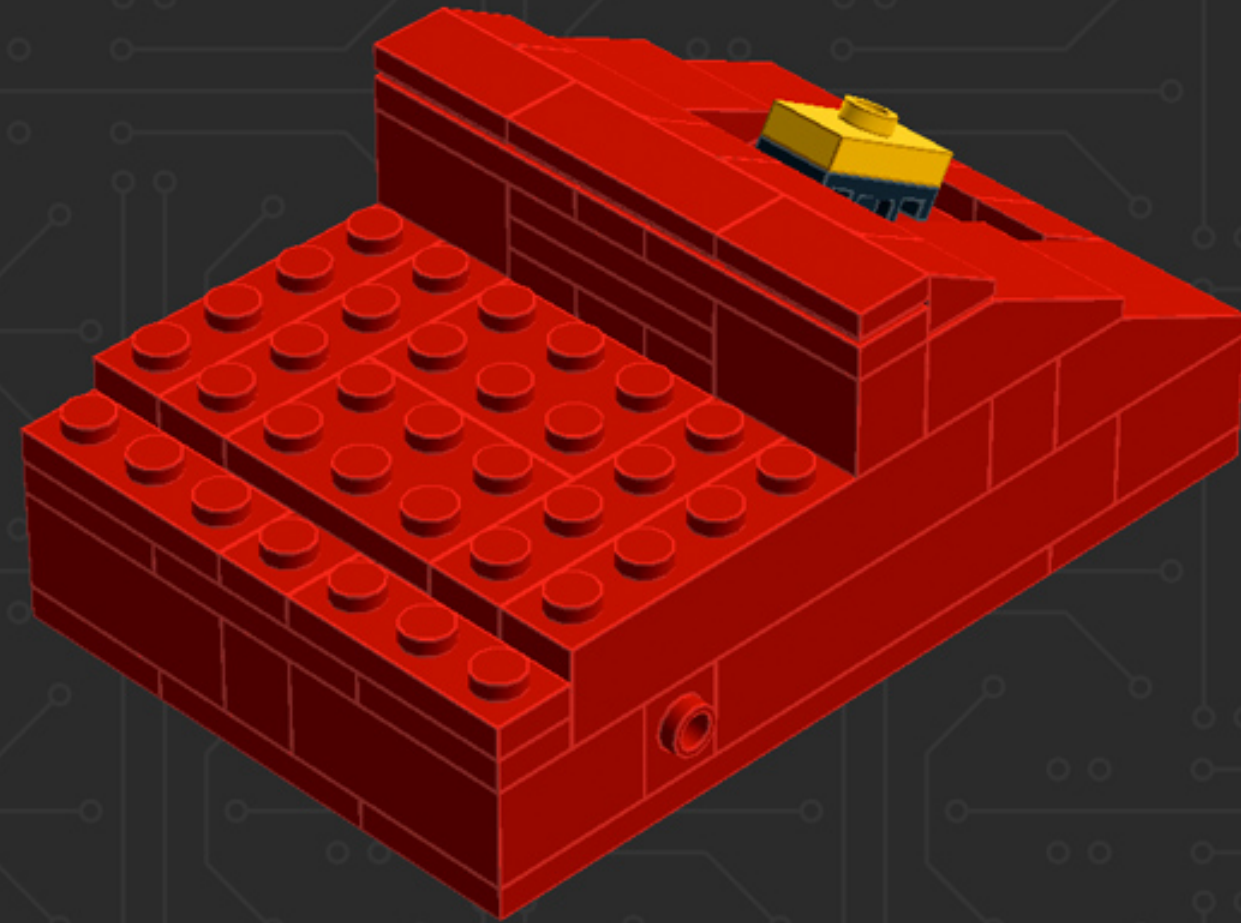


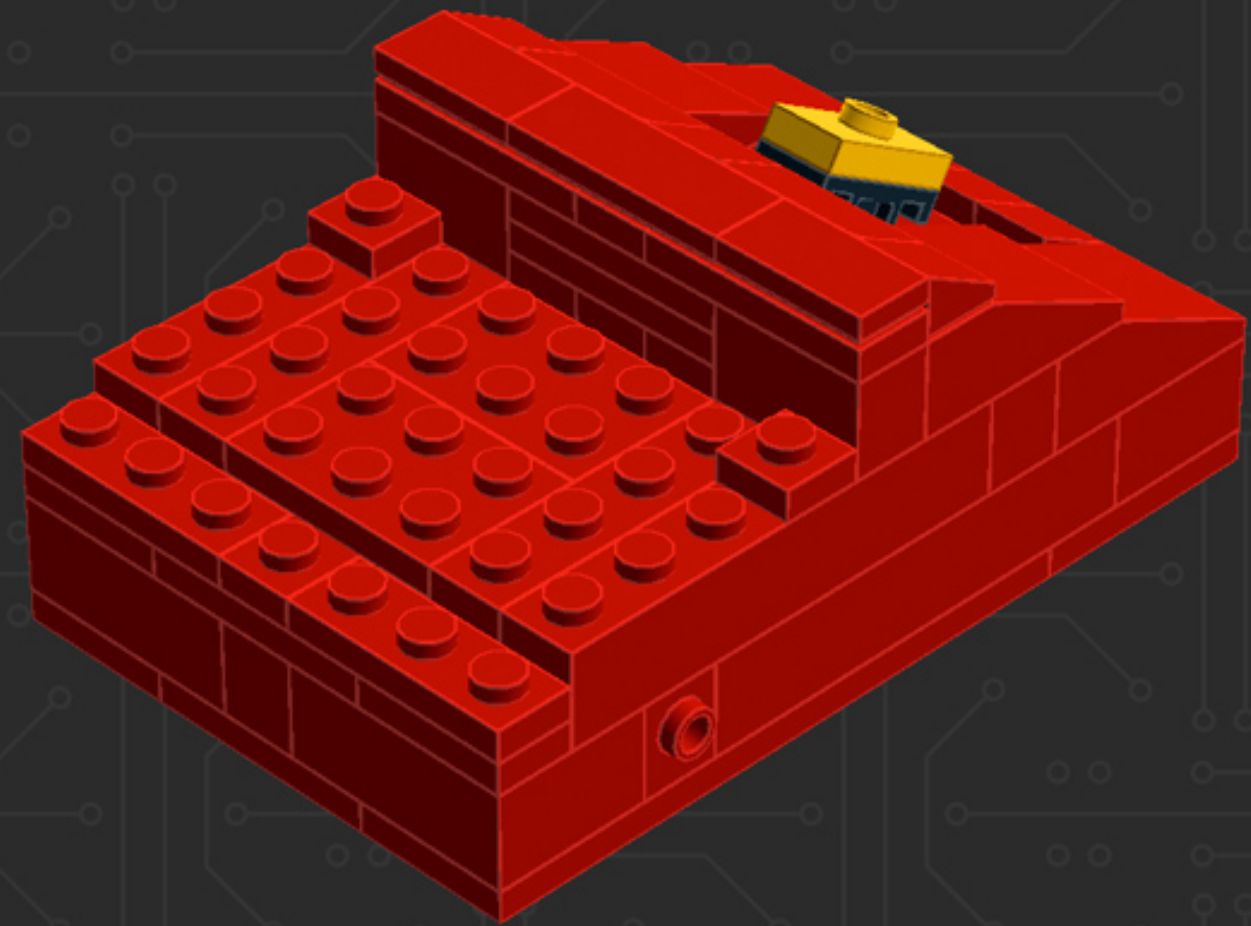


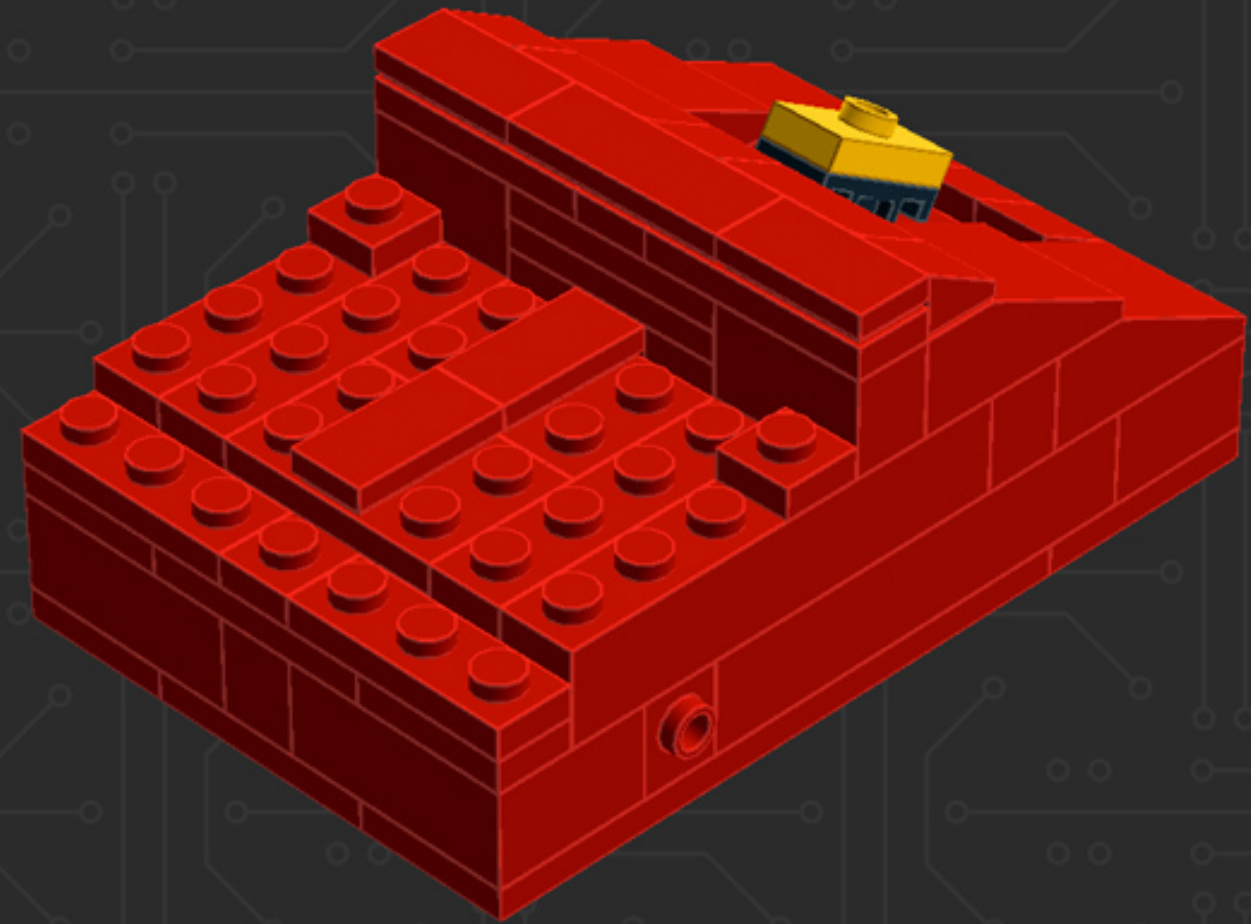


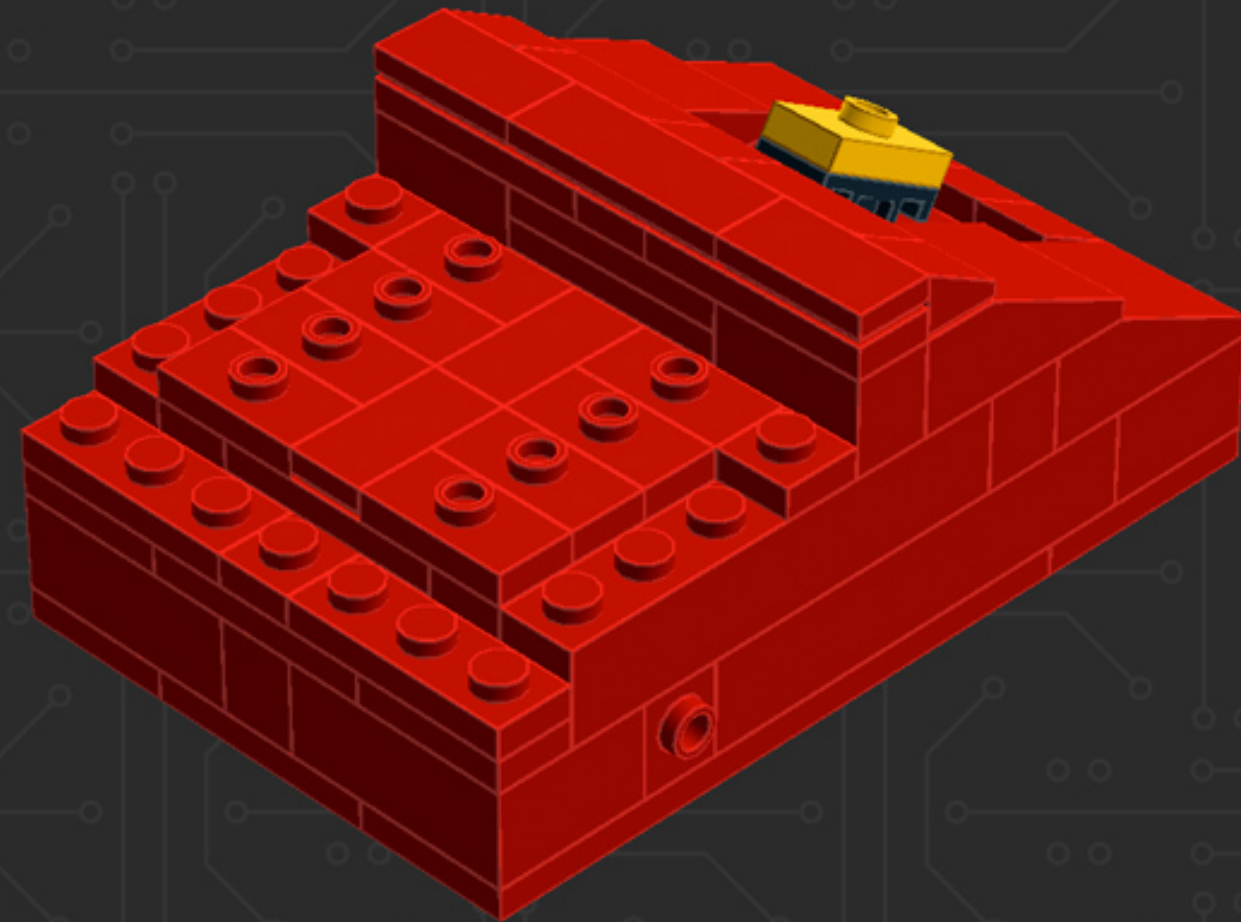


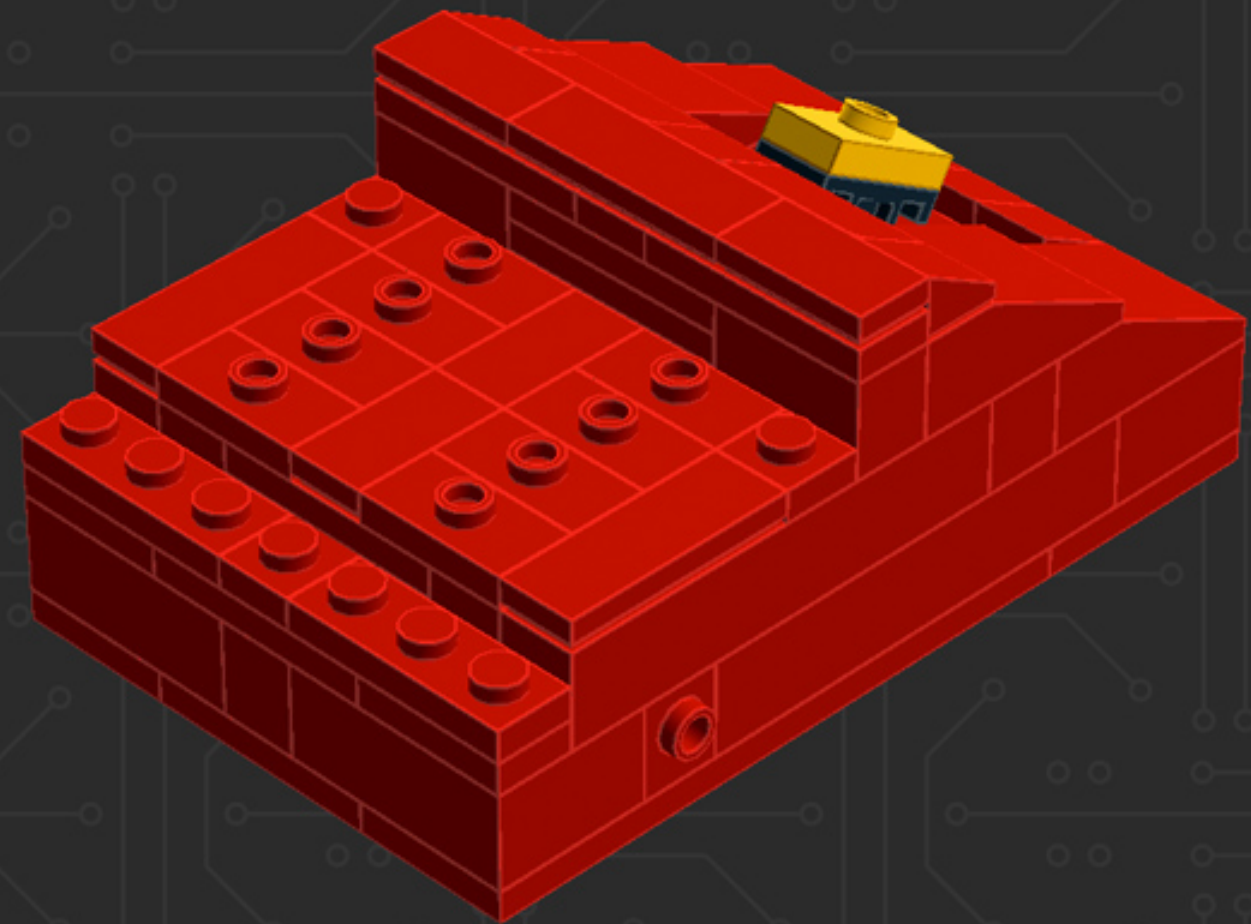


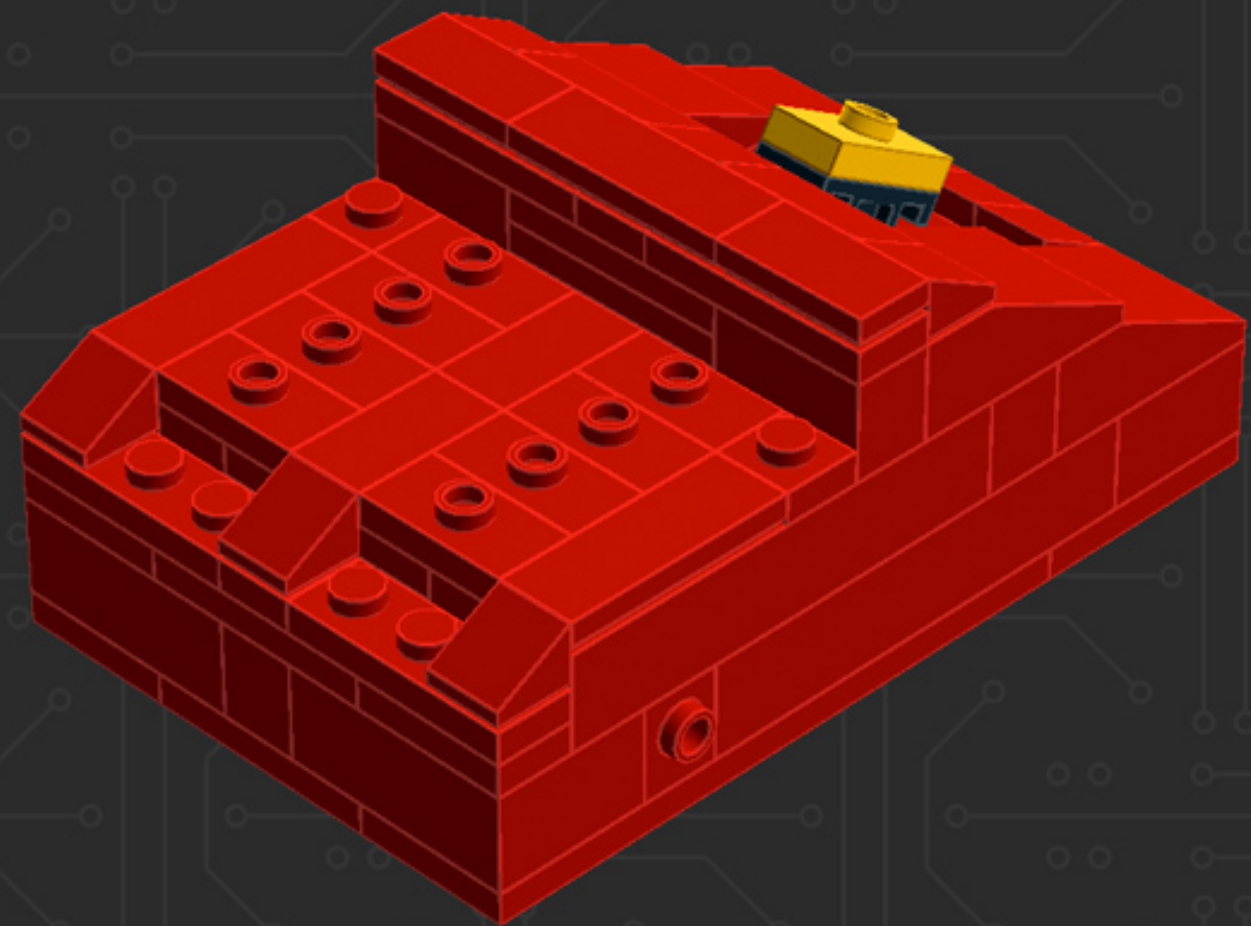


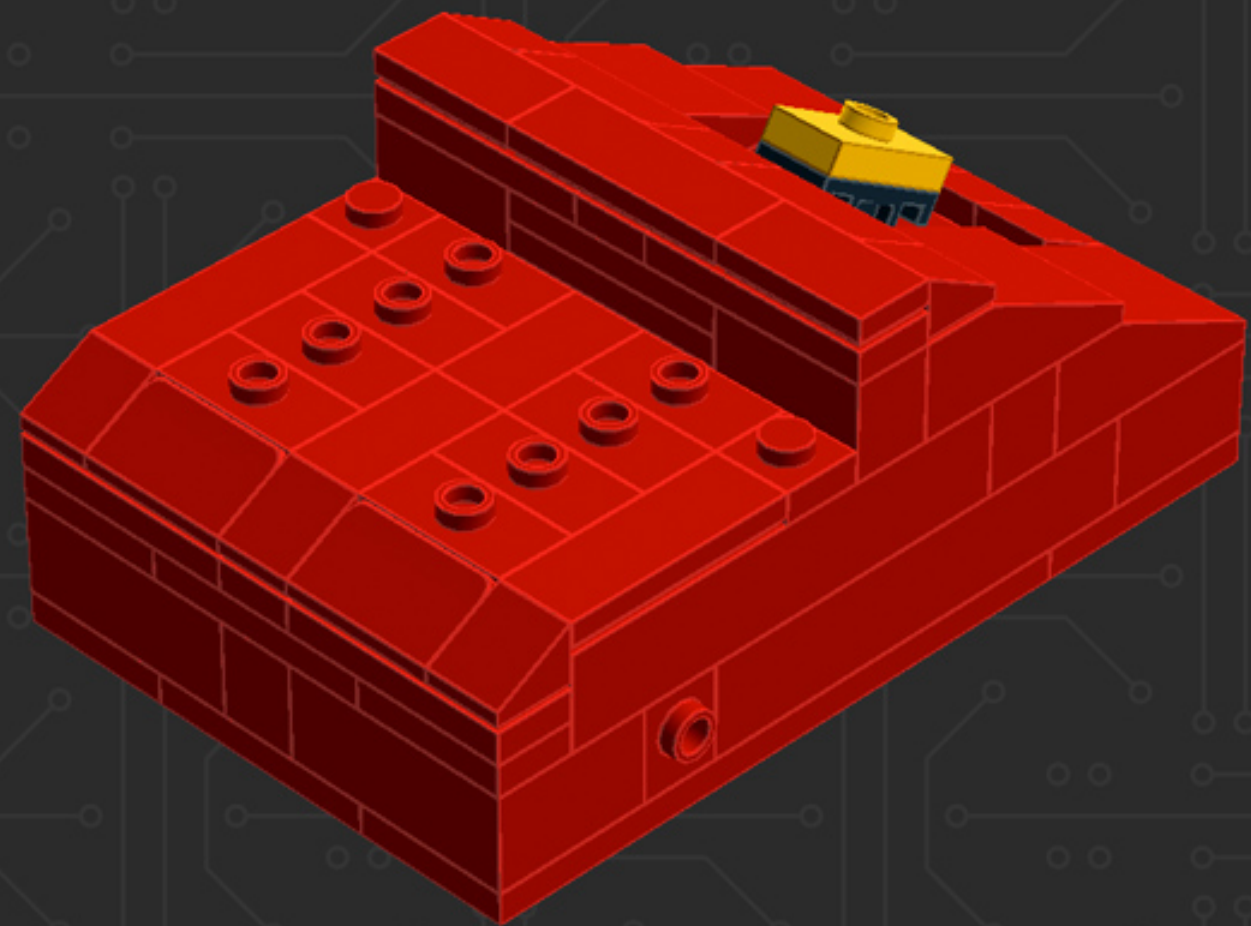


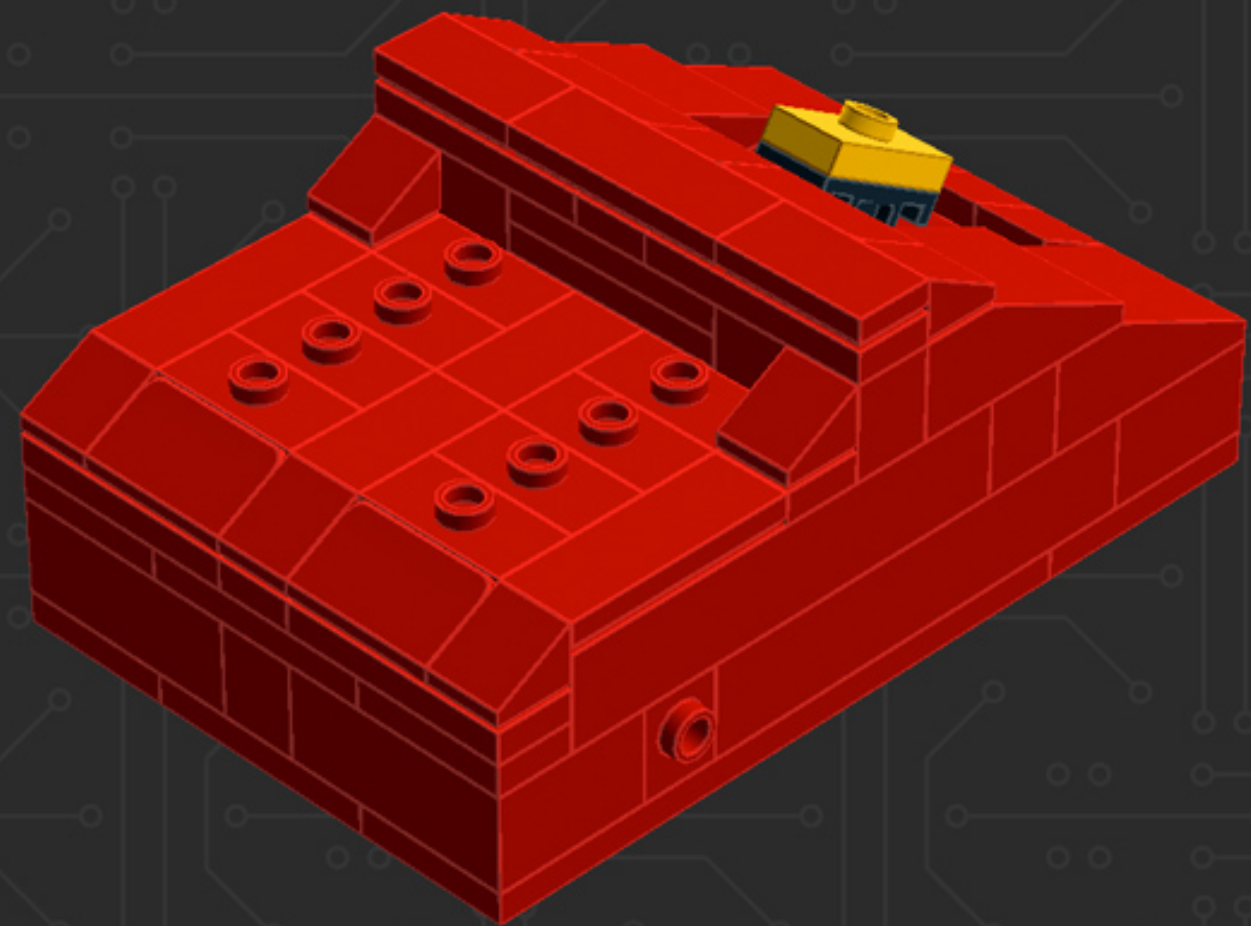


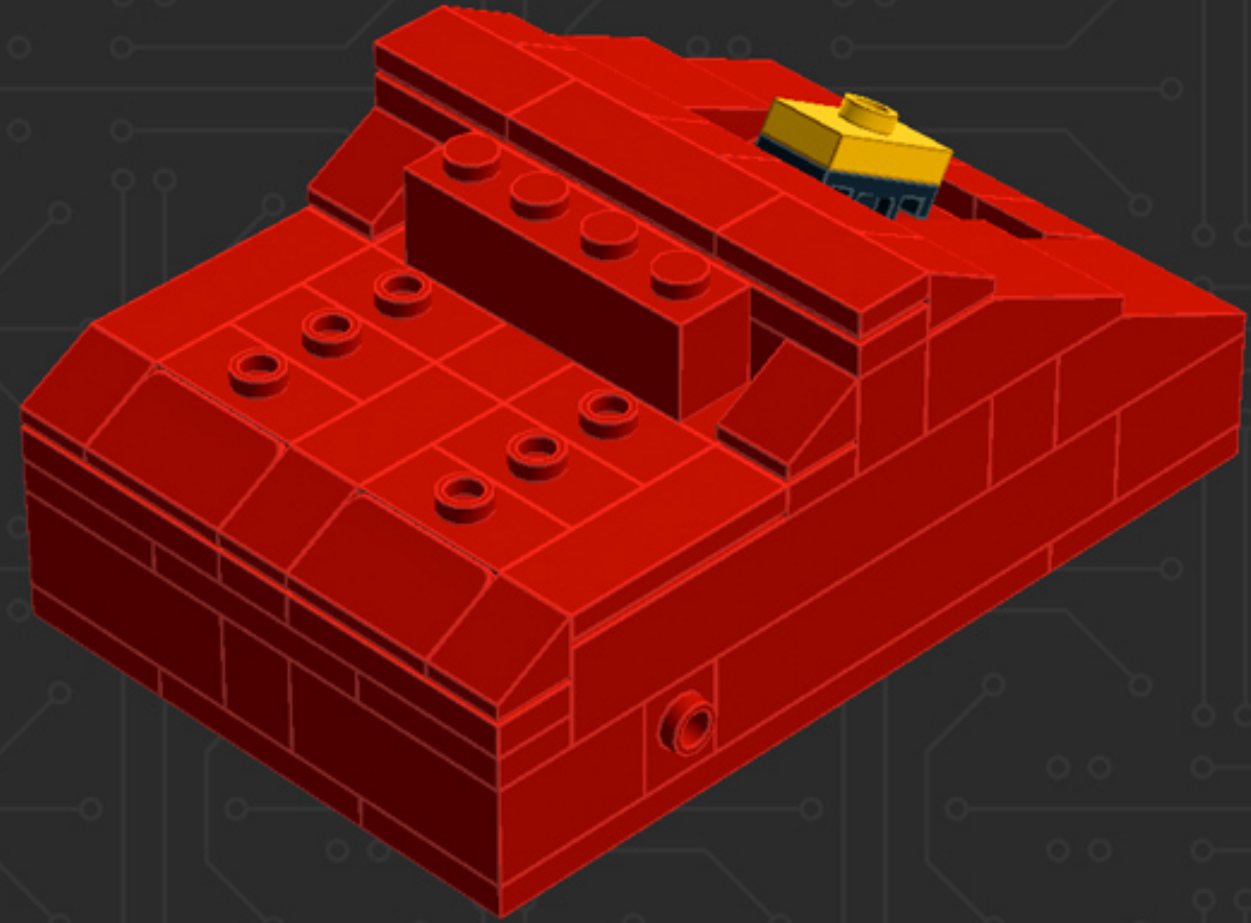


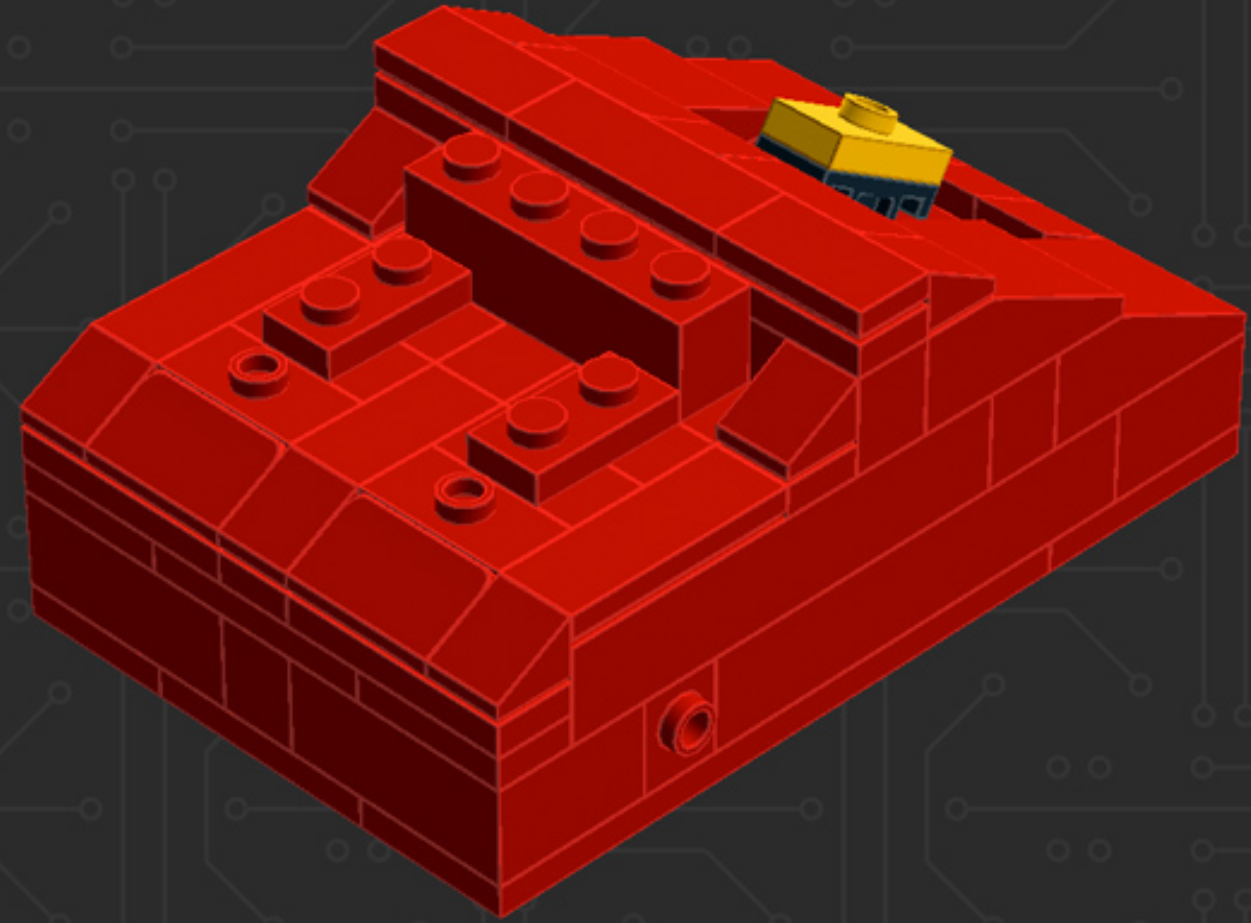


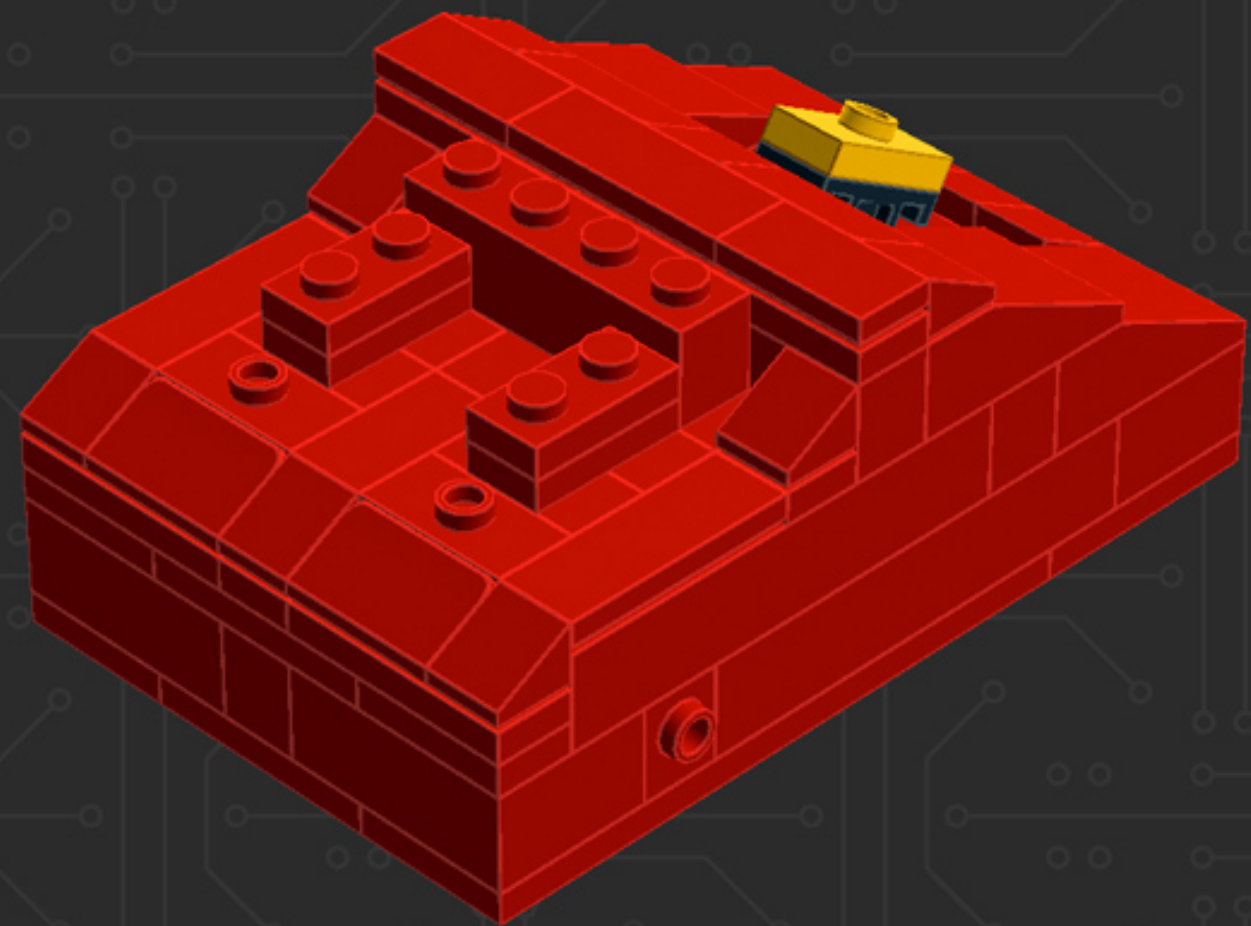


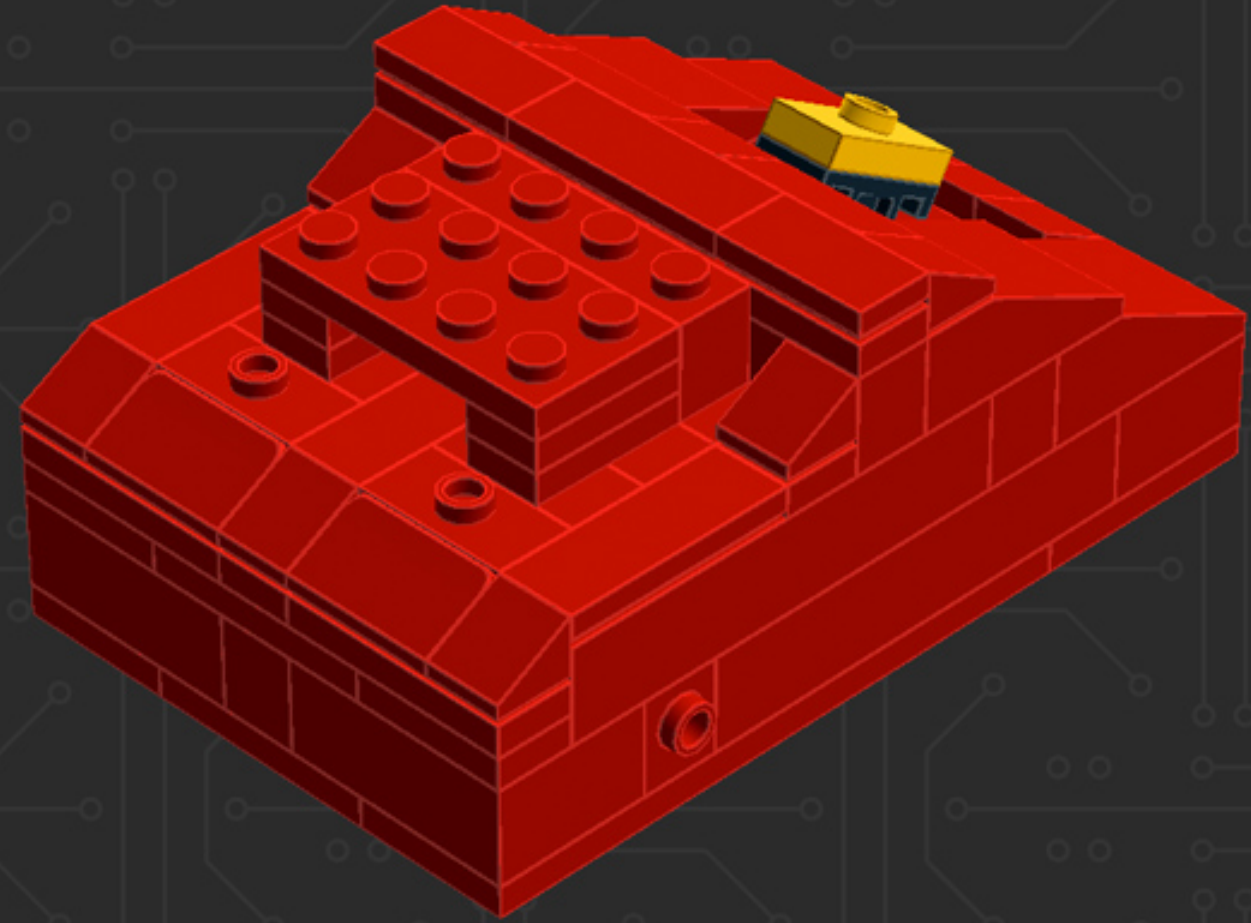


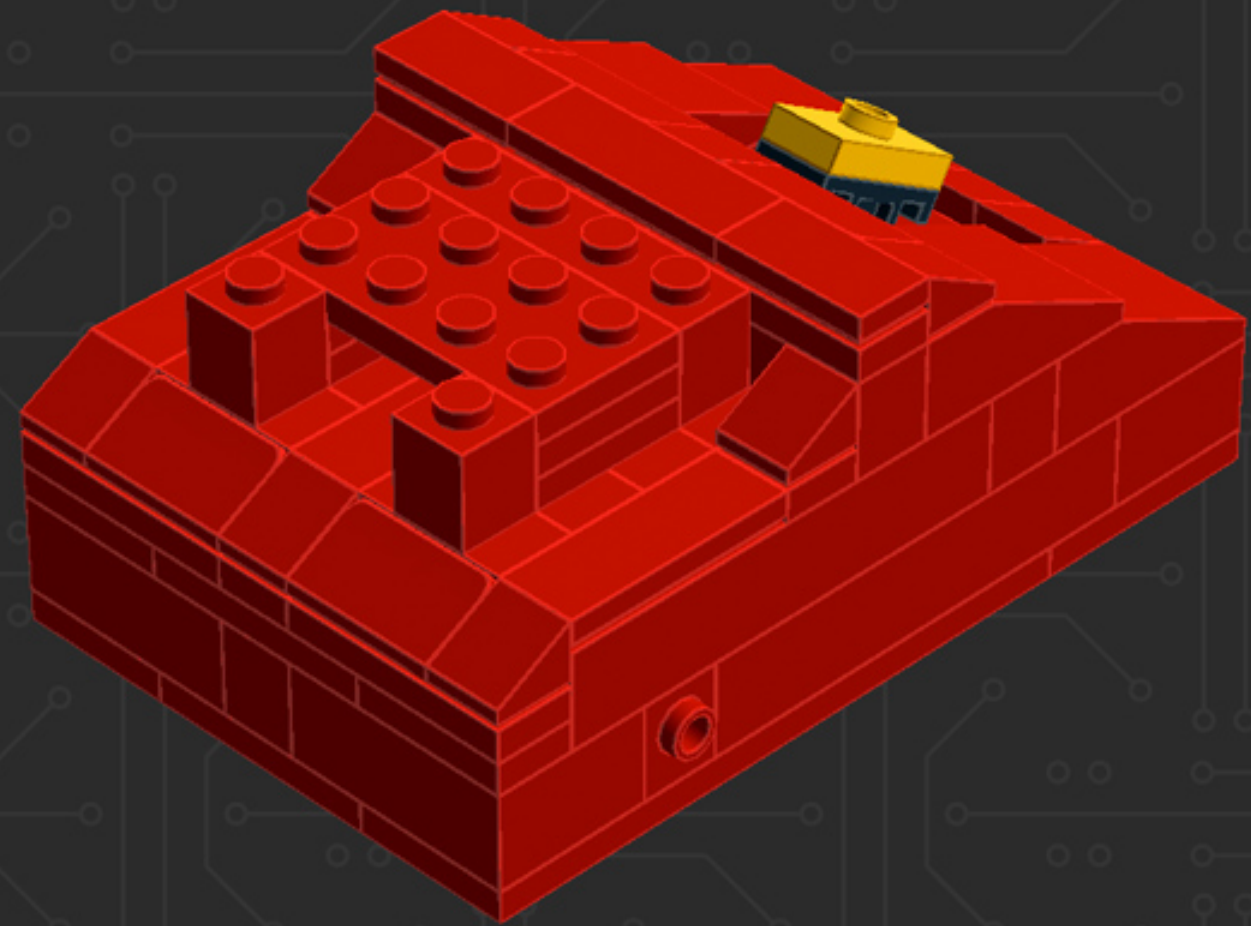


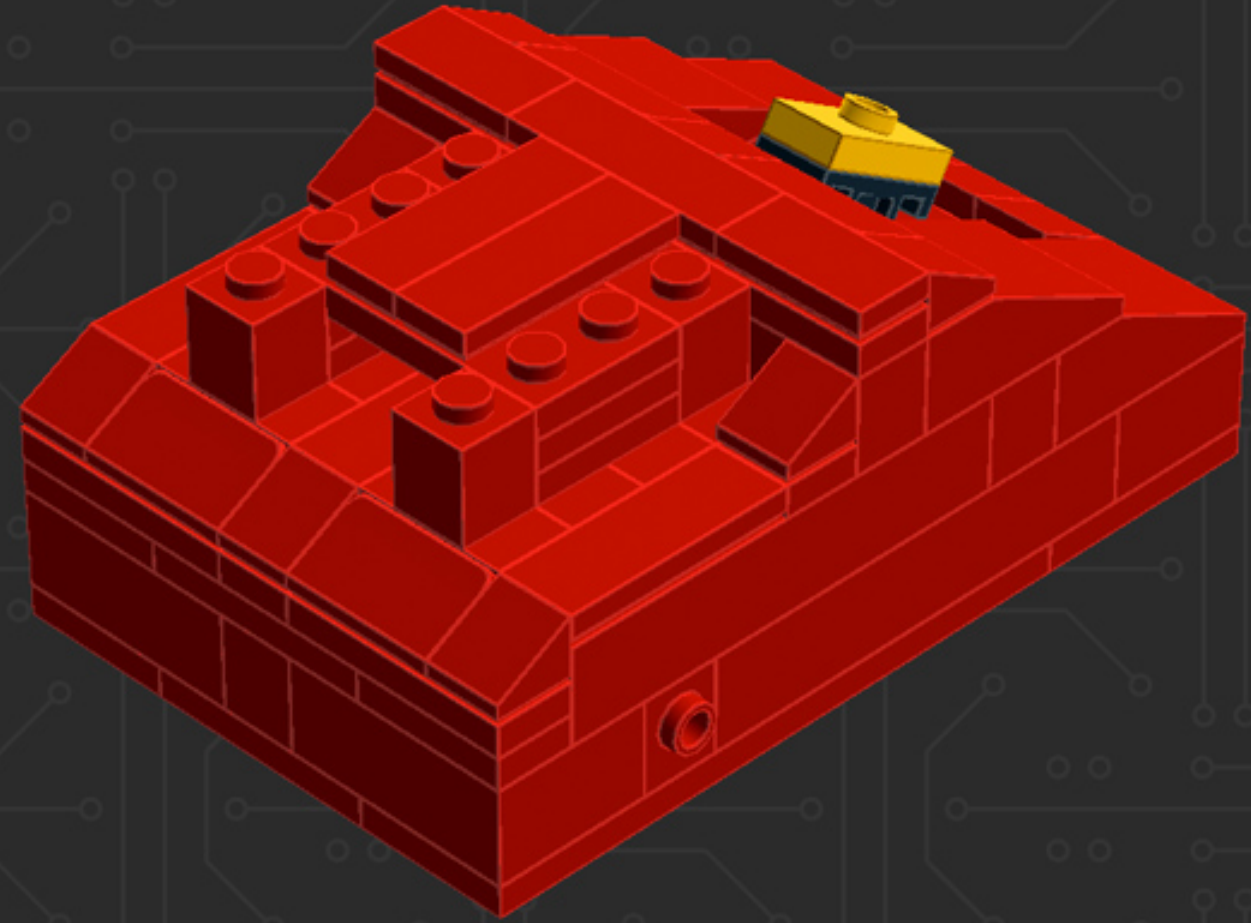


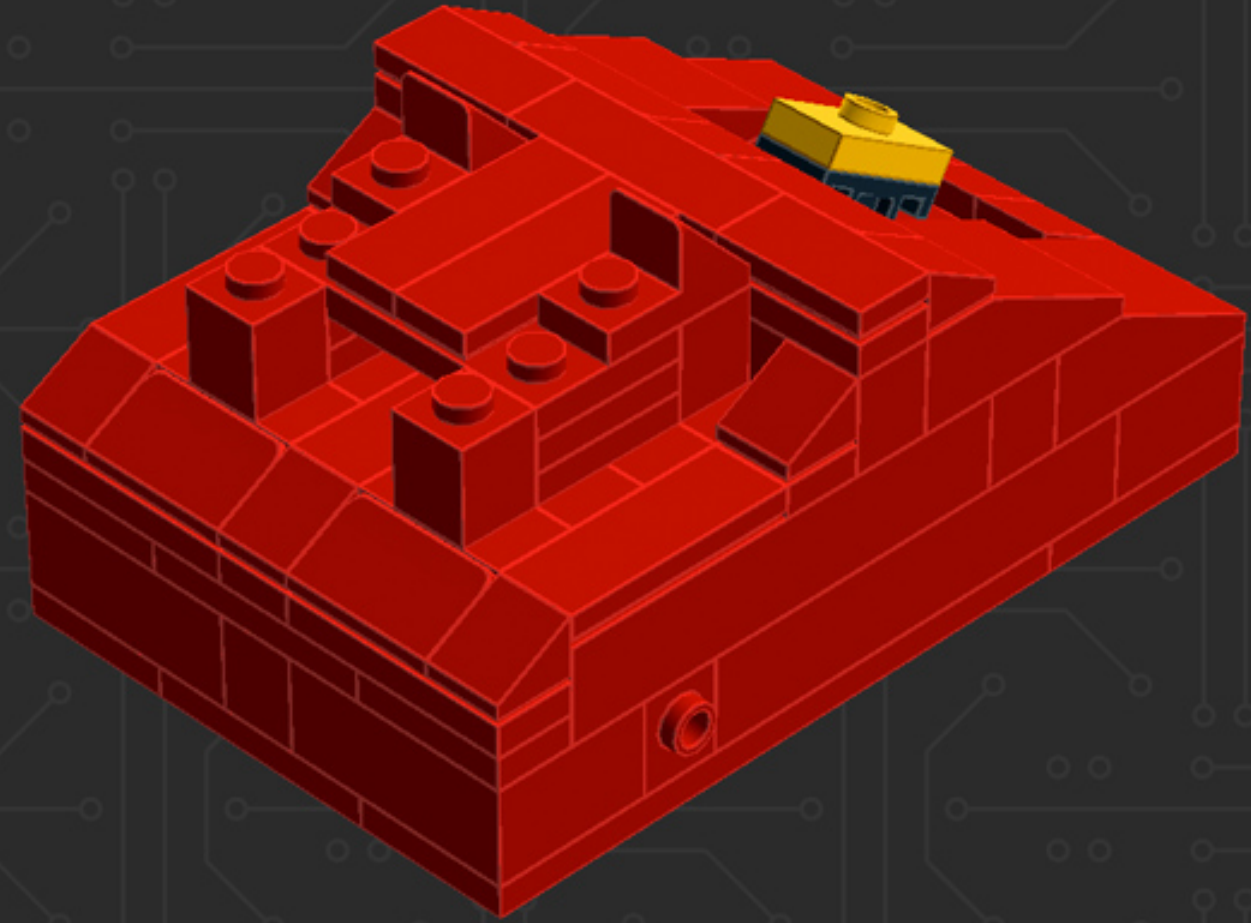


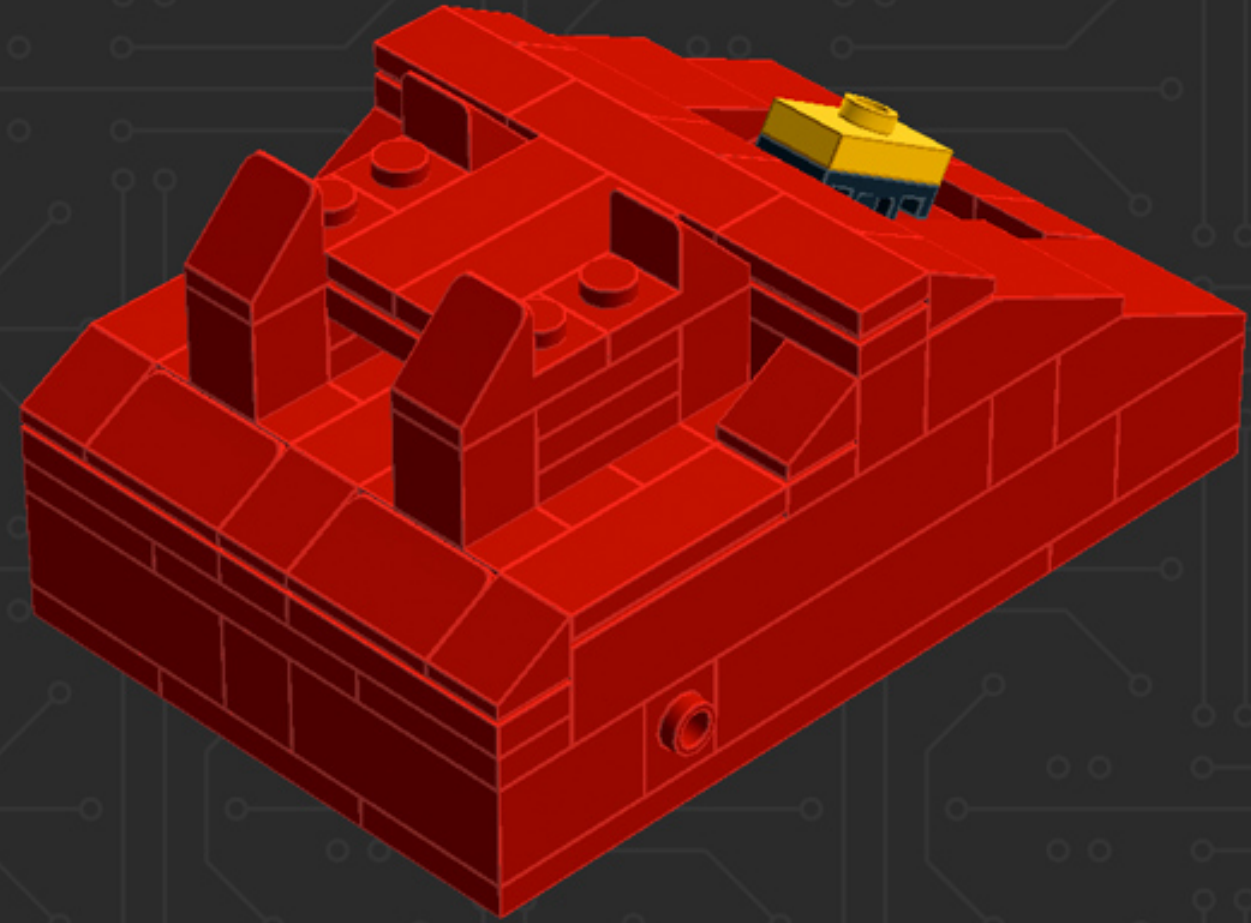


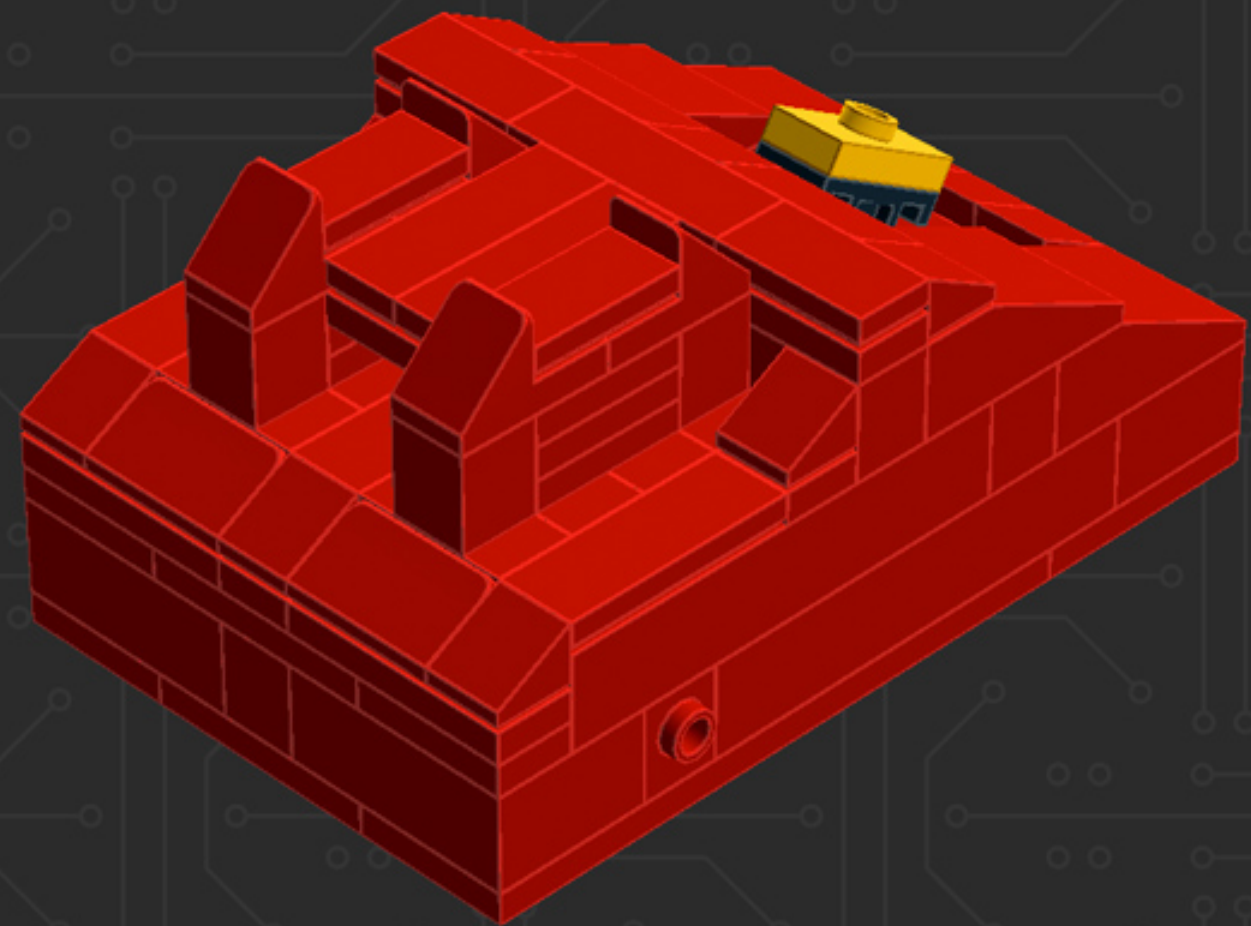


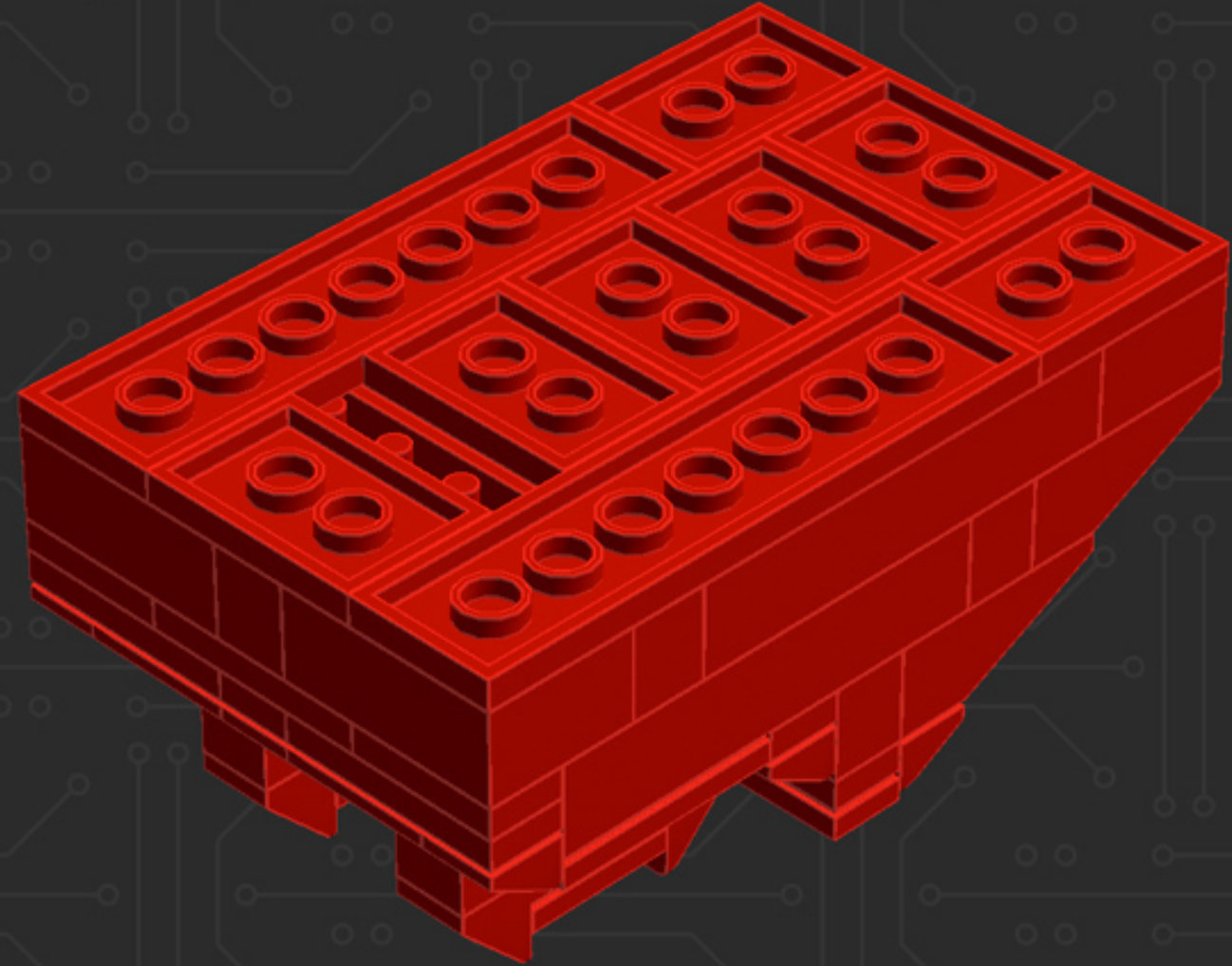


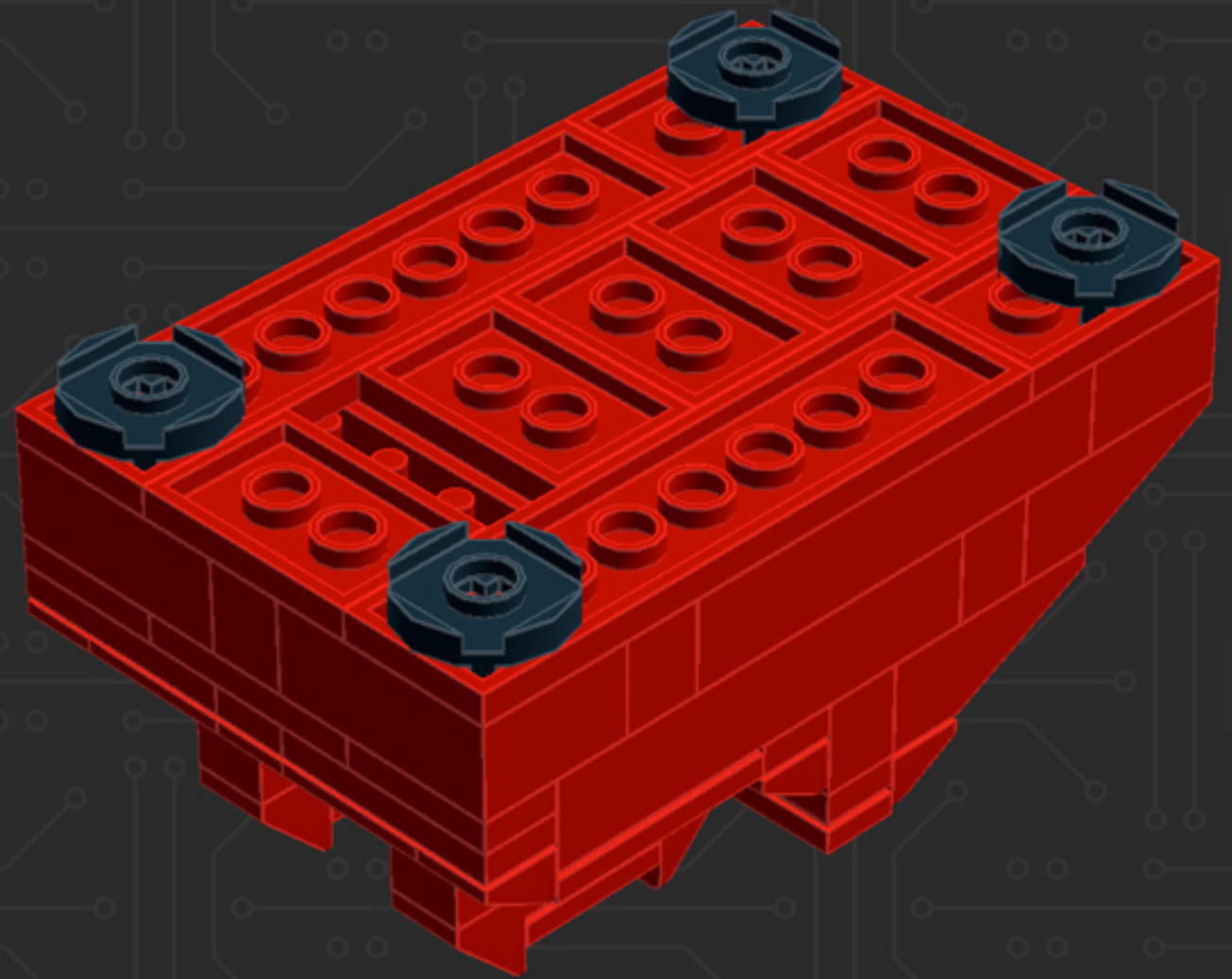


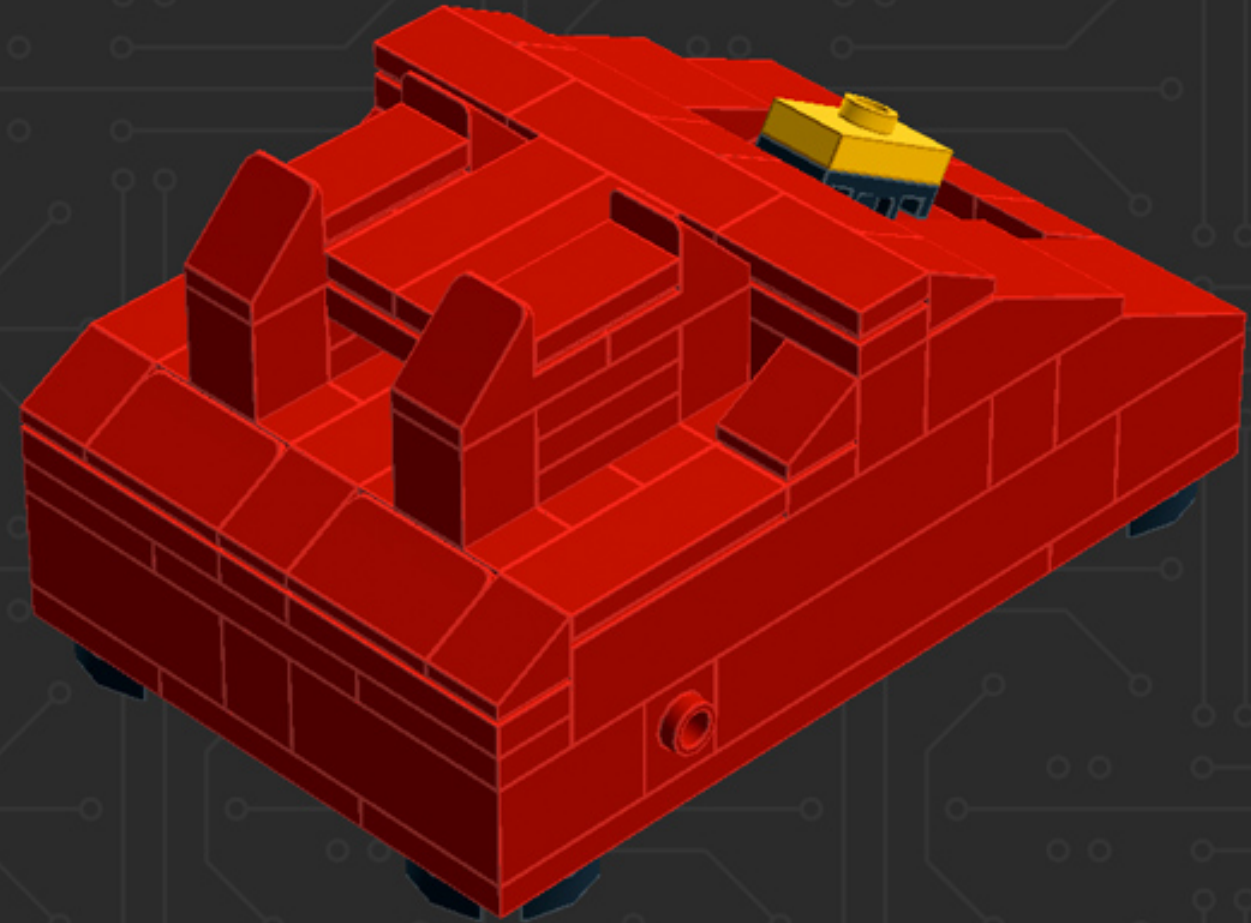






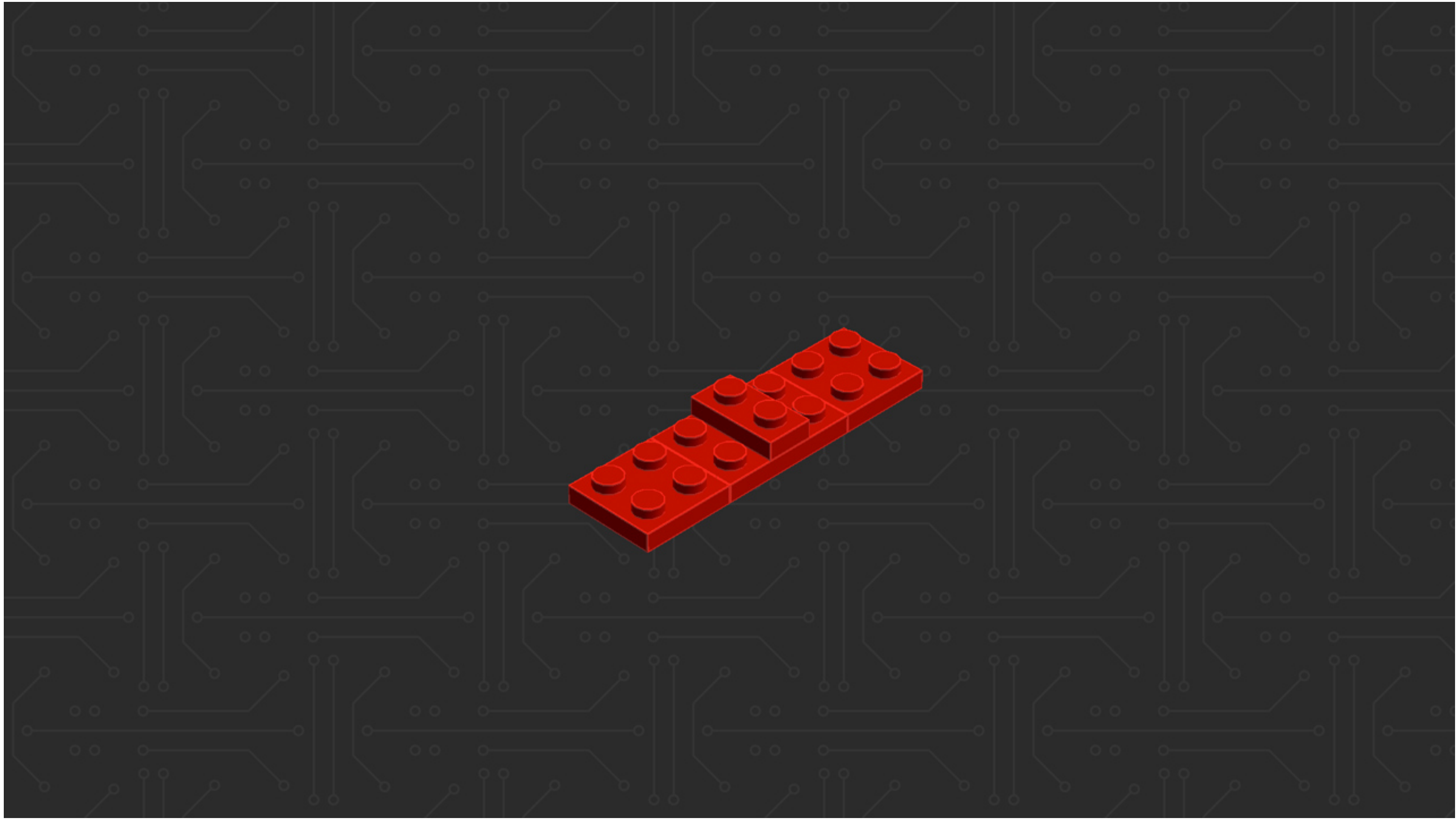


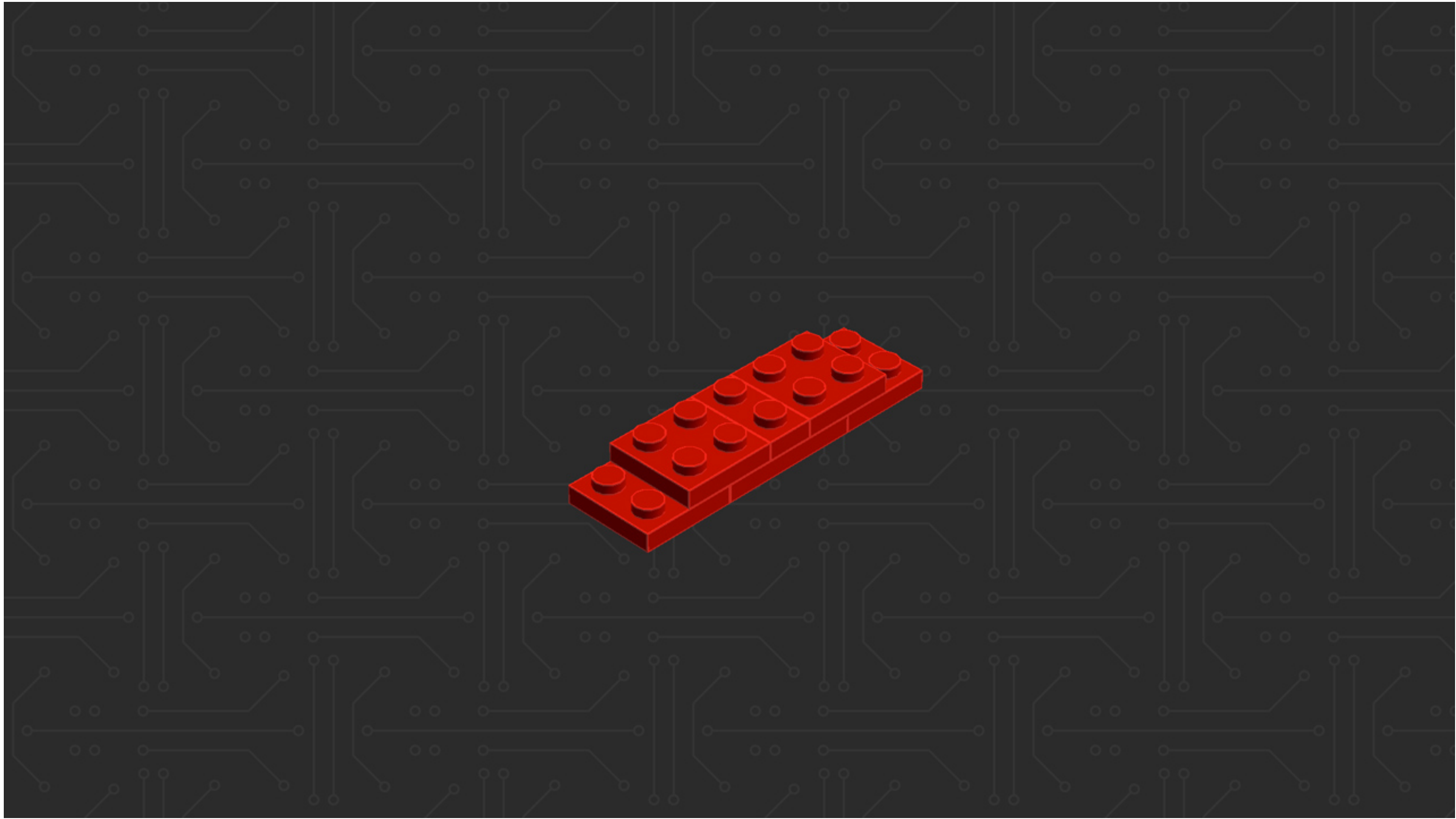


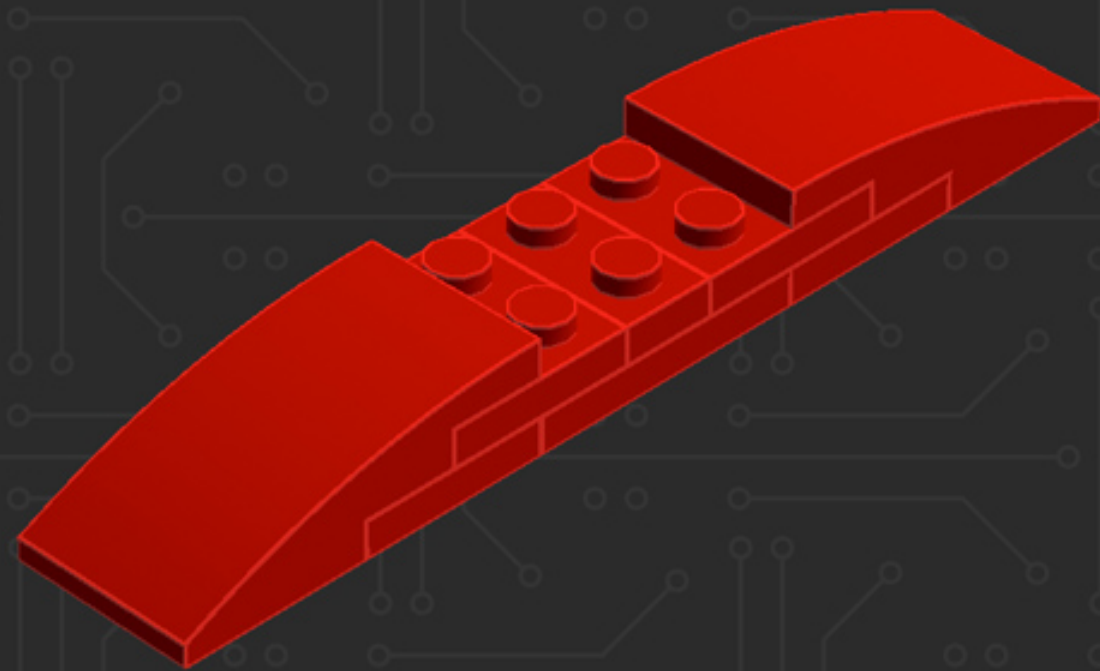


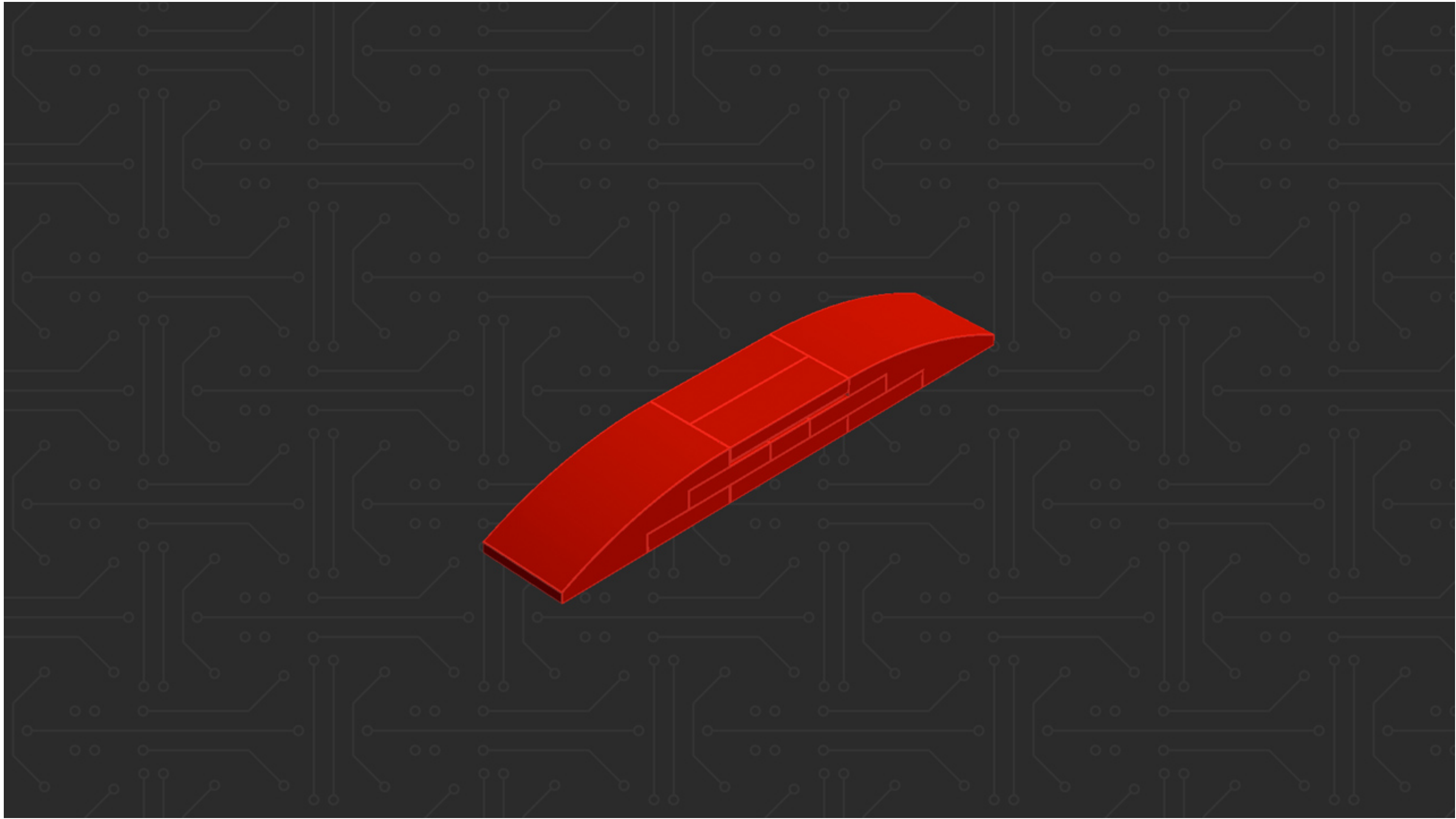




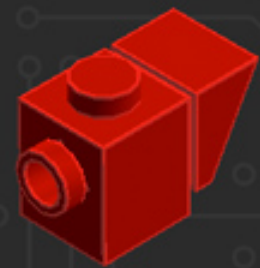


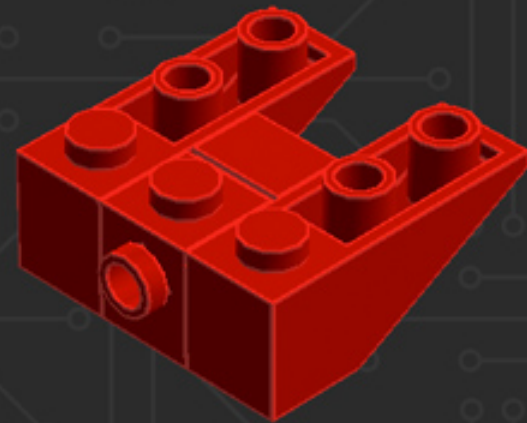


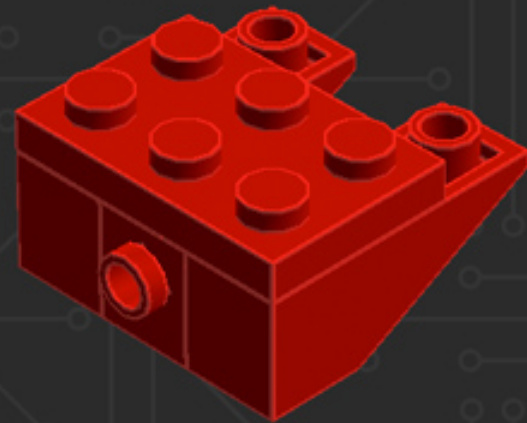


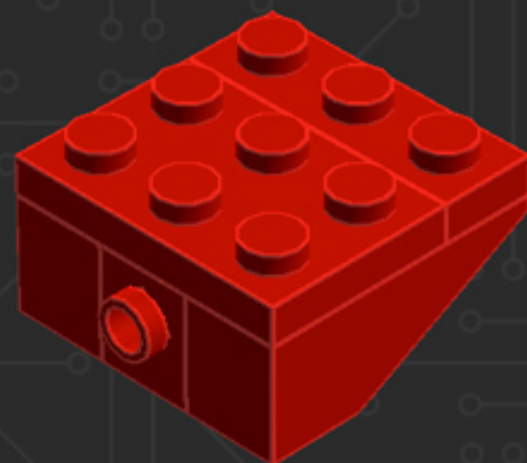


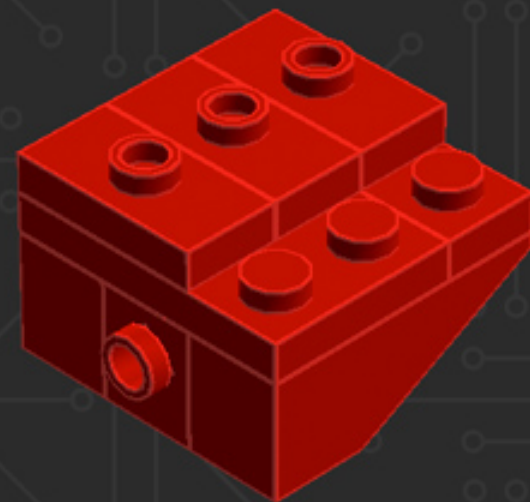


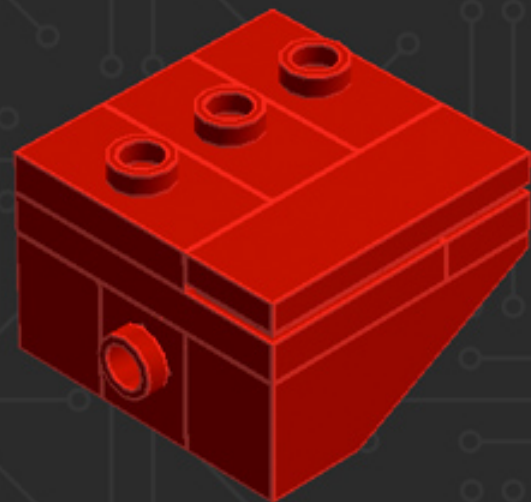




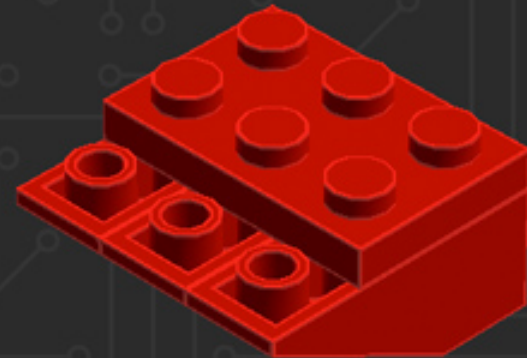


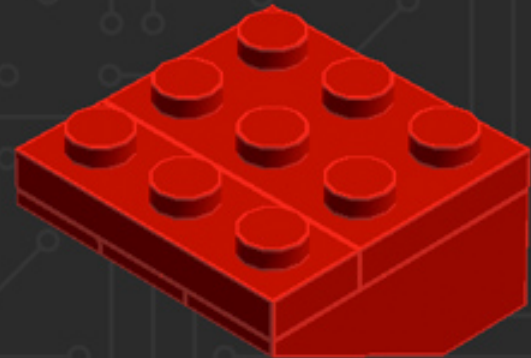


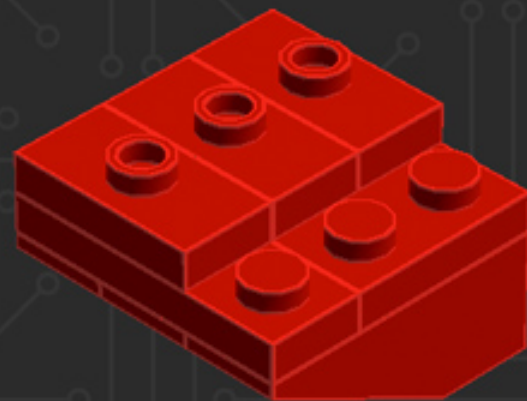


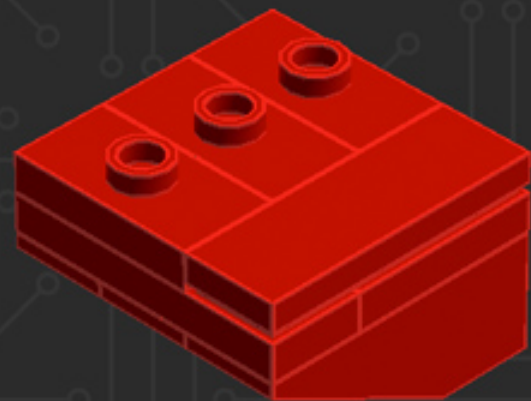


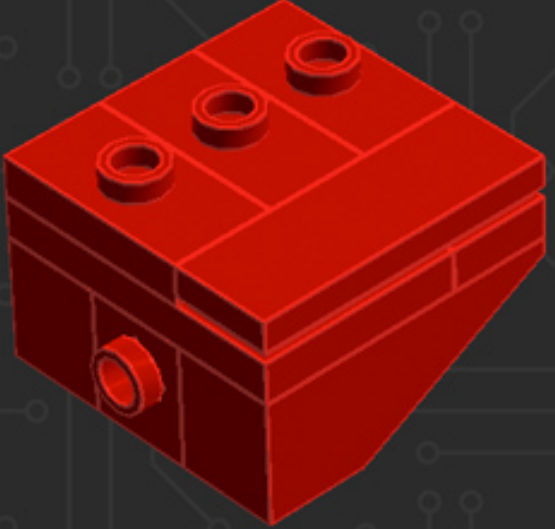
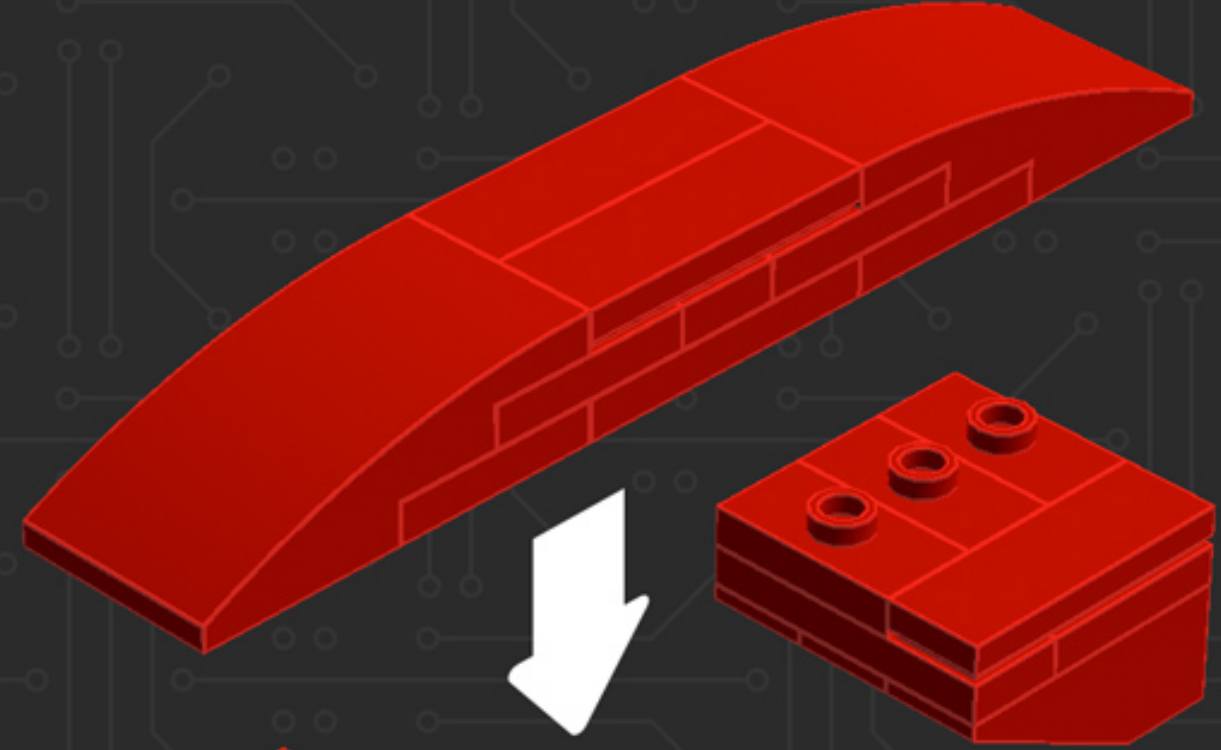


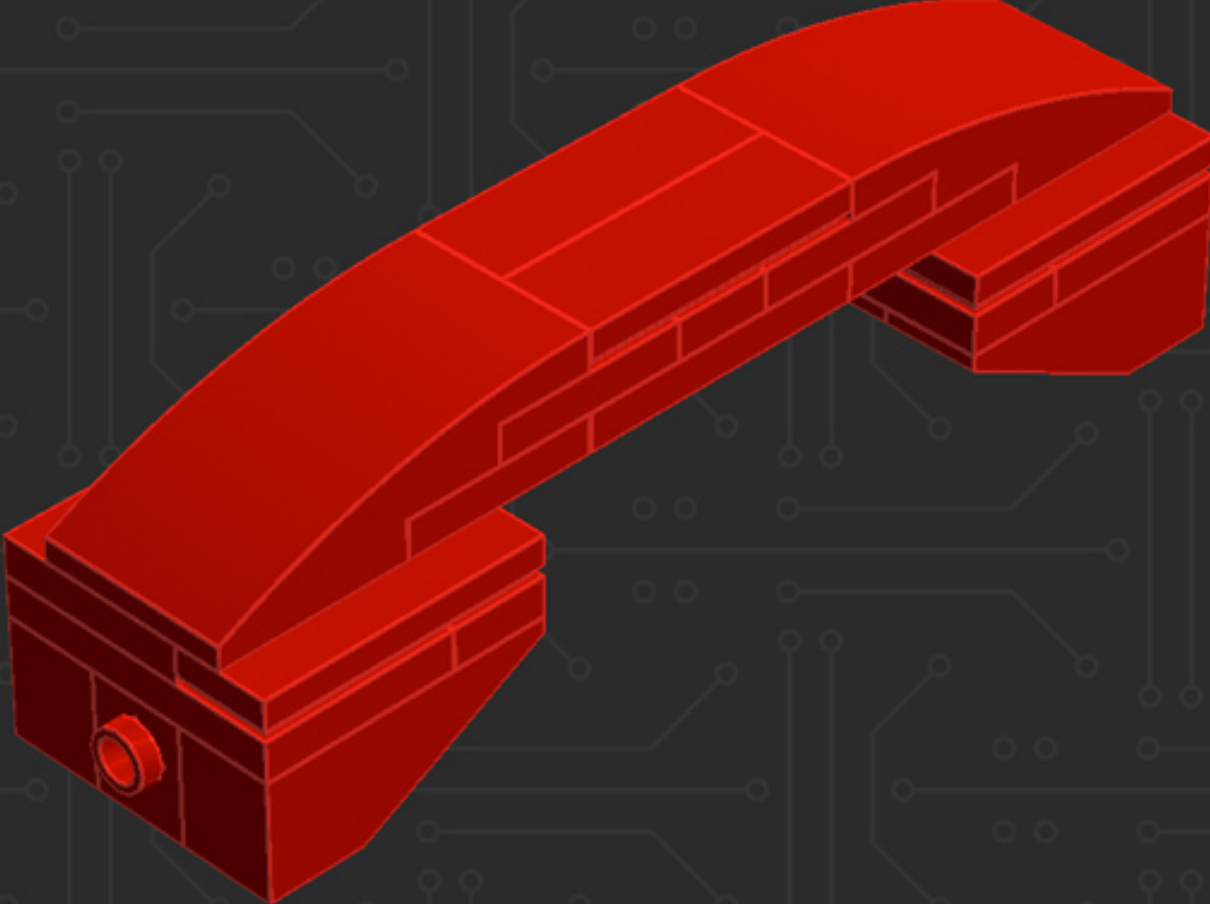


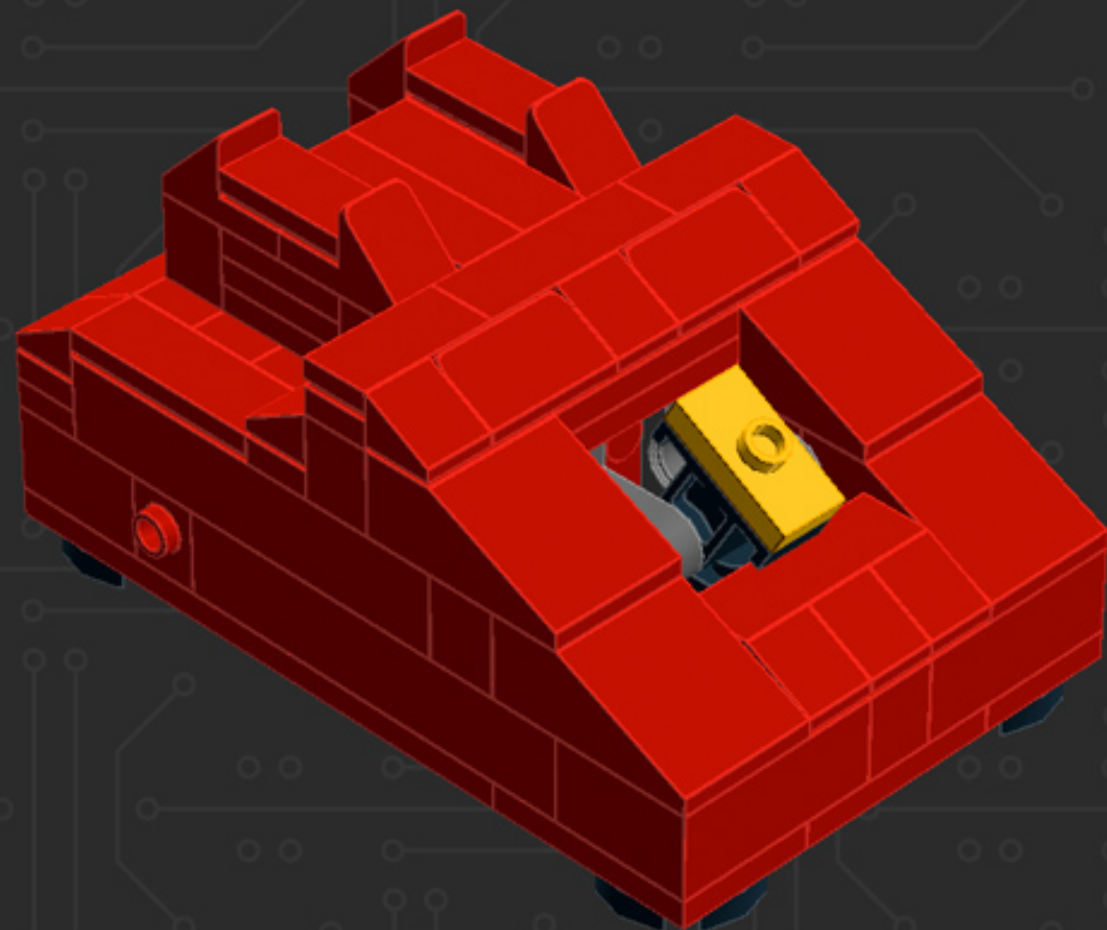


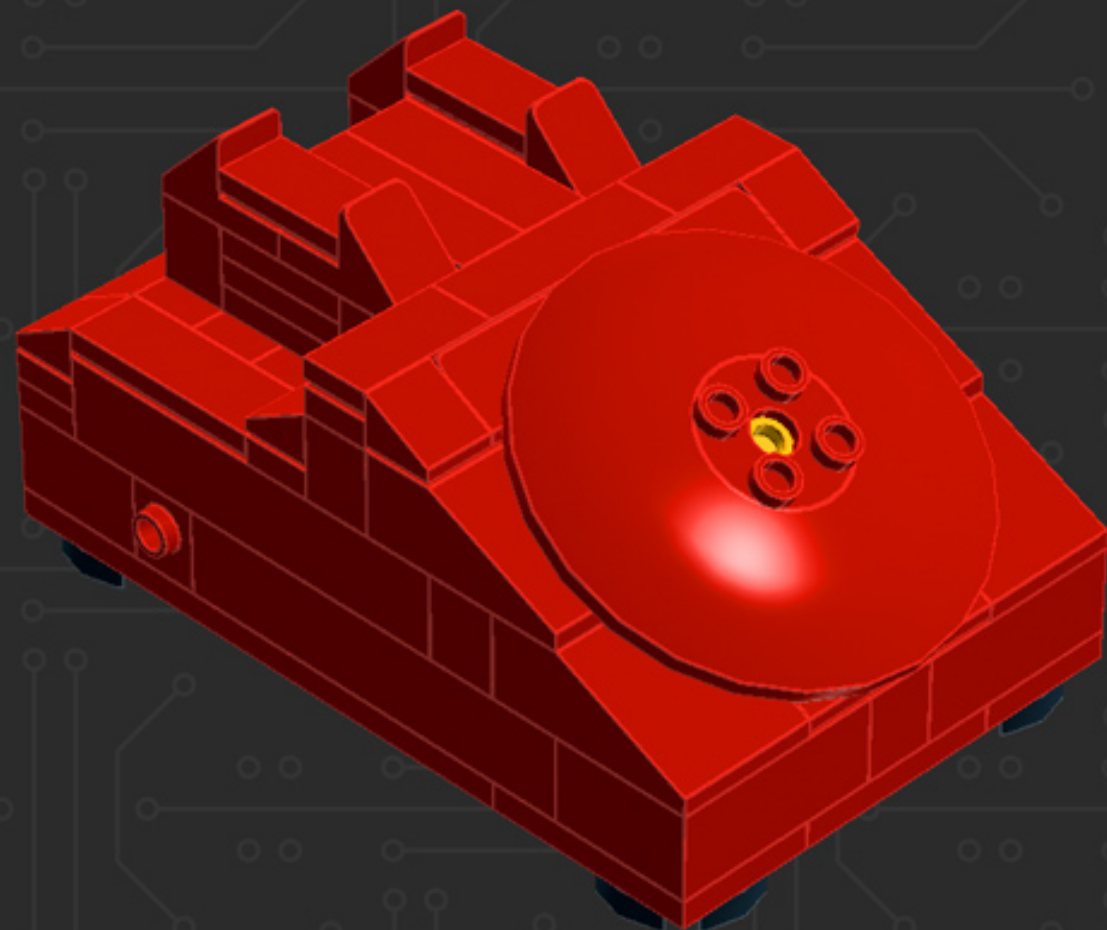


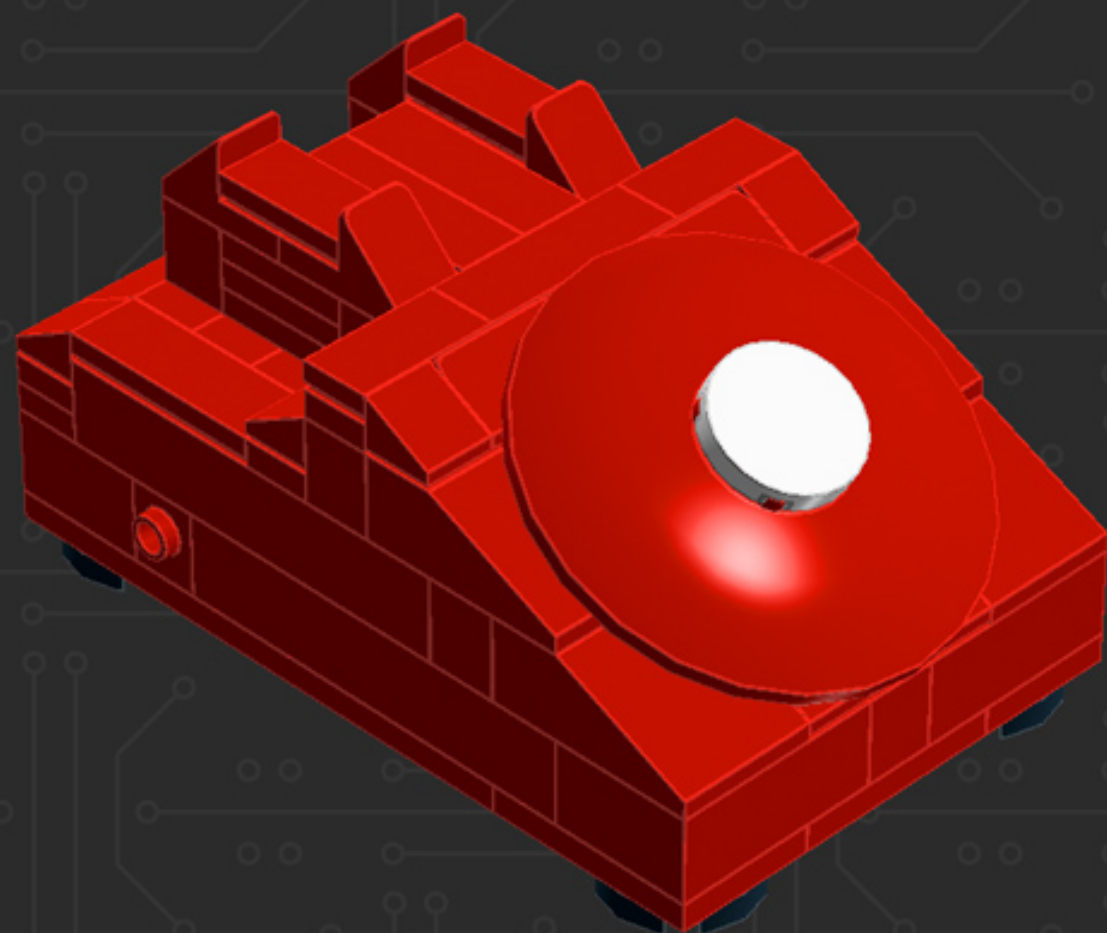


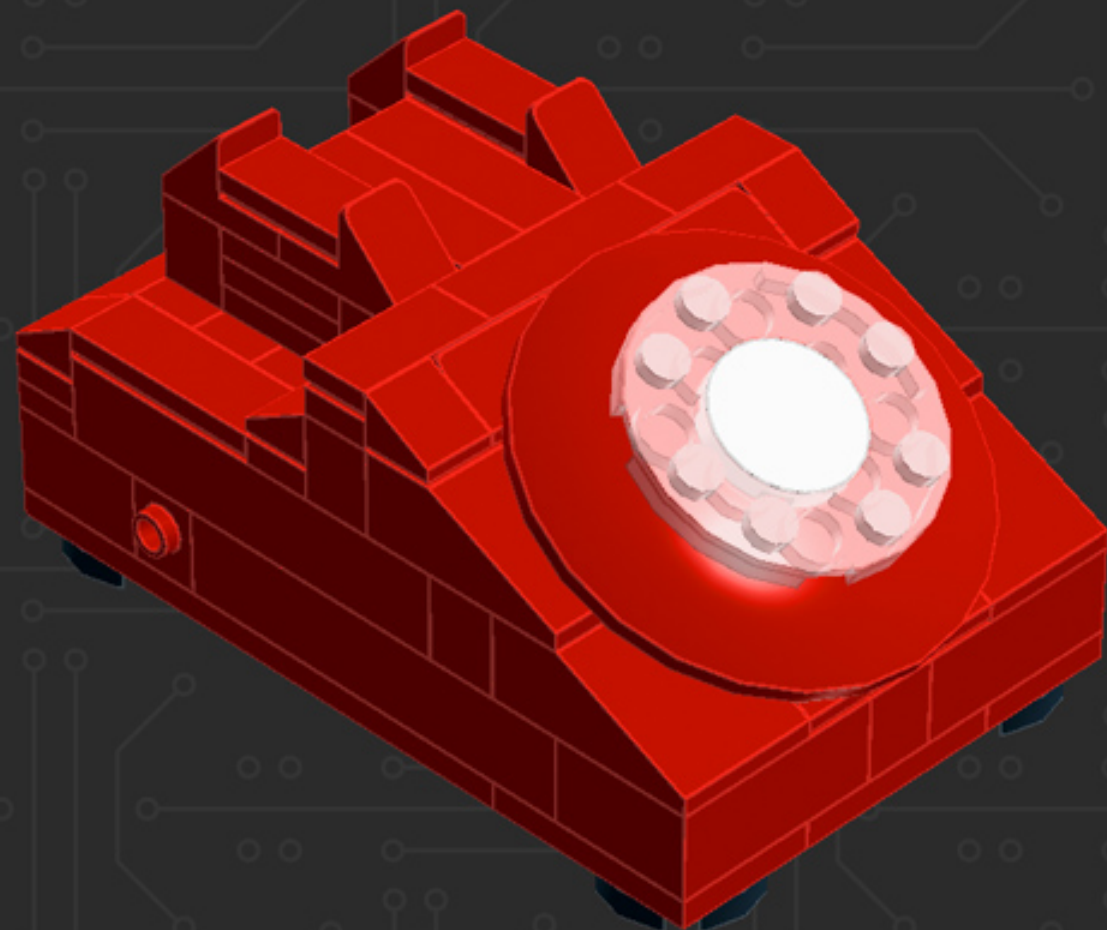


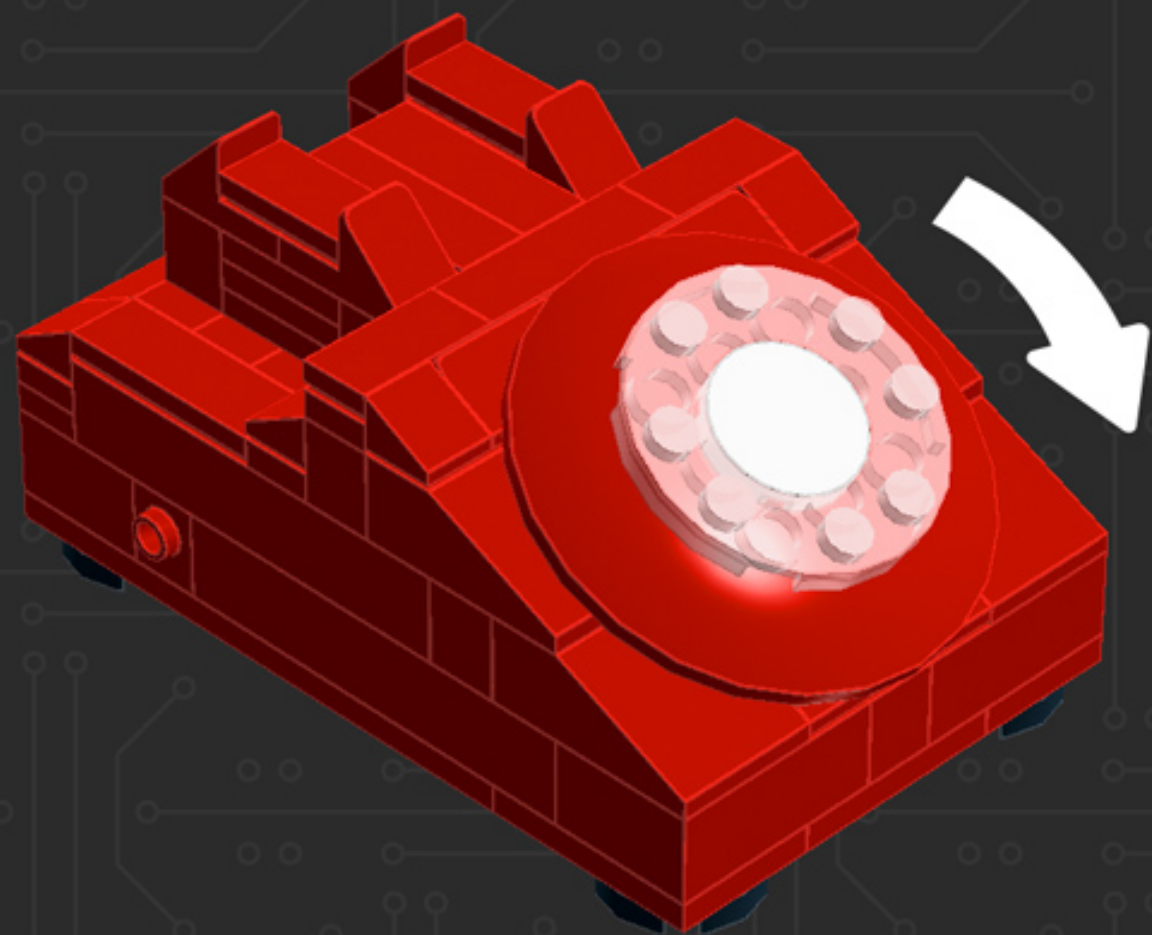


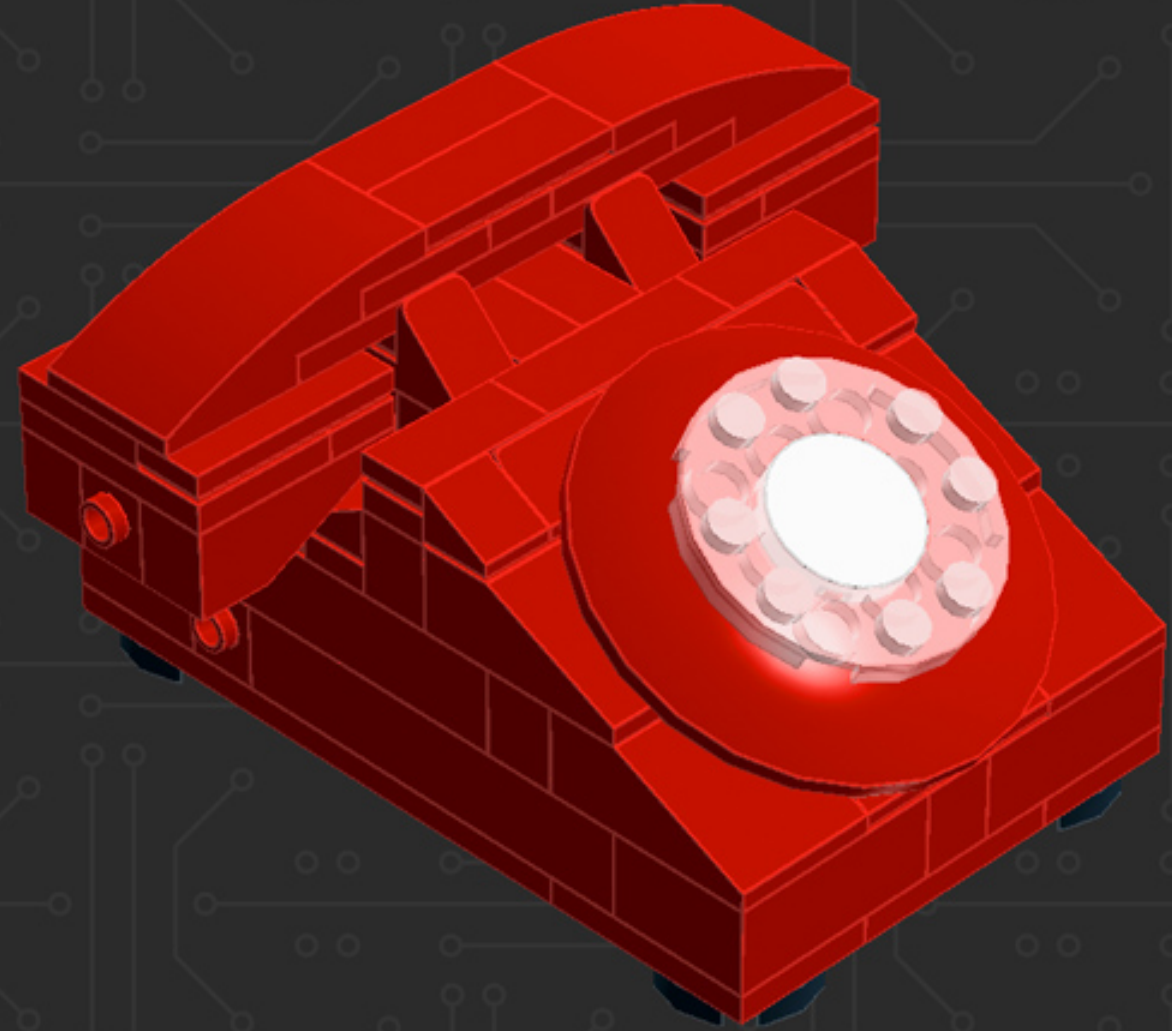
















***For more fun builds,
please pop by chrismcveigh.com,
visit me at facebook.com/c.mcveigh.photos,
or follow me on twitter @actionfigured***

Purchase custom building kits at powerpig.storenvy.com

These building guides are for personal use only. Unauthorized duplication, distribution and/or modification of these guides, in whole or in part, is strictly prohibited. The models contained within these guides are the copyright of Chris McVeigh, unless otherwise stated. Unauthorized reproduction of these models for resale, either in whole or as a building kit, is strictly prohibited.

© 2014 CHRIS MCVEIGH

LEGO is a registered trademark of The LEGO Group.